

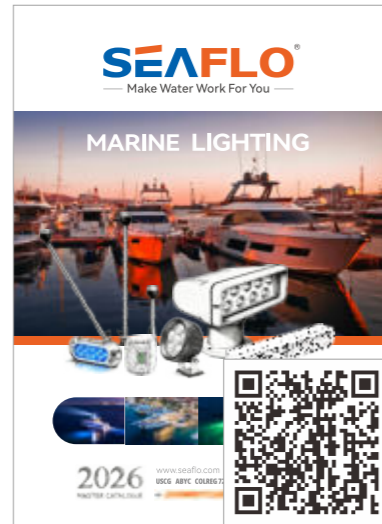
# SEAFLO®

— Make Water Work For You —

## MARINE EQUIPMENT



Marine Equipment  
Catalog Download



Marine Lighting  
Catalog Download



Ultrasonic Defense System  
Catalog Download

# SEAFLO®

— Make Water Work For You —

## FUJIAN AIDI ELECTRIC CO.,LTD.

Office Add: No.520 Hengtian Road, Business Operation Center in North Station, Jimei District, Xiamen, Fujian, China

Factory Add: F2-4 Block, Industrial Park, Liancheng County, Longyan City, Fujian, China

Tel / WhatsApp / Wechat: + 86 13860382108

Web: [www.seaflo.com](http://www.seaflo.com) [www.seaflomariner.com](http://www.seaflomariner.com)

E-mail: [business@seaflo.com](mailto:business@seaflo.com)



Wechat



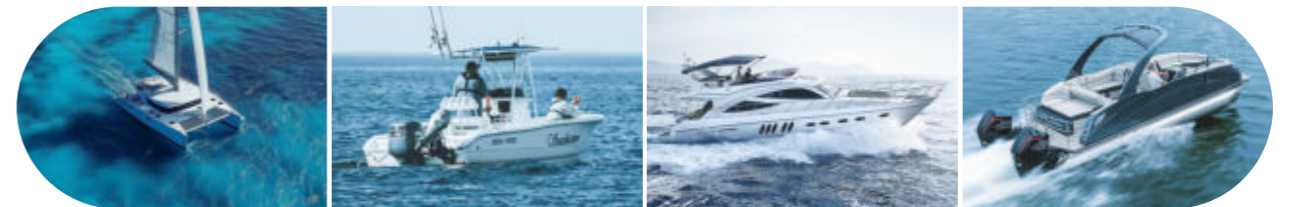
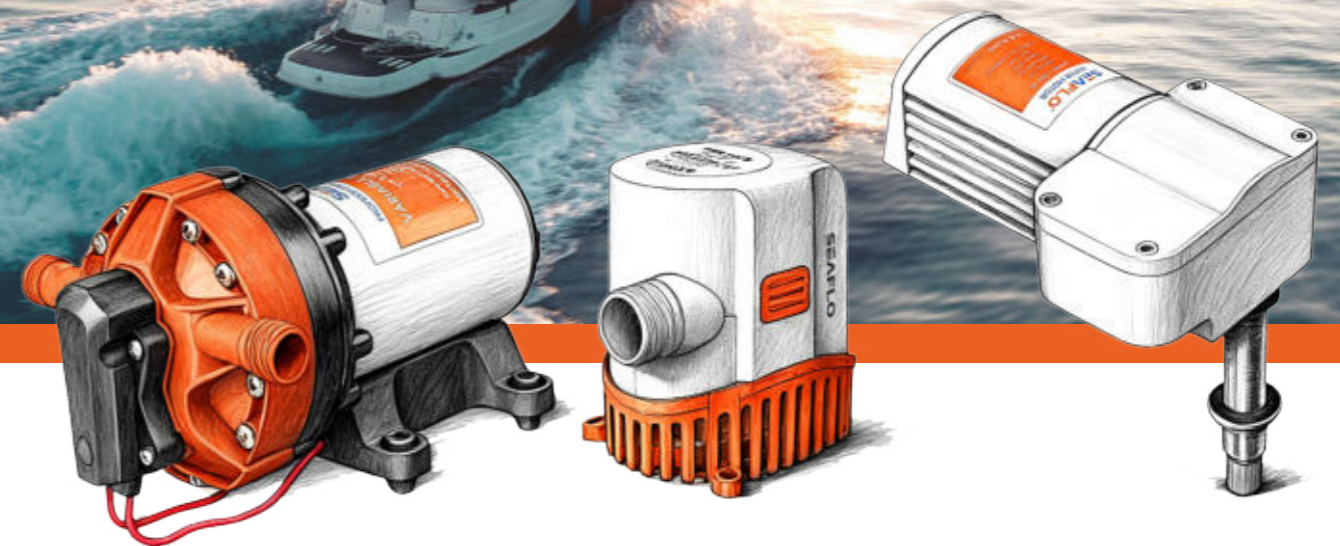
Website



WhatsApp

### ACCURACY AND COMPLETENESS OF INFORMATION

All information in this literature regarding products and services provided by SEAFLO is subject to change without prior notice. Reasonable efforts are taken to ensure the accuracy and integrity of all information provided here, but SEAFLO is not responsible for misprints, out-of-date information, or errors. SEAFLO makes no warranty, express or implied, or assumes any legal liability or responsibility for the accuracy or completeness of any information contained in this literature.



# 2026

MASTER CATALOGUE

[www.seaflo.com](http://www.seaflo.com)

SP CE UK PAHS R6HS REACH LFGB ISO8846 ISO8849



**2008**

Brand Created in

**4 Million**

Annual Capacity

**160,000**

Square meters

**1000+**

Customers

**240+**

Patents

SEAFLO group is an ISO 9001, BSCI certified, professional marine & RV integrated accessories solution and outdoor solution provider and manufacturer. We have 3 production bases, 3 modern standard workshops of 50,000 square meters, and more than 200 employees. SEAFLO products and brand is deeply engaged in Marine, RV and outdoor market for more than a decade. We offer professional and reliable service with the cost-effective products of SEAFLO brand and private branding for our partners.

We serve more than 1000 customers in over 100 countries all over the world. We are committed to build a strong and senior technical personnel of research & development team.

We have obtained more than 200 domestic and international patents, and our products have passed CE, UKCA, LFGB, USCG, ABYC, COLREG 72, ROHS, ISO 8846 and ISO 8849, CSA, Reach, PAHs and other international certifications.

**Our Mission:** A community of ordinary people, buiding an extraordinary company with value and warmth.

**Our Vision:** To become a globally influential brand that leads sustainable growth through 2050 and beyond.(2020-2050)

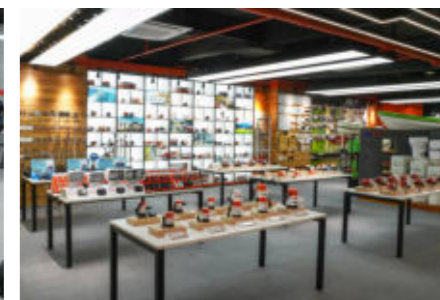
**Our Values:** Time Tests Value. Co-creation Shapes Tomorrow. -Learning, Growing, Giving Thanks, Winning Together.



Xiamen R&D Center



Sales Center



Showroom



Production Line



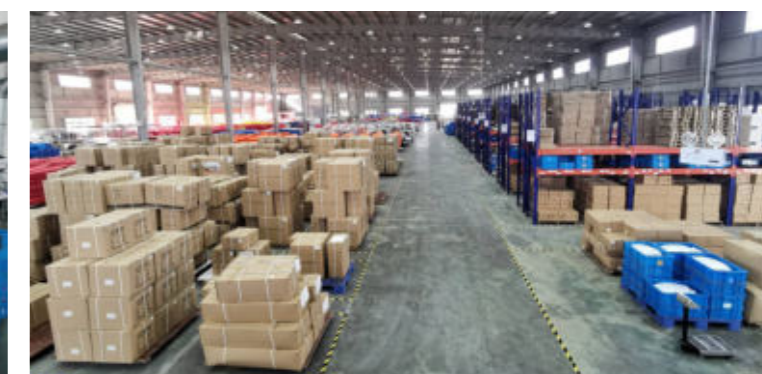
Toilet Lifespan Test Bench



Research and Design





Automatic Injection Equipment




10,000 m<sup>2</sup> Warehouse

# CONTENTS

## Bilge Pumps

 Bilge Pumps ..... 05
 Livewell / Baitwell Pumps Series.....09
 Bilge Pumps .....11
 Shower Pumps .....14
 Handy Submersible Pumps .....17
 Bilge Pumps.....18
 Dry Bilge Systems.....19
 Livewell / Baitwell Pumps Series.....21
 Float Switches .....23
 Water Alarm Systems.....25
 Switch Panels.....27
 Submersible Pumps / Galley Pumps .....28

## Fresh Water Pumps







 Fresh Water Pumps ..... 35
 Variable Speed Smart Pumps .....40
 Accumulator Tanks .....41
 Water Pressure Systems .....42
 Washdown Pump Kits .....44
 Washdown Quick Connect Kits .....49
 Accessories.....51
 Raw Water Strainers.....58

## Other Pumps




 Macerator Pumps ..... 59
 Hand Pumps.....61

 Self-priming Bilge Pumps .....63
 Ballast Pumps .....65
 Air Conditioning Pumps .....66
 Centrifugal Pumps .....67



## Oil Change Systems

 Oil Change Systems ..... 70
 Diesel Refuelling Pumps .....71
 Gear Pumps .....72
 Gear Oil Lube Pumps.....73
 Oil Change Hand Pumps.....74
 Fuel Transfer Pumps .....75


## Tank Systems

 Fuel Cans.....77
 Kneeboards .....80
 Waterproof Storage Cans .....81





## Solar Panel Systems

 Solar Charge Controllers ..... 83
 Solar Panels.....84



## Outdoor Equipment

 Micro Adjusted Speed Control DC Oscillating Fans.....85
 Portable Desk Fans.....86
 Turbo Desk Fans .....86
 Wireless Charger .....87
 Wireless Charging Pad.....87
 Wine Bottle Chiller.....87
 Outdoor Camping Shower.....88
 Portable Shower Pumps.....88





## Toilets

 Portable Toilets ..... 89
 Ceramic Toilets ..... 98
 Toilet Accessories..... 105
 Holding Tank Vent Filters..... 111





## Wiper

 Wiper Motor & Wiper Kits .....119
 Wiper Arms .....123










## Fans / Blowers









 Solar Power Ventilators.....127
 Bilge Blower 04/05 series.....128
 In-line Blowers.....129
 Bilge Blower 01/02/03 series .....130

## Battery Switches

 Battery Disconnect Swiches.....131
 2-Way Voltage Display Switch Panel .....132
 Ignition Switch Panel .....132
 2-3-4 Position Battery Switches.....133

## Marine Accessories








 Thru Hull Fittings with Strainer .....137
 Boat Drain Plugs .....141
 Tank Ventilators .....142
 Fishing Rod Holders.....143
 Bait & Fillet Tables.....145
 Deck Filler With Vents.....147
 Water Inlets .....149
 Boat Emergency Plugs .....150
 Fold-up Adjustable Drink Holders.....150

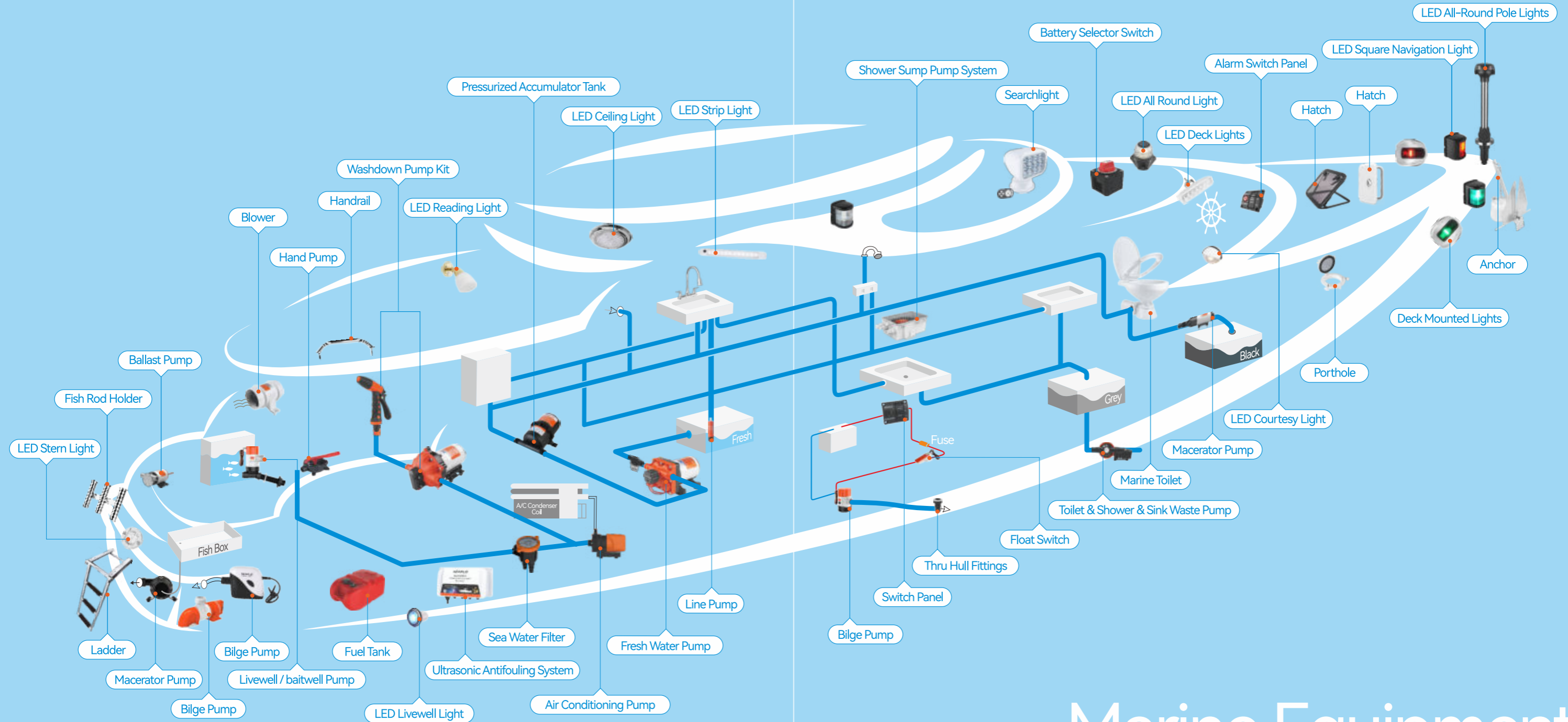
 Pontoon Storage Blocks.....150
 Non-return Valves.....151
 Hose Clamps.....152
 Nylon Cleats.....153
 Flush Latch Lockings.....154
 Dent Vents.....155
 Round Louver Air Vents.....156
 Handles.....156

## Hatches / Portholes

 Hatches.....158
 Portholes .....163

## Hardware

 Deck Fillers, AISI 316 .....169
 Cockpit Drains .....171
 Tank Ventilators .....171
 Gas Tank Vents .....171
 Transom Exhaust Pipes, AISI 316.....172
 Cleat, Bollards.....173
 Roller, Chain Stopper, Anchor Chains.....175
 Vents.....177
 Ladders .....179
 Handrails.....181
 Hinges.....183
 Door Holders, Foldable Steps .....184
 Flush Pulls.....185
 Rod Holders.....186
 Downrigger Weights .....188
 Anchors.....189
 Mountain Nail Anchors and Hammers .....190



# Marine Equipment



## CERTIFICATIONS

SEAFLO factory pays high value to ISO system including ISO 9001:2015, ISO 14001:2015 and ISO 18001:2007 for general management and production. SEAFLO not only has obtained 14 Invention Patents, 67 Utility Model Patents, 161 Design Patents till now, but also received many international authentications including CE, UKCA, LFGB, USCG, ABYC, COLREG 72, ROHS, ISO 8846 and ISO 8849, CSA, Reach, PAHs etc.



CSA



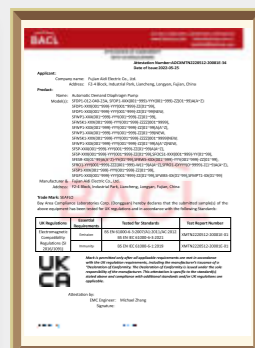
ISO 45001:2018



ISO 14001:2015



CE



UKCA



ISO 8846 ISO 8849



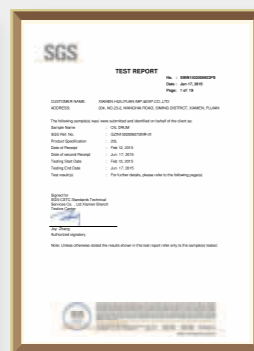
ISO 9001:2015



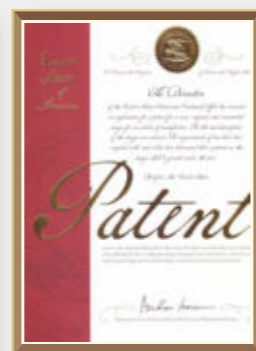
PAHS



RoHS



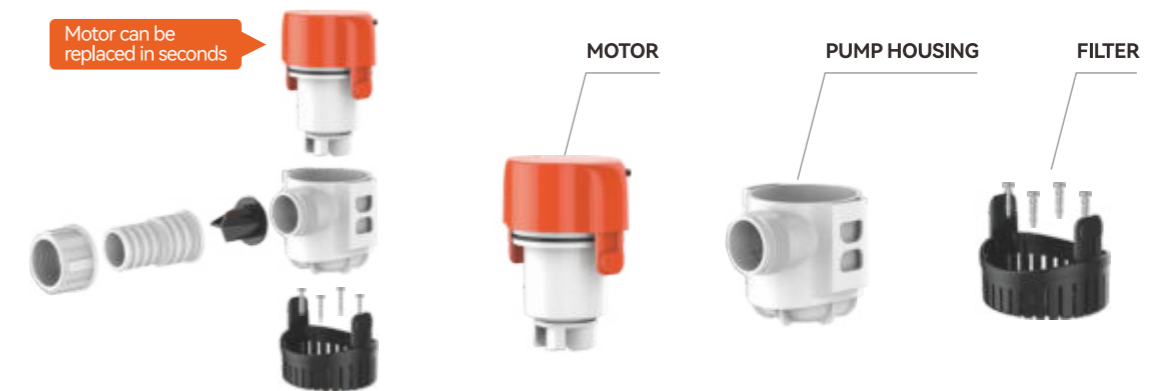
Reach



United States Patent

## SEAFLO CUSTOM PUMP OPTIONS

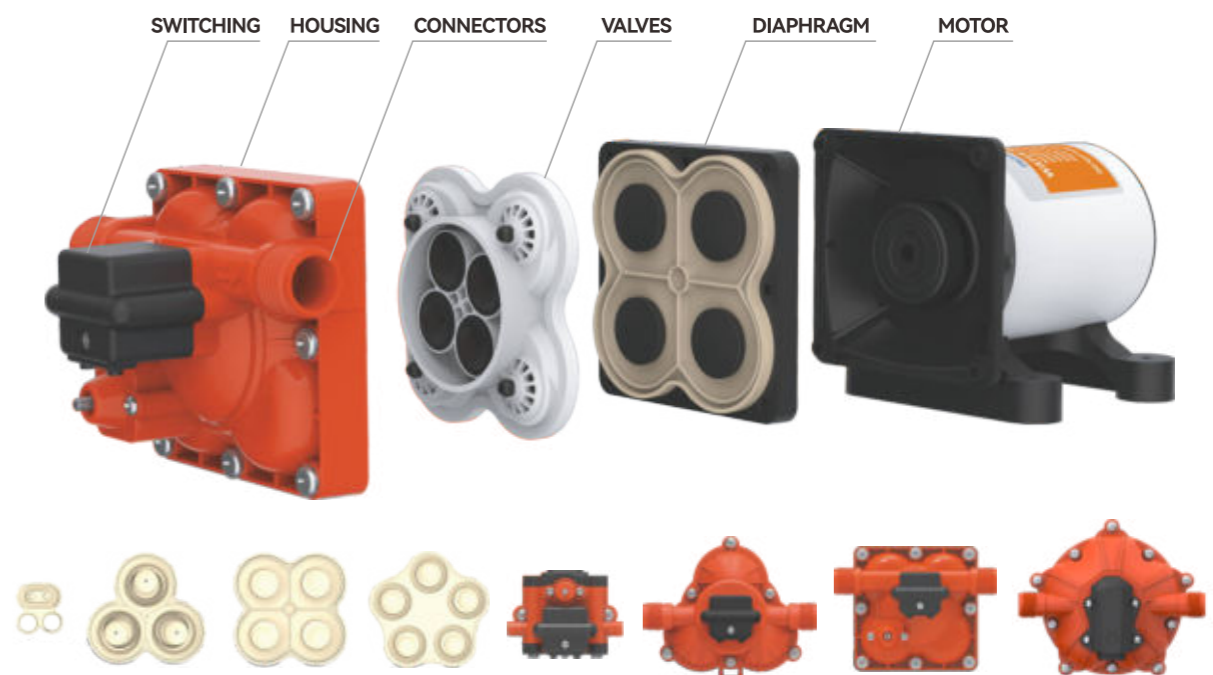
### BILGE PUMPS



Motor can be replaced in seconds

Additional Options: Barcoding, CE certified, Various packaging options, Custom label/logo

### FRESH WATER PUMPS



#### SWITCHING

- Bypass
- Demand
- Dual Controls
- No Controls
- Smart Controllers

#### HOUSING

- Nylon
- Polypro

#### VALVES

- Santoprene
- Viton
- Geolast
- Nylon
- Polypro
- BUNA
- EPDM

#### CONNECTORS

- Quick Attach
- FNPT
- MNPT

#### DIAPHRAGMS

- Santoprene
- Viton
- Geolast
- Various CAM Sizes
- BUNA

#### MOTORS

- Sealed
- 12,24 Volts
- 115,230 Volts
- Higher Output
- Heat Sinks
- Lead Sinks
- Lead Wires
- 2 Pin Connector
- On/Off Switch
- Special Electrical Connectors Available

# Bilge Pumps 13 Series

## 600GPH-4700GPH

- Includes check valve to prevent water back flow
- Include removable discharge straight fitting
- Submersible and ignition protected
- High efficiency, low amp motor
- Stainless-steel motor shaft
- Anti-Airlock protection



Blister

Color Box



Rotation Function



Optional Accessories  
13F003  
1-1/8" (29mm)



Can Be Sold Separately

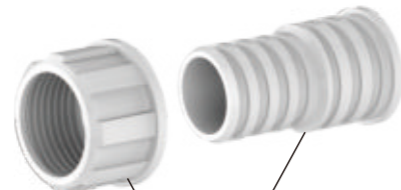


Motor

New innovative split quick-connect joint design removes and installs in seconds!



Split quick-connect joint design no need to disconnect base or plumbing when replacing pump



13F002  
1" (25mm) or 1-1/8" (29mm)



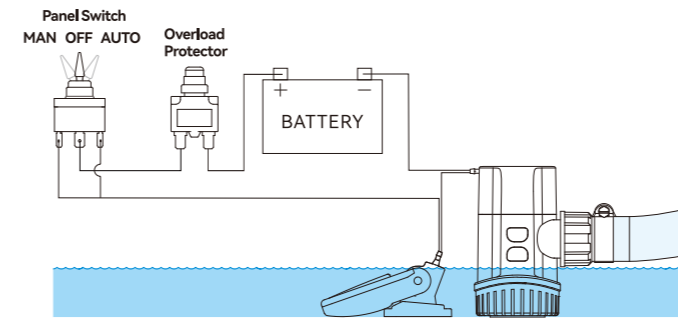
13CV01  
Check Valve



Filter  
(Easy remove for cleaning)

## Non-automatic Bilge Pumps PRO

13A Series



Non-automatic Bilge Pumps



13CV01  
Check Valve

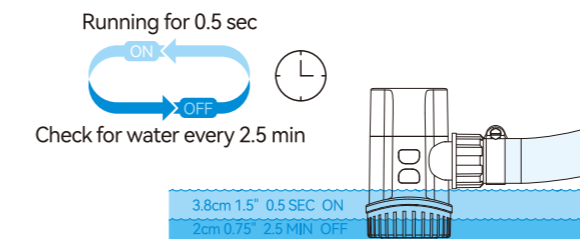
13F001  
3/4" (19mm)  
1-1/8" (29mm)

13F002  
1" (25mm)  
1-1/8" (29mm)

Pump Model	Motor Model	Flow rate	Volts	Current	Head	Wire Lead	Outlet Dia.	N.W./G.W.
SFBP1-G600-13A	SFMA1-G600-13A	600GPH	12V	2.5A	2.5m/7.5'	3' (1 m)		0.40KG/0.47KG
SFBP2-G600-13A	SFMA2-G600-13A	600GPH	24V	1.5A	2.5m/7.5'	3' (1 m)	3/4" (19mm)	0.40KG/0.47KG
SFBP1-G800-13A	SFMA1-G800-13A	800GPH	12V	3.5A	3m/9'	3' (1 m)	1 1/8" (29mm)	0.40KG/0.47KG
SFBP2-G800-13A	SFMA2-G800-13A	800GPH	24V	2.0A	3m/9'	3' (1 m)		0.40KG/0.47KG
SFBP1-G1100-13A	SFMA1-G1100-13A	1100GPH	12V	4.0A	4m/12'	3' (1 m)	1" (25mm)	0.40KG/0.47KG
SFBP2-G1100-13A	SFMA2-G1100-13A	1100GPH	24V	2.5A	4m/12'	3' (1 m)	1 1/8" (29mm)	0.40KG/0.47KG

## Electronic Timer Sensing Auto Bilge Pumps PRO

13B Series



Electronic Timer Sensing

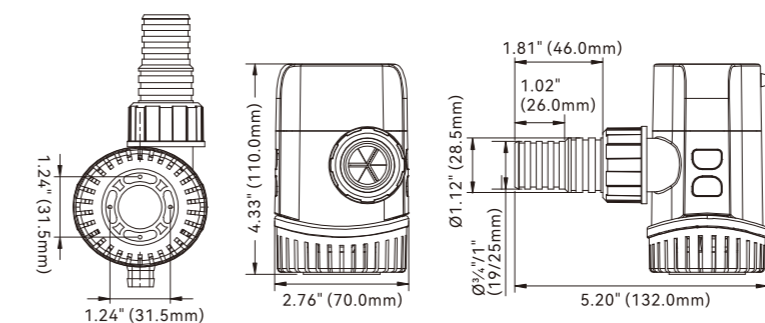


13CV01  
Check Valve

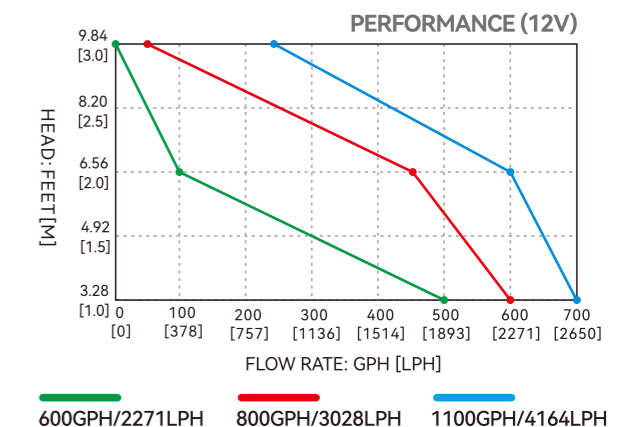
13F001  
3/4" (19mm)  
1-1/8" (29mm)

13F002  
1" (25mm)  
1-1/8" (29mm)

Pump Model	Motor Model	Flow rate	Volts	Current	Head	Wire Lead	Outlet Dia.	N.W./G.W.
SFBP1-G600-13B	SFMA1-G600-13B	600GPH	12V	2.5A	2.5m/7.5'	3' (1 m)		0.40KG/0.47KG
SFBP2-G600-13B	SFMA2-G600-13B	600GPH	24V	1.5A	2.5m/7.5'	3' (1 m)	3/4" (19mm)	0.40KG/0.47KG
SFBP1-G800-13B	SFMA1-G800-13B	800GPH	12V	3.5A	3m/9'	3' (1 m)	1 1/8" (29mm)	0.40KG/0.47KG
SFBP2-G800-13B	SFMA2-G800-13B	800GPH	24V	2.0A	3m/9'	3' (1 m)		0.40KG/0.47KG
SFBP1-G1100-13B	SFMA1-G1100-13B	1100GPH	12V	4.0A	4m/12'	3' (1 m)	1" (25mm)	0.40KG/0.47KG
SFBP2-G1100-13B	SFMA2-G1100-13B	1100GPH	24V	2.5A	4m/12'	3' (1 m)	1 1/8" (29mm)	0.40KG/0.47KG



600 / 800 / 1100 GPH



600GPH/2271LPH 800GPH/3028LPH 1100GPH/4164LPH

# Bilge Pumps 13 Series

## 1500-4700GPH

Compact automatic pump-no float switch needed  
Check for water every 2.5 minutes, Runs for a half second  
CE, RoHS, ISO 8846, ISO8849 standards  
Submersible and ignition protected

High efficiency, low amp motor  
Stainless-steel motor shaft  
Includes check valve to prevent water back flow  
Include removable discharge straight fitting



Blister

Color Box



### Non-automatic Bilge Pumps **PRO**

13A Series



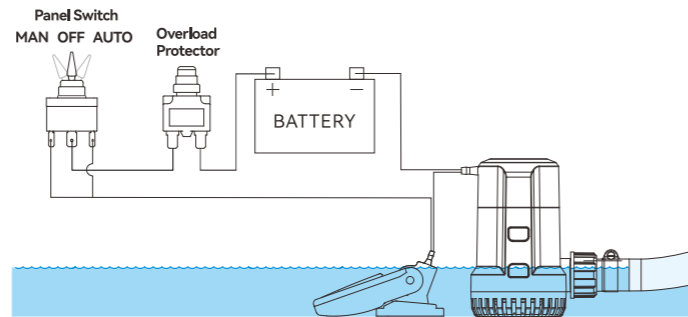
1500-2000GPH



13F004  
1-1/8" (29mm)  
Standard Straight Fitting



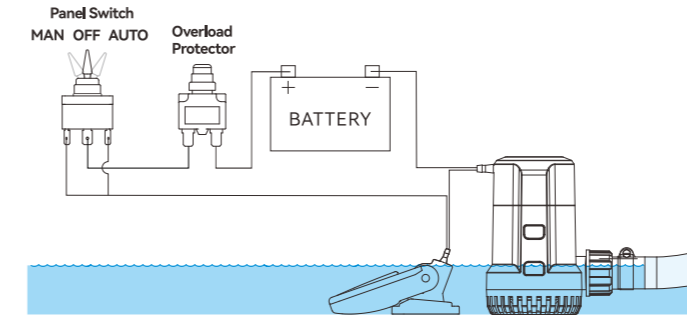
13CV01  
Check Valve



Pump Model	Motor Model	Flow rate	Volts	Current	Head	Wire Lead	Outlet Dia.	N.W./G.W.
Non-automatic Bilge Pumps 13A Series								
SFBP1-G1500-13A	SFMA1-G1500-13A	1500GPH	12V	4.5A	5m/16.40'	3' (1 m)	1-1/8" (29mm)	0.65KG/0.75KG
SFBP2-G1500-13A	SFMA2-G1500-13A	1500GPH	24V	2.5A	5m/16.40'	3' (1 m)		0.65KG/0.75KG
SFBP1-G2000-13A	SFMA1-G2000-13A	2000GPH	12V	7.5A	5.5m/18.04'	3' (1 m)	1-1/8" (29mm)	0.75KG/0.85KG
SFBP2-G2000-13A	SFMA2-G2000-13A	2000GPH	24V	4.0A	5.5m/18.04'	3' (1 m)		0.75KG/0.85KG

### Non-automatic Bilge Pumps **PRO**

13A Series



13F005  
1-1/2" (40mm)  
Standard Straight Fitting



13F006  
2" (52mm)  
Standard Straight Fitting



13CV02 / 13CV03  
1-1/2" / 2"  
Check Valve



3000-4700GPH

Model	Flow rate	Volts	Current	Fuse	Head	Wire lead	Outlet Dia.	N.W./G.W.
SFBP1-G3000-13A	3000 GPH	12V	12A	20A	5.5 m / 18.04'	1 m / 3'	1-1/2" (40mm) 2" (52mm)	2.1kg/2.2kg
SFBP2-G3000-13A	3000 GPH	24V	6A	10A	5.5 m / 18.04'	1 m / 3'	1-1/2" (40mm) 2" (52mm)	2.1kg/2.2kg
SFBP1-G3700-13A	3700 GPH	12V	14A	25A	6.0 m / 19.69'	1 m / 3'	1-1/2" (40mm) 2" (52mm)	2.1kg/2.2kg
SFBP2-G3700-13A	3700 GPH	24V	7A	12A	6.0 m / 19.69'	1 m / 3'	1-1/2" (40mm) 2" (52mm)	2.1kg/2.2kg
SFBP1-G4700-13A	4700 GPH	12V	16A	25A	6.5 m / 21.33'	1 m / 3'	1-1/2" (40mm) 2" (52mm)	2.1kg/2.2kg
SFBP2-G4700-13A	4700 GPH	24V	8A	14A	6.5 m / 21.33'	1 m / 3'	1-1/2" (40mm) 2" (52mm)	2.1kg/2.2kg

### Electronic Timer Sensing Auto Bilge Pumps **PRO**

13B Series



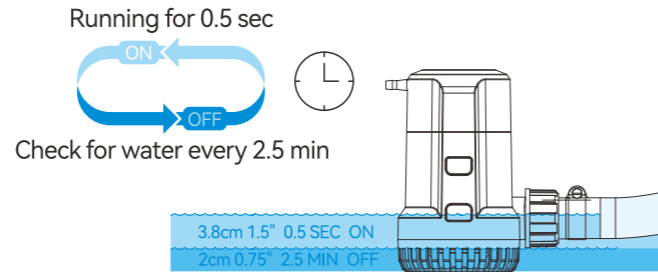
1500-2000GPH



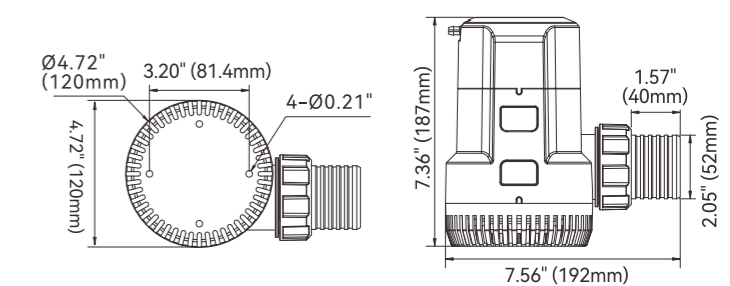
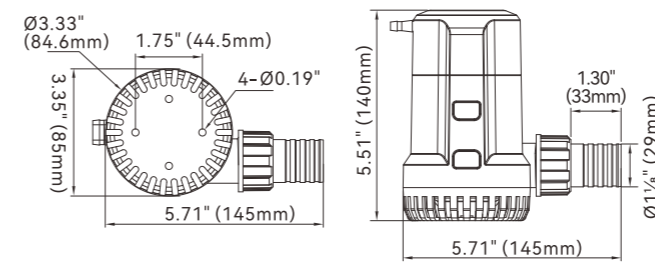
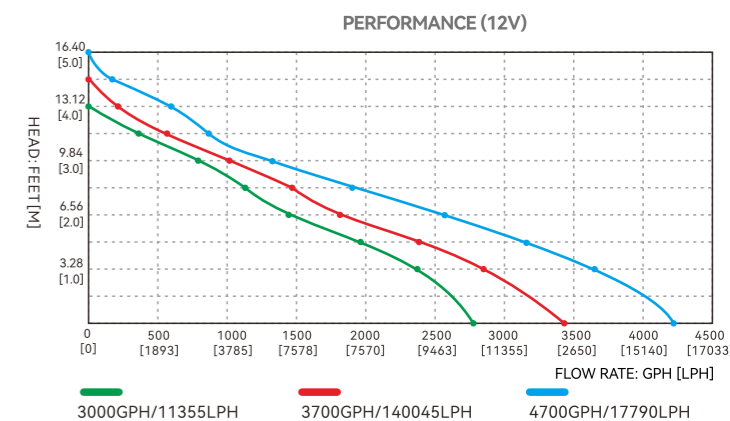
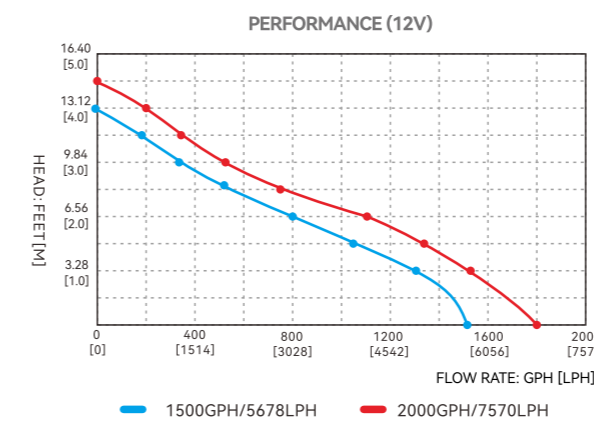
13F004  
1-1/8" (29mm)  
Standard Straight Fitting



13CV01  
Check Valve



Pump Model	Motor Model	Flow rate	Volts	Current	Head	Wire Lead	Outlet Dia.	N.W./G.W.
SFBP1-G1500-13B	SFMA1-G1500-13B	1500GPH	12V	4.5A	5.0m/16.40'	3' (1 m)	1-1/8" (29mm)	0.68KG/0.78KG
SFBP2-G1500-13B	SFMA2-G1500-13B	1500GPH	24V	2.5A	5.0m/16.40'	3' (1 m)		0.68KG/0.78KG
SFBP1-G2000-13B	SFMA1-G2000-13B	2000GPH	12V	7.5A	5.5m/18.04'	3' (1 m)	1-1/8" (29mm)	0.78KG/0.88KG
SFBP2-G2000-13B	SFMA2-G2000-13B	2000GPH	24V	4.0A	5.5m/18.04'	3' (1 m)		0.78KG/0.88KG

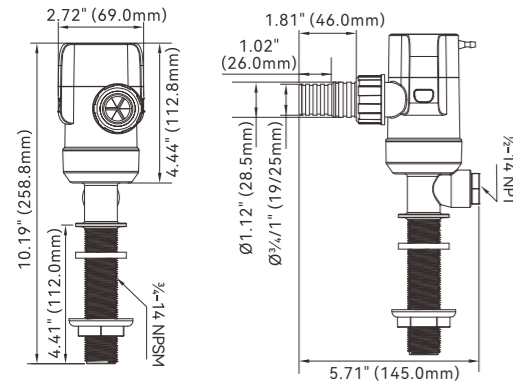


## Quickly replace the motor and filter with one click

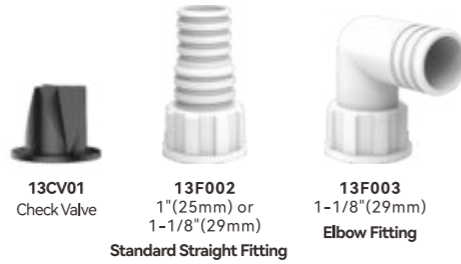
The motor is compatible with multiple models (600GPH / 800GPH / 1100GPH)



## Livewell-baitwell Pumps 13C Series **PRO**



Blister

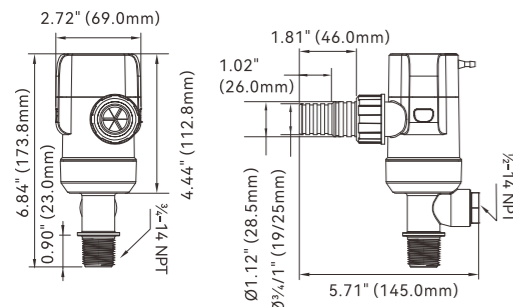


800/1100 GPH

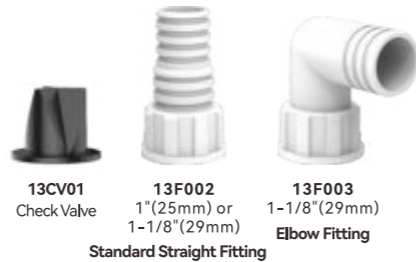
### Standard Pump Configurations

Pump Model	Motor Model	Flow rate	Volts	Current	Head	Wire Lead	Outlet Dia.	N.W./G.W.
SFBP1-G800-13C	SFMA1-G800-13A	800GPH	12V	3.5A	3m / 9ft	3' (1 m)	3/4" (19mm)	0.55KG/0.60KG
SFBP2-G800-13C	SFMA2-G800-13A	800GPH	24V	2.0A	3m / 9ft	3' (1 m)	1 1/8" (29mm)	0.55KG/0.60KG
SFBP1-G1100-13C	SFMA1-G1100-13A	1100GPH	12V	4.0A	4m / 12ft	3' (1 m)	1" (25mm)	0.55KG/0.60KG
SFBP2-G1100-13C	SFMA2-G1100-13A	1100GPH	24V	2.5A	4m / 12ft	3' (1 m)	1 1/8" (29mm)	0.55KG/0.60KG

## Livewell-baitwell Pumps 13D Series **PRO**



Blister

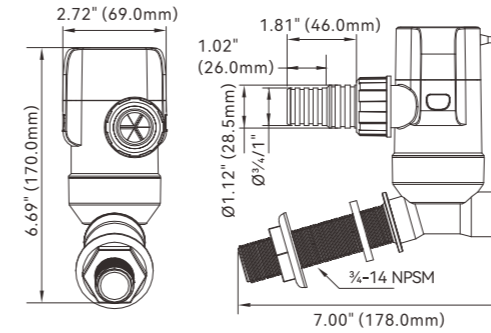


Standard Straight Fitting



Pump Model	Motor Model	Flow rate	Volts	Current	Head	Wire Lead	Outlet Dia.	N.W./G.W.
SFBP1-G800-13D	SFMA1-G800-13A	800GPH	12V	3.0A	3m/9'	3' (1 m)	3/4" (19mm)	0.50KG/0.55KG
SFBP2-G800-13D	SFMA2-G800-13A	800GPH	24V	1.6A	3m/9'	3' (1 m)	1 1/8" (29mm)	0.50KG/0.55KG
SFBP1-G1100-13D	SFMA1-G1100-13A	1100GPH	12V	3.5A	4m/12'	3' (1 m)	1" (25mm)	0.50KG/0.55KG
SFBP2-G1100-13D	SFMA2-G1100-13A	1100GPH	24V	1.8A	4m/12'	3' (1 m)	1 1/8" (29mm)	0.50KG/0.55KG

## Livewell-baitwell Pumps 13E Series **PRO**



Blister



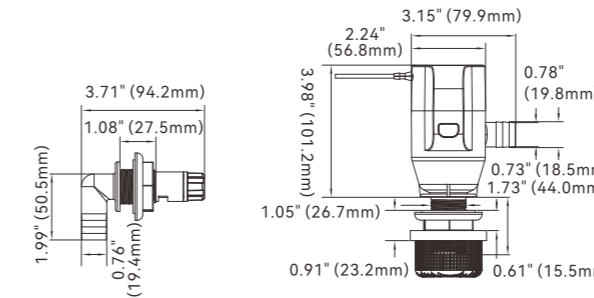
Standard Straight Fitting



800/1100 GPH

Pump Model	Motor Model	Flow rate	Volts	Current	Head	Wire Lead	Outlet Dia.	N.W./G.W.
SFBP1-G800-13E	SFMA1-G800-13A	800GPH	12V	3.5A	3m / 9ft	3' (1 m)	3/4" (19mm)	0.55KG/0.60KG
SFBP2-G800-13E	SFMA2-G800-13A	800GPH	24V	2.0A	3m / 9ft	3' (1 m)	1 1/8" (29mm)	0.55KG/0.60KG
SFBP1-G1100-13E	SFMA1-G1100-13A	1100GPH	12V	4.0A	4m / 12ft	3' (1 m)	1" (25mm)	0.55KG/0.60KG
SFBP2-G1100-13E	SFMA2-G1100-13A	1100GPH	24V	2.5A	4m / 12ft	3' (1 m)	1 1/8" (29mm)	0.55KG/0.60KG

## Portable Livewell Aerator Kit 13F Series **PRO**



Blister



3/4" diameter x 23" long poly hose

hose clamps aerator spray head stainless steel strainer



Pump Model	Motor model	Voltage	Flow rate	Current	Outlet Dia.
SFBP1-G600-13F	SFMA1-G600-13A	12V	600GPH	2.4A	3/4"(19mm)
SFBP1-G800-13F	SFMA1-G800-13A	12V	800GPH	3.5A	3/4"(19mm)

## Aerator Spray Head **PRO**

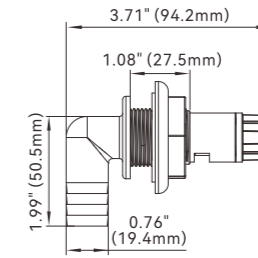
Aerator spray heads enhance water flow to keep live bait and fish healthy and well-oxygenated. Ideal for Livewells & Recirculating Systems. Adjustable spray head enriches the water with oxygen. For use with 3/4"(19mm) hose. Can be installed in tanks up to 5/8" wall thickness.



Blister



Adjustable spray head



Model	Barb Size	Hole Size	Installed Wall Thickness
SFASH1-01	3/4"(19mm)	1-1/16"(27mm) Min 1-1/8"(30mm) Max	≤5/8"(15.8mm)

## Livewell/Aerator Pump Inlet Strainer

Prevents Clogs  
Keeps Out Trash, Fish Scales & Debris  
Stainless Steel Wire Mesh, Screw-On Design  
Fits Most Livewell/Aerator Pump



04S005  
3/4"(19mm)



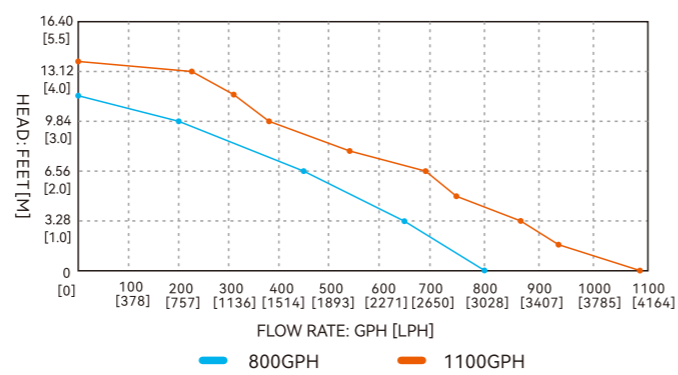
Blister



Motor Color Box



Motor can be sold separately



**Bilge Pump 14 Series PRO**

- Low narrow design for tight / awkward bilge spaces
- Efficient operation - Very low power consumption
- Low profile strainer - Leaves the bilge almost dry
- Easy to clean - snap fit assembly
- Easy to clean - easy to remove and replace for cleaning
- Includes check valve to prevent water backflow
- Easy installation - outlet and pump body 360° rotate to suit your installation
- Easy to clean - unique clever strainer design with 360° rotation function
- CE, RoHS, ISO 8846, ISO 8849 standards



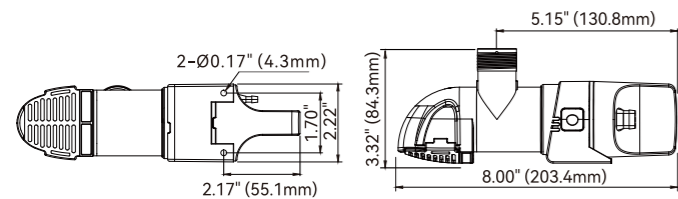
Rotation Function  
13F003  
1-1/8" (29mm)  
Elbow fitting

Pump body Rotation Function

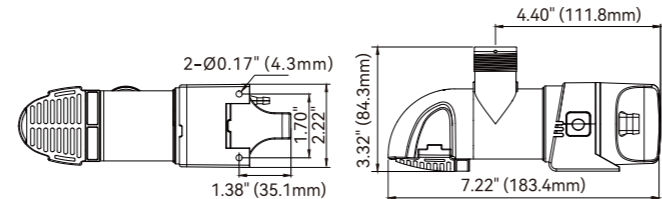
Take out motor and fasten with screw before install the pump

Wetting both thumbs then pressed hard to test it works (only for 14A Series)

Split quick-connect joint design no need to disconnect base or plumbing when replacing pump.



14A Series

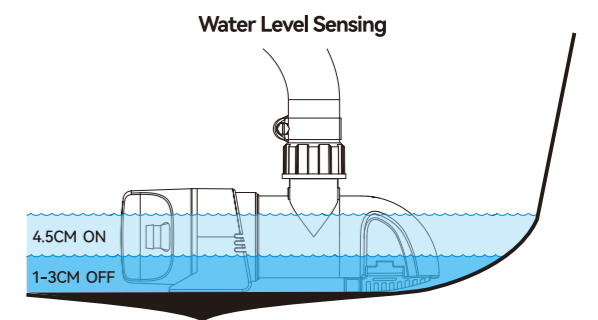


14B / 14C Series

**Water Level Sensing Low Profile Automatic Bilge Pump 14A Series**



13F001 3/4" (19mm) 1-1/8" (29mm)  
13F002 1" (25mm) 1-1/8" (29mm)  
13CV01 Check Valve

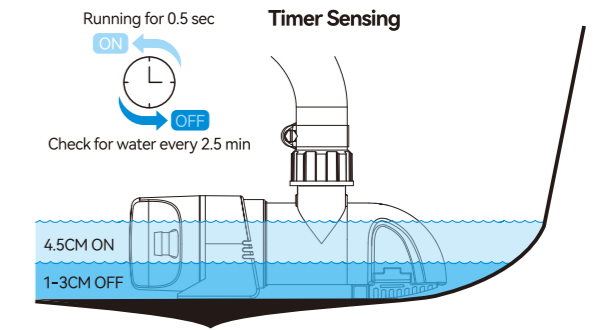


Model	Model	Flow rate	Volts	Current	Head	Mode of Operation	Outlet Dia.	N.W./G.W.
SFBP1-G800-14A	SFMA1-G800-14A	800GPH	12V	3.2A	3.2m/10.5'	automatic water level sensor	3/4" (19mm) 1" (25mm) 1-1/8" (29mm)	0.39/0.56kg
SFBP2-G800-14A	SFMA2-G800-14A	800GPH	24V	2.0A	3.2m/10.5'			0.39/0.56kg
SFBP1-G1100-14A	SFMA1-G1100-14A	1100GPH	12V	4.2A	4.0m/13'			0.39/0.56kg
SFBP2-G1100-14A	SFMA2-G1100-14A	1100GPH	24V	3.0A	4.0m/13'			0.39/0.56kg

**Timer Sensing Low Profile Automatic Bilge Pump 14B Series**



13F001 3/4" (19mm) 1-1/8" (29mm)  
13F002 1" (25mm) 1-1/8" (29mm)  
13CV01 Check Valve

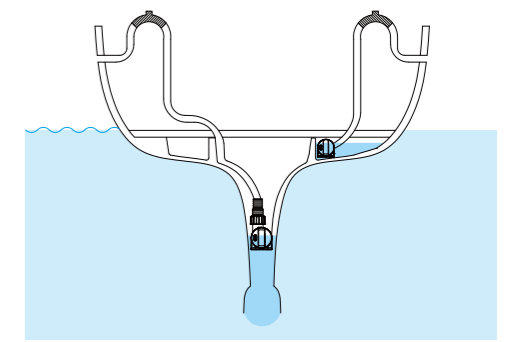


Model	Model	Flow rate	Volts	Current	Head	Mode of Operation	Outlet Dia.	N.W./G.W.
SFBP1-G800-14B	SFMA1-G800-14B	800GPH	12V	3.2A	3.2m/10.5'	automatic timer sensor	3/4" (19mm) 1" (25mm) 1-1/8" (29mm)	0.38/0.55kg
SFBP2-G800-14B	SFMA2-G800-14B	800GPH	24V	2.0A	3.2m/10.5'			0.38/0.55kg
SFBP1-G1100-14B	SFMA1-G1100-14B	1100GPH	12V	4.2A	4.0m/13'			0.38/0.55kg
SFBP2-G1100-14B	SFMA2-G1100-14B	1100GPH	24V	3.0A	4.0m/13'			0.38/0.55kg

**Low Profile Bilge Pump 14C Series**



13F001 3/4" (19mm) 1-1/8" (29mm)  
13F002 1" (25mm) 1-1/8" (29mm)  
13CV01 Check Valve



Model	Model	Flow rate	Volts	Current	Head	Mode of Operation	Outlet Dia.	N.W./G.W.
SFBP1-G800-14C	SFMA1-G800-14C	800GPH	12V	3.2A	3.2m/10.5'	manual	3/4" (19mm) 1" (25mm) 1-1/8" (29mm)	0.35/0.51kg
SFBP2-G800-14C	SFMA2-G800-14C	800GPH	24V	2.0A	3.2m/10.5'			0.35/0.51kg
SFBP1-G1100-14C	SFMA1-G1100-14C	1100GPH	12V	4.2A	4.0m/13'			0.35/0.51kg
SFBP2-G1100-14C	SFMA2-G1100-14C	1100GPH	24V	3.0A	4.0m/13'			0.35/0.51kg

## Auto Bilge Pump 17 Series **PRO**

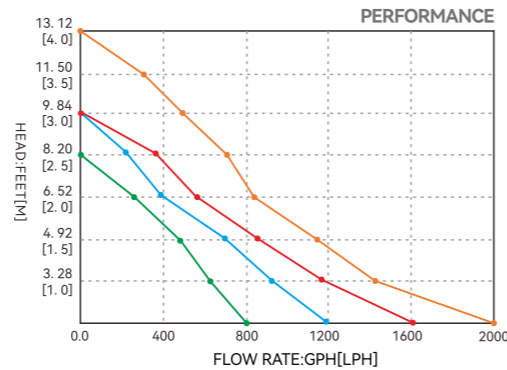
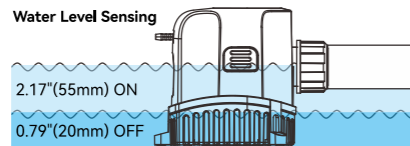
800 / 1200 / 1500 / 2000 GPH

- Compact, all-in-one unit
- Capacitive coupling sensing switch, trouble-free and automatic operation
- Pump turns on when water level rises & shuts off when water is removed
- Snap-off strainer for easy cleaning
- Removable check valve
- Ignition protected
- Easy-to-install

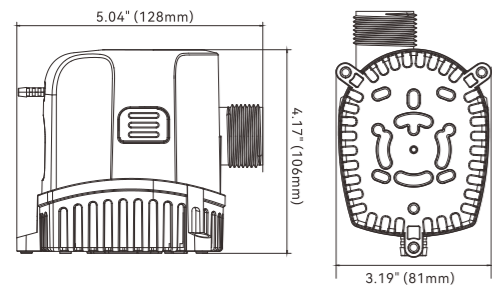
800 / 1200 GPH



Color Box

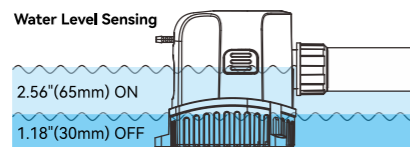


800GPH/3028LPH 1200GPH/4542LPH  
1500GPH/5678LPH 2000GPH/7570LPH

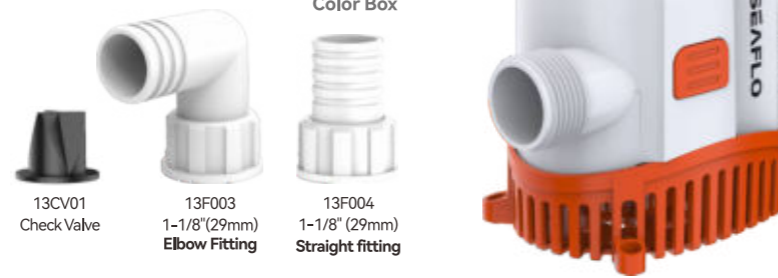
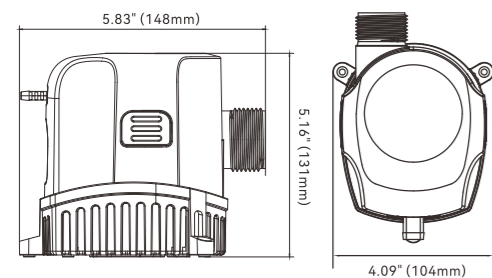


Model	Flow rate	Volts	Current	Head	Wire lead	Outlet Dia.	N.W./G.W.
SFBP1-G800-17	800 GPH	12 V	3 A	2.5 m / 8.0'	1 m / 3.0'	3/4"(19mm) 1-1/8"(29mm)	0.54/0.59 kg
SFBP2-G800-17	800 GPH	24 V	1.5 A	2.5 m / 8.0'	1 m / 3.0'	3/4"(19mm) 1-1/8"(29mm)	0.54/0.59 kg
SFBP1-G1200-17	1200 GPH	12 V	4 A	3 m / 10.0'	1 m / 3.0'	1"(25mm) 1-1/8"(29mm)	0.54/0.59 kg
SFBP2-G1200-17	1200 GPH	24 V	2 A	3 m / 10.0'	1 m / 3.0'	1"(25mm) 1-1/8"(29mm)	0.54/0.59 kg

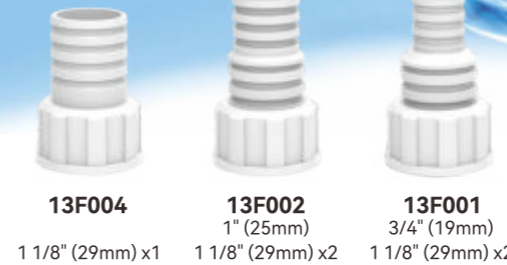
1500 / 2000 GPH



Color Box



Model	Flow rate	Volts	Current	Head	Wire lead	Outlet Dia.	N.W./G.W.
SFBP1-G1500-17	1500 GPH	12 V	7 A	3m/ 10.0'	1 m / 3.0'	1-1/8"(29mm)	0.81/0.86 kg
SFBP2-G1500-17	1500 GPH	24 V	3.5 A	3m/ 10.0'	1 m / 3.0'	1-1/8"(29mm)	0.81/0.86 kg
SFBP1-G2000-17	2000 GPH	12 V	9 A	4 m / 13.0'	1 m / 3.0'	1-1/8"(29mm)	0.81/0.86 kg
SFBP2-G2000-17	2000 GPH	24 V	4.5 A	4 m / 13.0'	1 m / 3.0'	1-1/8"(29mm)	0.81/0.86 kg



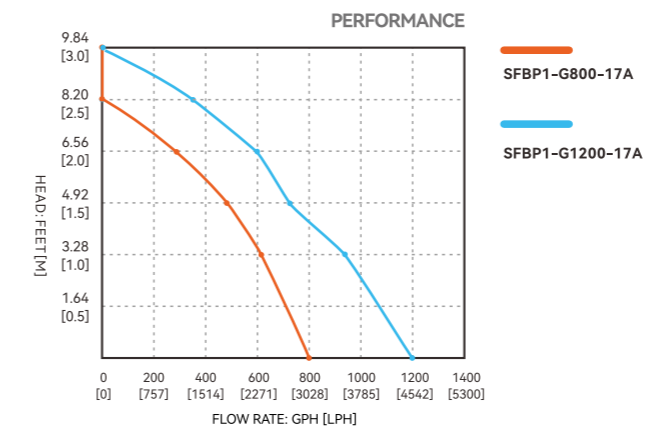
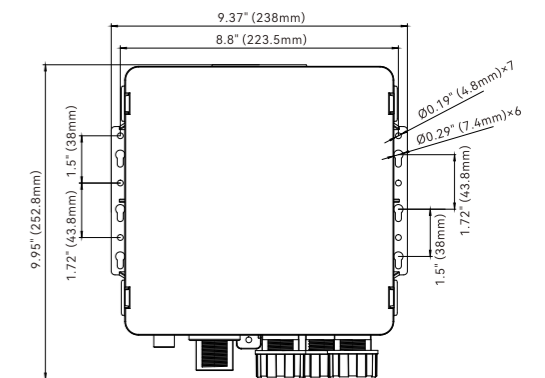
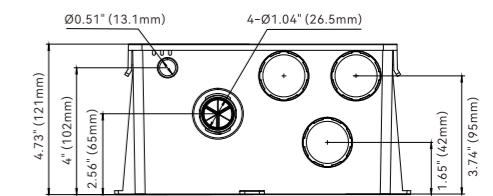
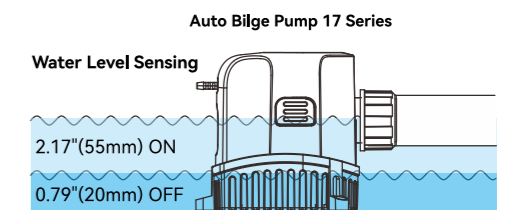
Straight fitting

Color Box

## Shower Drain Box 17A Series **PRO**

800/1200 GPH

- Powerful 800 or 1200 GPH Pump for Efficient Wastewater Removal
- Automatic water level sensing bilge pump for hands-free operation
- Multi-Inlet Design for multiple drainage sources
- Threaded Port Fittings: Enhance installation with multiple port fitting combinations, options include 3/4" (19mm), 1" (25mm) and 1 - 1/8" (29mm)
- Removable debris strainer
- The check valve on the outlet stops water from flowing back into the tank
- Added rear foot mount for simple installation



### Standard Pump Configurations

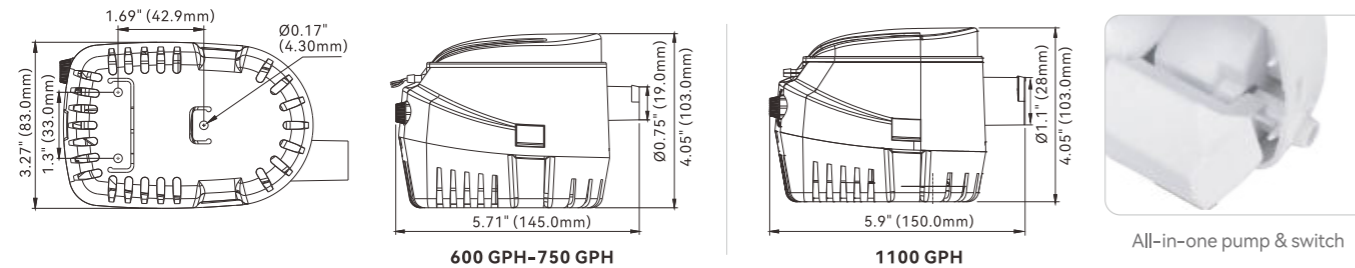
Model	Flow rate	Volts	Current	Head	Wire lead	Fuse	Outlet Dia.
SFBP1-G800-17A	800 GPH	12 V	3.0 A	2.5 m / 8.0'	1 m / 3.0'	6 A	3/4" (19 mm) 1-1/8" (29 mm)
SFBP2-G800-17A	800 GPH	24 V	1.5 A	2.5 m / 8.0'	1 m / 3.0'	3 A	3/4" (19 mm) 1-1/8" (29 mm)
SFBP1-G1200-17A	1200 GPH	12 V	4.0 A	3 m / 10.0'	1 m / 3.0'	8 A	1" (25 mm) 1-1/8" (29 mm)
SFBP2-G1200-17A	1200 GPH	24 V	2.0 A	3 m / 10.0'	1 m / 3.0'	4 A	1" (25 mm) 1-1/8" (29 mm)

## Mechanical Auto Bilge Pumps

06 Series **600/750/1100 GPH**

### FEATURES & BENEFITS

- All-in-one pump & switch-No float switch required
- Pump turns on when water level rises & shuts off when water is removed
- Will not pump oil-straight motor oil that enters the bilge will not turn the pump on
- Snap-off strainer for easy cleaning
- Anti-fouling impeller
- 18 AWG, 1 m Long Leads

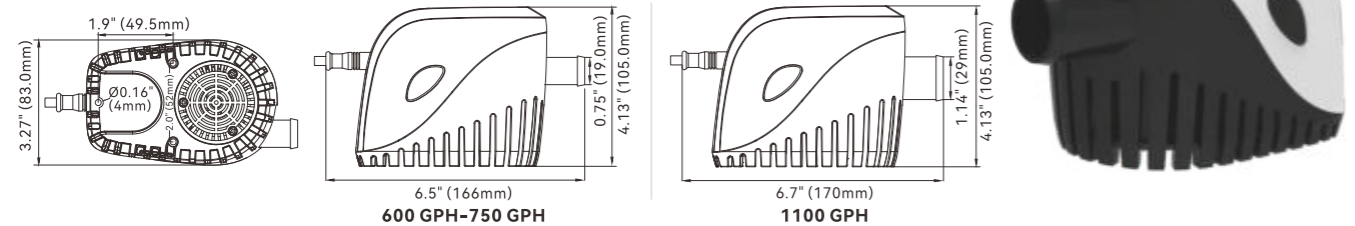


Model	Flow rate	Volts	Current	Head	Wire lead	Outlet Dia.	N.W./G.W.
SFBP1-G600-06	600 GPH	12 V	2.5 A	2.5 m / 8.0'	1 m / 3.0'	3/4" (19 mm)	0.47/0.52 kg
SFBP2-G600-06	600 GPH	24 V	1.5 A	2.5 m / 8.0'	1 m / 3.0'	3/4" (19 mm)	0.47/0.52 kg
SFBP1-G750-06	750 GPH	12 V	3.0 A	3.0 m / 10.0'	1 m / 3.0'	3/4" (19 mm)	0.47/0.52 kg
SFBP2-G750-06	750 GPH	24 V	1.6 A	3.0 m / 10.0'	1 m / 3.0'	3/4" (19 mm)	0.47/0.52 kg
SFBP1-G1100-06	1100 GPH	12 V	4.0 A	4.0 m / 13.0'	1 m / 3.0'	1-1/8" (29 mm)	0.55/0.60 kg
SFBP2-G1100-06	1100 GPH	24 V	2.5 A	4.0 m / 13.0'	1 m / 3.0'	1-1/8" (29 mm)	0.55/0.60 kg

## Auto Bilge Pumps

11 Series **600/750/1100 GPH**

Compact, automatic, fully submersible electric pump. Built-in magnetic reed float switch! Equipped with built in electronic controlled reed sensor system for easy fully automatic operation.



Model	Flow rate	Volts	Current	Head	Wire lead	Outlet Dia.	N.W./G.W.
SFBP1-G600-11	600 GPH	12 V	2.5 A	2.5 m / 8.0'	1 m / 3.0'	3/4" (19 mm)	0.55/0.6 kg
SFBP2-G600-11	600 GPH	24 V	1.5 A	2.5 m / 8.0'	1 m / 3.0'	3/4" (19 mm)	0.55/0.6 kg
SFBP1-G750-11	750 GPH	12 V	3.0 A	3.0 m / 10.0'	1 m / 3.0'	3/4" (19 mm)	0.55/0.6 kg
SFBP2-G750-11	750 GPH	24 V	1.6 A	3.0 m / 10.0'	1 m / 3.0'	3/4" (19 mm)	0.55/0.6 kg
SFBP1-G1100-11	1100 GPH	12 V	4.0 A	4.0 m / 13.0'	1 m / 3.0'	1-1/8" (29 mm)	0.55/0.6 kg
SFBP2-G1100-11	1100 GPH	24 V	2.5 A	4.0 m / 13.0'	1 m / 3.0'	1-1/8" (29 mm)	0.55/0.6 kg
SFBPA2-G1100-11	1100 GPH	220 V	12.5 A	4.0 m / 13.0'	1 m / 3.0'	1-1/8" (29 mm)	0.97/1.0 kg



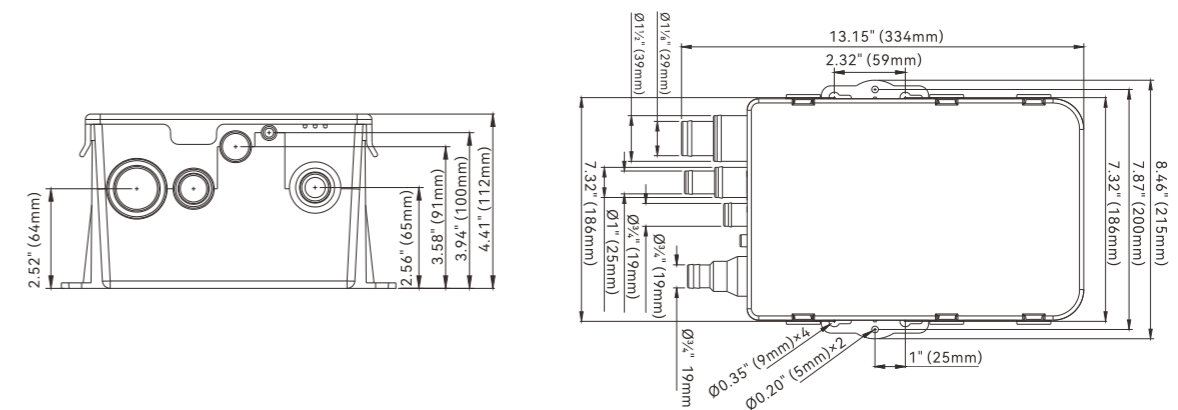
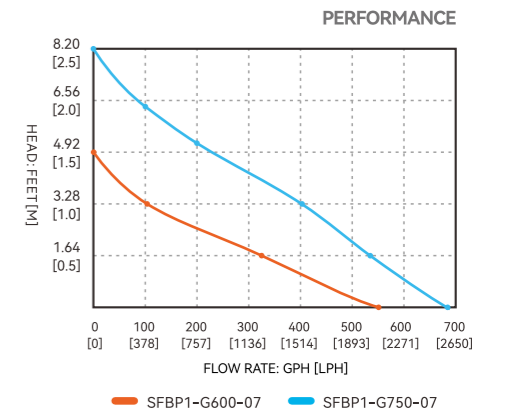
## Shower Sump Pump System 07 Series **600/750 GPH**

### FEATURES & BENEFITS

- Removable mesh filter allows easy cleaning
- Clear screw-down cover
- Check valve on outlet
- Ignition protected
- Handles waste water from more than one tapping point
- Easy installation
- Multiple inlet ports for versatile usage
- 18 AWG, 1 m long Leads

### MOTOR

- Type**  
Sealed, efficient, long life motor
- Duty Cycle**  
Intermittent



### Standard Pump Configurations

Model	Flow rate	Volts	Current	Head	Wire lead	Outlet Dia.	N.W./G.W.
SFBP1-G600-07	600 GPH	12 V	2.5 A	2.5 m / 8.0'	1 m / 3.0'	3/4" (19 mm)	1.17/1.35 kg
SFBP2-G600-07	600 GPH	24 V	1.5 A	2.5 m / 8.0'	1 m / 3.0'	3/4" (19 mm)	1.17/1.36 kg
SFBP1-G750-07	750 GPH	12 V	3.0 A	3.0 m / 10.0'	1 m / 3.0'	3/4" (19 mm)	1.17/1.37 kg
SFBP2-G750-07	750 GPH	24 V	1.6 A	3.0 m / 10.0'	1 m / 3.0'	3/4" (19 mm)	1.17/1.38 kg



13CV04  
Check Valve



18F001  
1-3/8" (34mm)



18F002  
1-3/8" (30mm)  
1-3/8" (34mm)

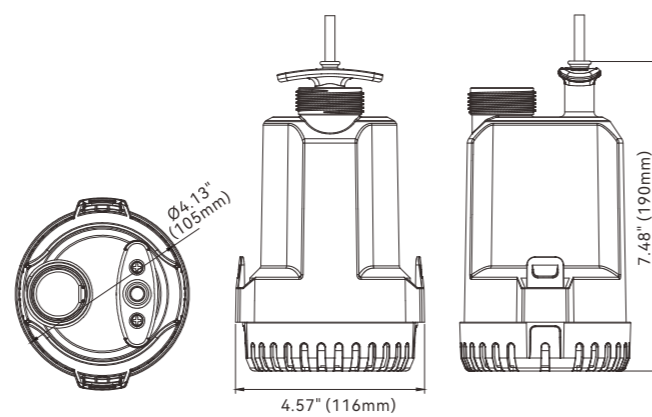
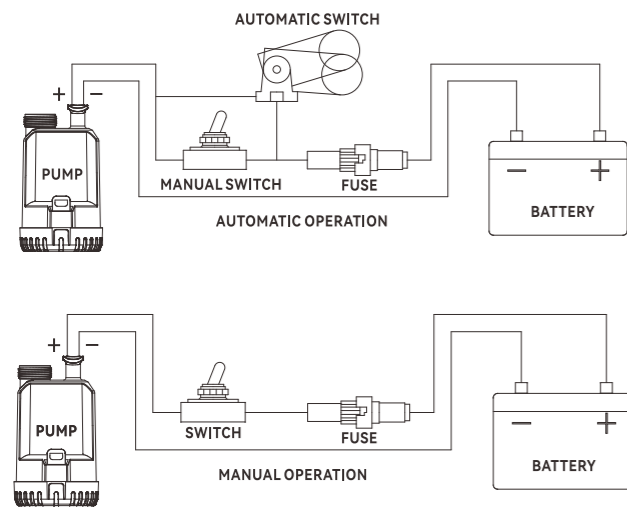


Color Box

**Handy Submersible Pump 18 Series 1500/2000 GPH**

**FEATURES & BENEFITS**

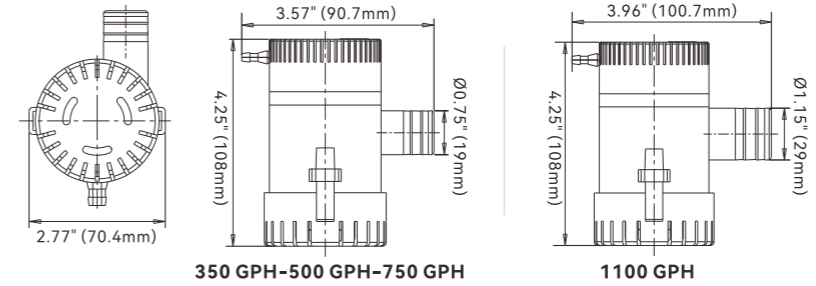
- Powerful Pump with Stable Performance
- Easy to transport using the carrying handle
- Built-in check valve inside the pump
- Add ribs around the motor to store water and cool the motor in time
- 2 different diameters outlets (1-3/16" and 1-3/8") to adapt for different size hoses as needed according to the flow rate
- Snap-off strainer base for easy maintenance



**Standard Pump Configurations**

Model	Flow rate	Volts	Current	Head	Outlet Dia.
SFBP1-G1500-18	1500 GPH	12 V	8 A	3.5 m / 11.5'	1-3/16" (30mm) & 1-3/8" (34mm)
SFBP2-G1500-18	1500 GPH	24 V	4 A	3.5 m / 11.5'	1-3/16" (30mm) & 1-3/8" (34mm)
SFBP1-G2000-18	2000 GPH	12 V	12 A	4.0 m / 13.1'	1-3/16" (30mm) & 1-3/8" (34mm)
SFBP2-G2000-18	2000 GPH	24 V	6 A	4.0 m / 13.1'	1-3/16" (30mm) & 1-3/8" (34mm)

**Non-automatic Bilge Pumps 01 Series (350 / 500 / 750 / 1100 GPH)**



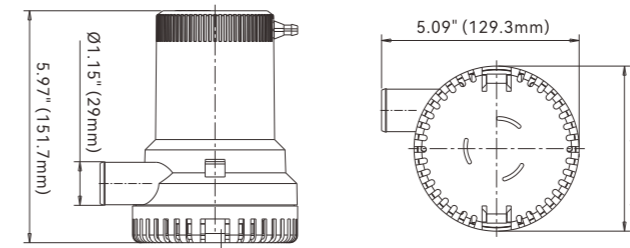
Model	Flow rate	Volts	Current	Head	Wire lead	Outlet Dia.	N.W./G.W.
SFBP1-G350-01	350 GPH	12 V	1.0 A	3 m / 10'	1 m / 3'	3/4" (19 mm)	0.33/0.40 kg
SFBP1-G500-01	500 GPH	12 V	1.6 A	3 m / 10'	1 m / 3'	3/4" (19 mm)	0.33/0.40 kg
SFBP2-G500-01	500 GPH	24 V	1.2 A	3 m / 10'	1 m / 3'	3/4" (19 mm)	0.33/0.40 kg
SFBP1-G750-01	750 GPH	12 V	2.5 A	3 m / 10'	1 m / 3'	3/4" (19 mm)	0.33/0.40 kg
SFBP2-G750-01	750 GPH	24 V	1.2 A	3 m / 10'	1 m / 3'	3/4" (19 mm)	0.33/0.40 kg
SFBP1-G1100-01	1100 GPH	12 V	4.0 A	4 m / 13'	1 m / 3'	1-1/8" (29 mm)	0.38/0.44 kg
SFBP2-G1100-01	1100 GPH	24 V	2.5 A	4 m / 13'	1 m / 3'	1-1/8" (29 mm)	0.38/0.44 kg



Blister



**Non-automatic Bilge Pumps 01 Series (1500 / 2000 GPH)**



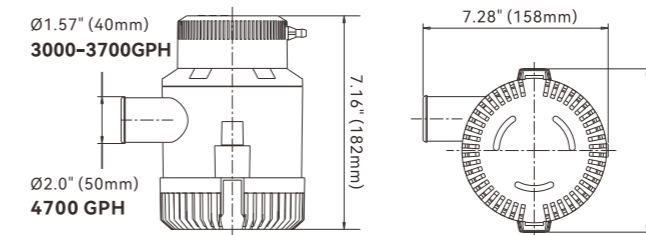
Model	Flow rate	Volts	Current	Head	Wire lead	Outlet Dia.	N.W./G.W.
SFBP1-G1500-01	1500 GPH	12V	8.0A	5m/16'	1m/3'	1-1/8" (29mm)	1.13/1.21 kg
SFBP2-G1500-01	1500 GPH	24V	4.0A	5m/16'	1m/3'	1-1/8" (29mm)	1.13/1.21 kg
SFBP1-G2000-01	2000 GPH	12V	8.5A	6m/19'	1m/3'	1-1/8" (29mm)	1.13/1.21 kg
SFBP2-G2000-01	2000 GPH	24V	5.0A	6m/19'	1m/3'	1-1/8" (29mm)	1.13/1.21 kg



Blister



**Non-automatic Bilge Pumps 01 Series (3000 / 3500 / 4700 GPH)**



Model	Flow rate	Volts	Current	Head	Wire lead	Outlet Dia.	N.W./G.W.
SFBP1-G3000-01	3000 GPH	12V	14.0A	8m/26'	1m/3'	1-1/2" (40mm)	2.10/2.37 kg
SFBP2-G3000-01	3000 GPH	24V	7.0A	8m/26'	1m/3'	1-1/2" (40mm)	2.10/2.37 kg
SFBP1-G3500-01	3500 GPH	12V	16.0A	8m/26'	1m/3'	1-1/2" (40mm)	2.10/2.37 kg
SFBP2-G3500-01	3500 GPH	24V	8.0A	8m/26'	1m/3'	1-1/2" (40mm)	2.10/2.37 kg
SFBP1-G3700-01	3700 GPH	12V	16.0A	8m/26'	1m/3'	1-1/2" (40mm)	2.10/2.37 kg
SFBP2-G3700-01	3700 GPH	24V	8.0A	8m/26'	1m/3'	1-1/2" (40mm)	2.10/2.37 kg
SFBP1-G4700-01	4700 GPH	12V	17.0A	8m/26'	1m/3'	2" (50mm)	2.10/2.37 kg
SFBP2-G4700-01	4700 GPH	24V	8.5A	8m/26'	1m/3'	2" (50mm)	2.10/2.37 kg

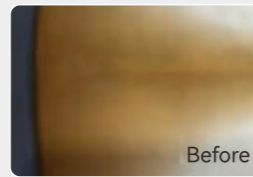


Blister





Color Box



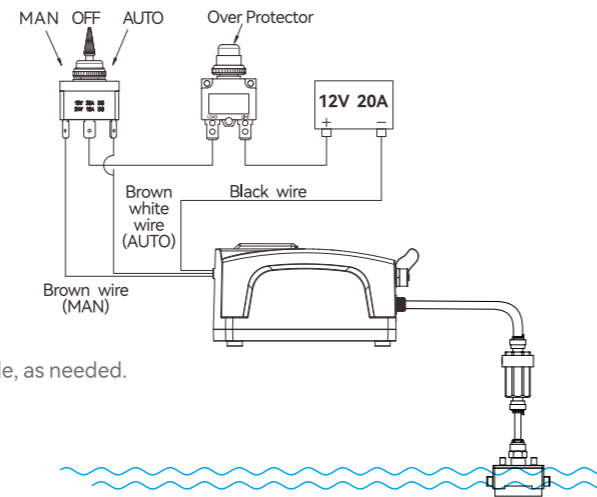
Before

After

## Dry Bilge System **PRO**

### FEATURES & BENEFITS

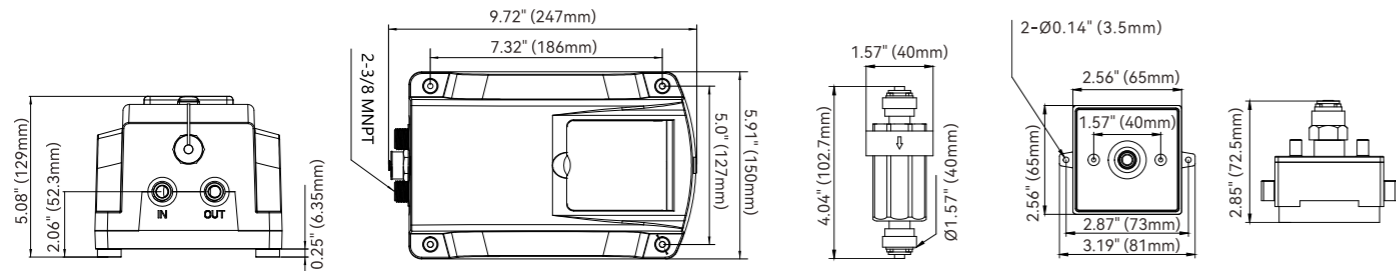
- 25' Self-priming suction allows the system to be remotely mounted.
- Thin (5/16") suction hose allows for easy bends and fits into tight spaces.
- Quick-connect fittings allow for simple plumbing installation.
- High absorption suction base ensures a dry bilge.
- User program mable timer allows the user to activate the system asmuch, or as little, as needed.
- Ignition Protected- ISO 8846 Marine / SAE J1171 Marine.



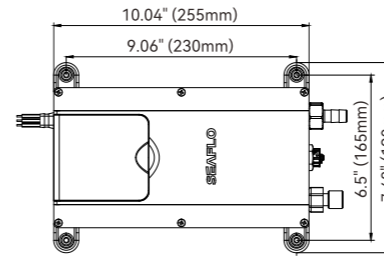
### Included



High Absorption Suction Base    In-Line Strainer    25' 8mm Suction Hose    Spare Suction Sponge    Adapter x1    Tower Fitting    Quick-Connect Wiring Connector



Model	Volts	Max Draw	Open Flow	Inlet Dia	Outlet Dia
SFDBS1-02	12V	6A	1.7 LPM	5/16"	5/16"
SFDBS2-02	24V	3A	1.7 LPM	5/16"	5/16"



### Included



High Absorption Suction Base x 1    In-Line Strainer x 1    25' 5/16" Suction Hose x 1    Spare Suction Sponge x 5    Automatic-Off-Manual Toggle Switch

Model	Voltage	Max Draw	Open Flow	Inlet Dia	Outlet Dia
SFDBS1-01	12V	5.5 A	1 LPM / 0.3GPM	5/16"	1/2" Barb
SFDBS2-01	24V	2.75 A	1 LPM / 0.3GPM	5/16"	1/2" Barb

## 4 Suction Zone Splitter

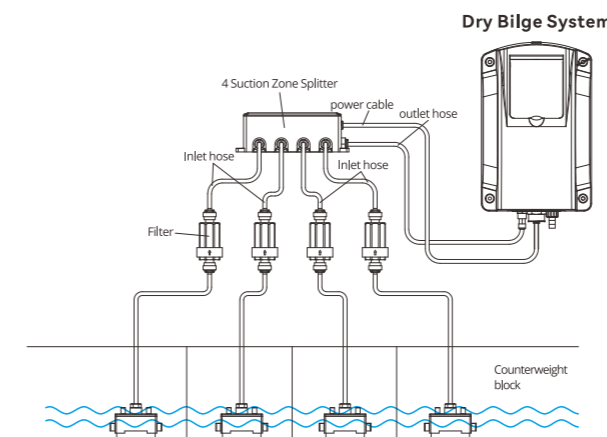
- Use with the SEAFLO Dry Bilge System to keep bilges clean and dry
- The valve has 4 inlet and 1 outlets
- Water inlet port and outlet port diameter are 5/16"(8mm)
- High absorption suction base ensures a dry bilge
- Quick-connect fittings allow for simple plumbing installation



Color Box



4 Suction Zone Splitter

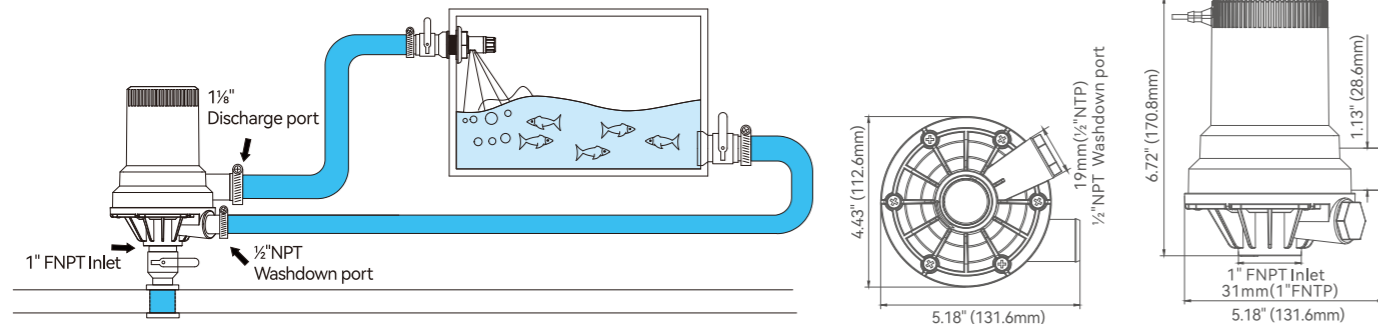


High Absorption Suction Base x 4    In-Line Strainer x 4    25' 5/16" Suction Hose x 4    Spare Suction Sponge x 8

Model	Voltage	Power	Pressure	size
SFSV1-02A	12V	10W	1-150PSI	6.93" x 3.07" x 2.41"
SFSV2-02A	24V	10W	1-150PSI	6.93" x 3.07" x 2.41"

### Dual Port Livewell Pump 1600 GPH

1600 GPH (6054 LPH) dual port, 12V & 24V  
Dual port base design for easy customer selection  
Silent and vibration-free operation  
Easy to install and remove for cleaning  
Anti-airlock feature, heavy-duty long-life motor  
Can be easily installed into any valve fitting with 1" NPT male thread

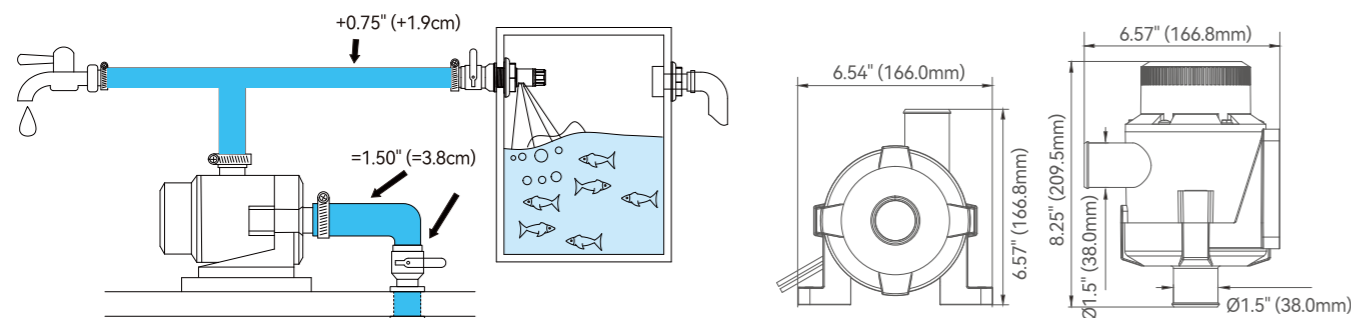


#### Standard Pump Configurations

Model	Flowrate (GPH/LPH)	Volts	Amp Draw	Head	Inlet Ports	Outlet Port
SFBP1-G1600-01A	1600 / 6057	12V	8.4A	13.77' (4.2m)	1" NPT / 31mm	1 1/2" and 1/2" NPT
SFBP2-G1600-01A	1600 / 6057	24V	4.2A	13.77' (4.2m)	1" NPT / 31mm	1 1/2" and 1/2" NPT

### General Purpose Pump 3800 GPH

Easy to install and remove for cleaning  
Compact, efficient and long-life motor  
Entirely Submersible  
Rust and corrosion proof  
Silent and vibration-free operation  
Shock-absorbing reinforced base  
Anti-Airlock protection  
1.5" (38mm) Discharge port



#### Standard Pump Configurations

Model	Flow rate (GPH/LPH)	Volts	Amp Draw	Fuse Size	Head	Ports
SFBP1-G3800-01A	3800/14383	12V	15.5A	25A	17.38' (5.3m)	1 1/2" / 38mm
SFBP2-G3800-01A	3800/14383	24V	6.9A	15A	17.38' (5.3m)	1 1/2" / 38mm

### Portable Aerator Kit 09 Series 350 GPH

Aerates from 5 to 30 gallons (19 to 113 liters) of water.  
The SEAFLO 350 GPH (1325 LPH) pump attaches easily to any non-porous surface.  
9.4" (240 mm) long spray tube can be custom cut to fit into any container.  
A fully adjustable spray head increases or reduces flow of water.  
Foam filtration system keeps water sparkling clean.  
The kit also includes battery clips for easy attachment to your 12 volt power source.  
18 AWG, 1 m long Leads



Model	Flow rate	Volts	Current	Head	Wire lead	Outlet Dia.	N.W./G.W.
SFBP1-G350-09	350 GPH	12V	1.0 A	1.5 m / 5'	1 m / 3'	3/4" (19mm)	0.32 / 0.42 kg

### Portable Aerator Kit 10 Series 350 GPH

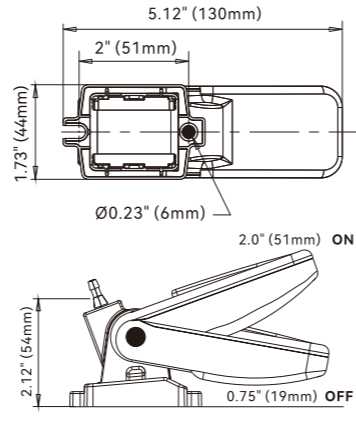
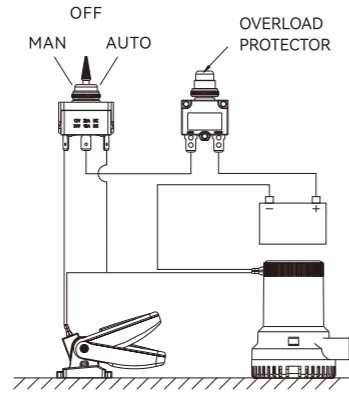
Aerates from 5 to 30 gallons (19 to 113 liters) of water.  
The SEAFLO 350 GPH (1325 LPH) pump attaches easily to any non-porous surface.  
6.3" (160 mm) long spray tube, 13.8" (350 mm) hosepipe can be custom cut to fit into any container.  
A fully adjustable spray head increases or reduces flow of water.  
Foam filtration system keeps water sparkling clean.  
The kit also includes battery clips for easy attachment to your 12 volt power source.  
18 AWG, 1 m long Leads



Model	Flow rate	Volts	Current	Head	Wire lead	Outlet Dia.	N.W./G.W.
SFBP1-G350-10	350 GPH	12V	1.0 A	1.5 m / 5'	1 m / 3'	3/4" (19mm)	0.32 / 0.42 kg

### Float Switch 01 Series

Ideal flow sensor for bilge pumps  
20A Max.  
Heavy duty flow switch is designed for the toughest applications  
Turns pump on when water level reaches 2.0" (51 mm)

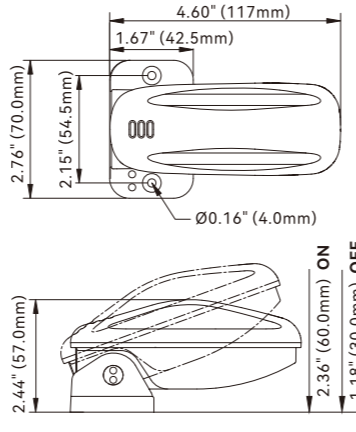
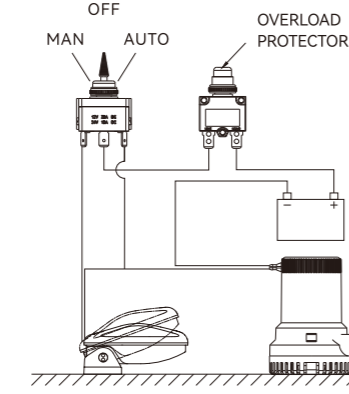


**Standard Pump Configurations**

Model	Max Amps 12volts	Max Amps 24volts	Wire Lead	Wire Gauge Size	N.W.
SFBS-20-01	20 A	10 A	3.28' (1 m)	18 AWG	0.16 kg

### Float Switch 02 Series

Ideal flow sensor for bilge pumps  
18A Max.  
Unique internal steel bearing activation  
Turns pump on when water level reaches 2.3" (60 mm)

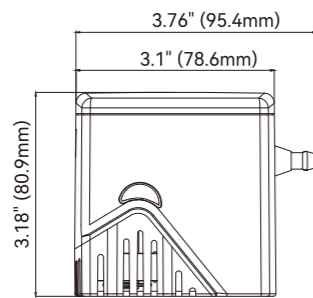


**Standard Pump Configurations**

Model	Max Amps 12volts	Max Amps 24volts	Wire Lead	Wire Gauge Size	N.W.
SFBS-18-02	18 A	8 A	3.28' (1 m)	16 AWG	0.14 kg

### Electromagnetic Float Switch 05 Series

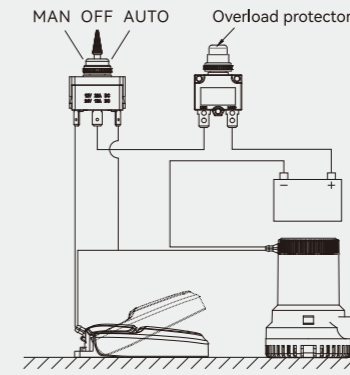
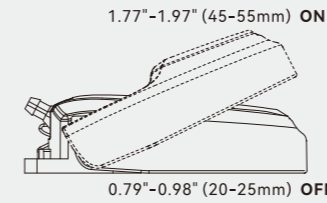
Innovative Electromagnetic Design  
Enclosed Construction Offers Advanced Reliability  
Strainer housing protects switch from debris  
Quick Attach Base Offers Simple Maintenance  
Works with Any Manual Bilge Pump  
Designed for Pumps Up To 25 Amps  
Mercury Free



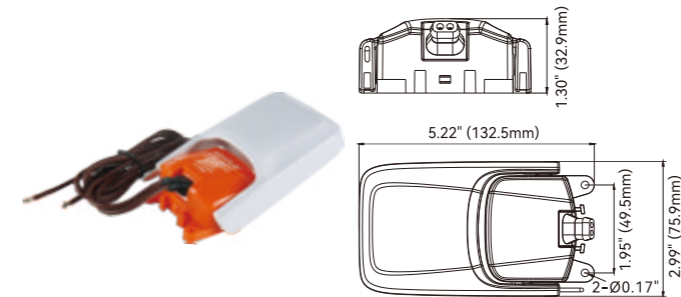
Model	Max Amps	Wire Gauge Size	Wire Lead	N.W.
SFBS-25-05	25 A	16 AWG	3.28' (1 m)	0.2 kg

### Float Switch 03/04 Series

Larger float and drive structure for better stability  
Amp draws up to 25 A (03 Series); Amp draws up to 12 A (04 Series)  
Idea flow sensor for bilge pump  
Mercury free  
Compact design, easy installation  
Strainer housing protects switch from debris  
Turn on when water level higher than 45-55 mm (1.77"-1.97")  
Turn off when water level lower than 20-25 mm (0.79"-0.98")

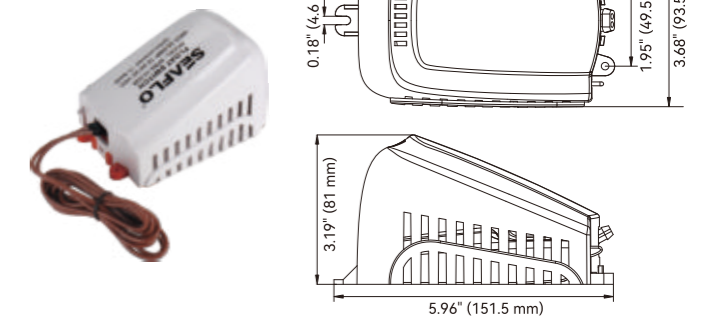


### Float Switch 03A



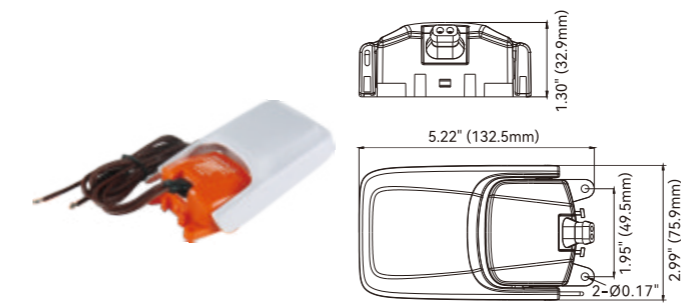
Model	MaxAmps	Wire Gauge Size	Wire Lead	N.W.	Filter Housing
SFBS-25-03A	25A	14AWG	3.28'(1m)	0.12kg	NO

### Float Switch 03B



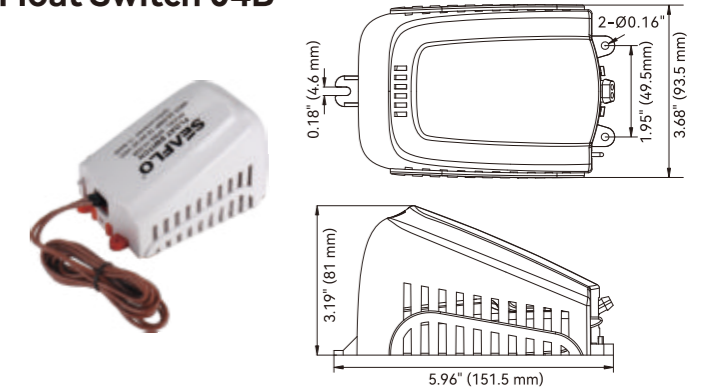
Model	MaxAmps	Wire Gauge Size	Wire Lead	N.W.	Filter Housing
SFBS-25-03B	25A	14AWG	3.28'(1m)	0.19 kg	YES

### Float Switch 04A



Model	MaxAmps	Wire Gauge Size	Wire Lead	N.W.	Filter Housing
SFBS-12-04A	12A	16AWG	3.28'(1m)	0.11 kg	NO

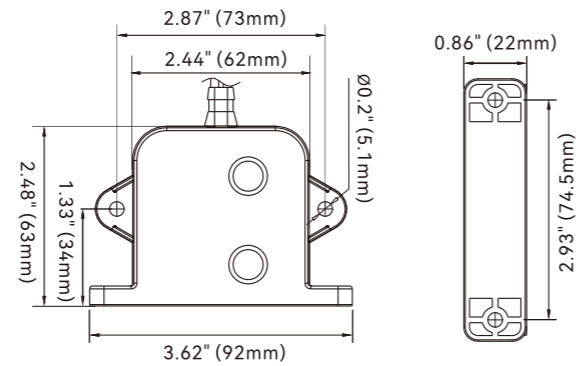
### Float Switch 04B



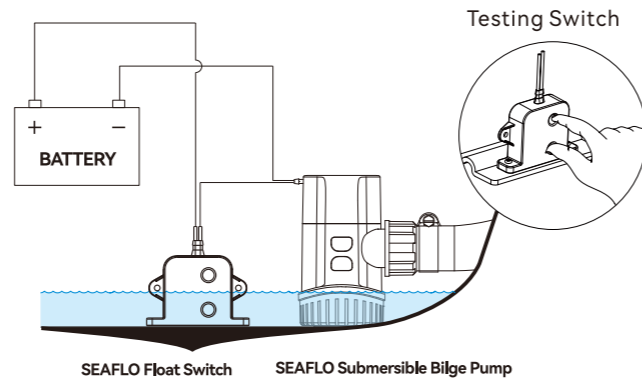
Model	MaxAmps	Wire Gauge Size	Wire Lead	N.W.	Filter Housing
SFBS-12-04B	12A	16AWG	3.28'(1m)	0.18 kg	YES

## Electric Field Bilge Switch 06 Series

Ideal for use with electric bilge pump  
Rated to handle pumps up to 20A at 12V or 10A at 24V  
No moving parts, totally sealed solid state electronics and field detectors  
No exposed sensors eliminate corrosion possibilities  
Activates at a 41mm (1.6") fluid level and deactivates at a 9.5 mm (0.37") fluid level  
A three second delay prevents false starts from water sloshing in the bilge  
Easy to install, mounted on either horizontal or vertical surface (e.g. bulkhead or hull)



Blister

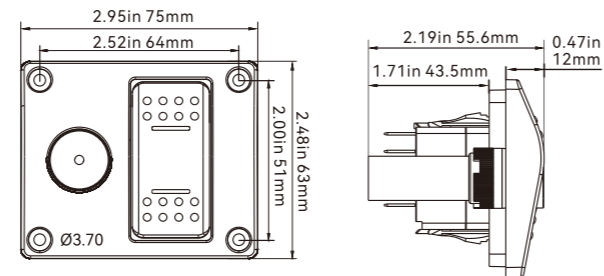


SEAFLO Float Switch SEAFLO Submersible Bilge Pump

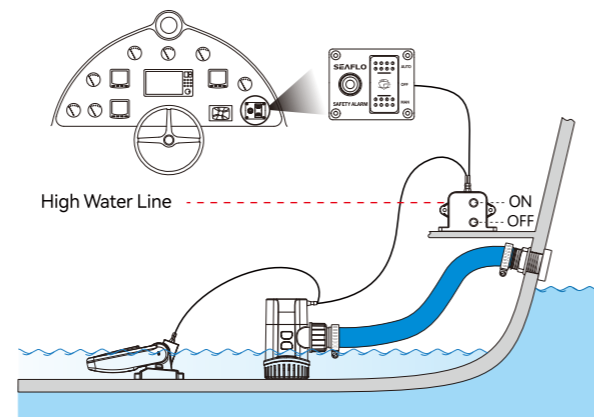
Model Number	Voltage	Current	Wire Gauge Size /length	N.W.
SFBS-20-06	12V/24V DC	20A at 12V or 10A at 24V	16AWG / 39.37" (1000mm)	0.1KG

## Alarm Switch Panel

- For use with seaflo electric field bilge switch, precise operation ensures proper bilge pumping and provides peace of mind
- Controls any pump equipped with an automatic float switch
- Unique 3-way switch disables piezo alarm while keeping warning LED lit
- Three way rocker switch allows alarm to be auto, turned off and man (AUTO-OFF-MAN)
- Marine switch panel, easy to install



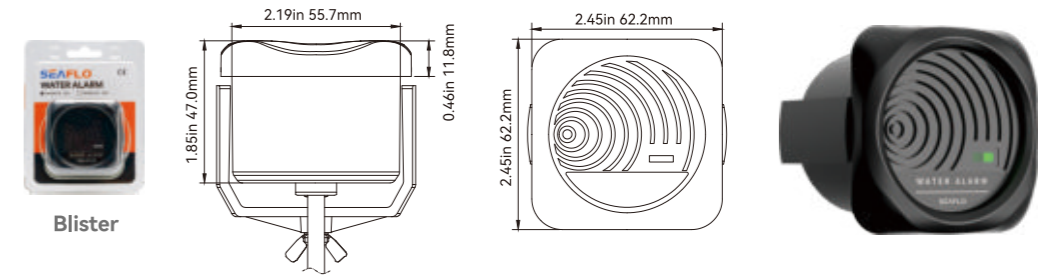
Blister



Model Number	Voltage	Current	Wire Gauge Size /length	Alarm volume	N.W.
SFASP1-01	12V DC	20 Amps. Max	16AWG/100mm	≥85DB	0.2KG
SFASP2-01	24V DC	10 Amps. Max	16AWG/100mm	≥85DB	0.2KG

## Water Alarm

- A safety reminder device integrating vision and hearing
- Allows an unarmed compartment to be constantly monitored



Blister

Model Number	Voltage	Current	Wire Gauge Size /length	Alarm volume	N.W.
SFWA1-01	12V DC	20 Amps. Max	28AWG/150mm	≥95DB	0.1KG
SFWA2-01	24V DC	10 Amps. Max	28AWG/150mm	≥95DB	0.1KG

## Alarm Control System

- Detects water and sends a signal (3 seconds delay) to the alarm and switch
- Switch activates the Bilge Pump at a 41mm/1.6" fluid level and deactivates at a 9.5mm/0.37" fluid level
- 3 second delay prevents false starts
- Totally sealed fluid detector is never in contact with water, will not corrode and is not affected by oil or debris



Blister

Model Number	Voltage	Current	Alarm volume	N.W.	Wire Gauge Size /length
SFWAS1-20-03	12V DC	20 Amps. Max	≥85DB	0.2KG	16AWG/1000mm (Bilge Switch)
SFWAS2-10-03	24V DC	10 Amps. Max	≥85DB	0.2KG	16AWG/100mm (Alarm Switch)

## Water Level Alarm System

- Consists of an electric field bilge switch and a 95 dB alarm
- Detects water and sends a signal (3 seconds delay) to the alarm
- Switch activates the Bilge Pump at a 41mm/1.6" fluid level and deactivates at a 9.5mm/0.37" fluid level
- 3 second delay prevents false starts
- Precision switch automatically activates and shuts off alarms when water reaches specific levels
- No moving parts, totally sealed solid state electronics and field detectors



Blister

Model Number	Voltage	Current	Alarm volume	N.W.	Wire Gauge Size /length
SFWAS1-20-01	12V DC	20 Amps. Max	≥95DB	0.2KG	18AWG/1000mm (Switch)
SFWAS2-10-01	24V DC	10 Amps. Max	≥95DB	0.2KG	28AWG/150mm (Alarm)

## High Water Bilge Alarm

- A safety reminder device integrating vision and hearing
- Consists of a float switch and a 95 DB alarm
- Allows an unarmed compartment to be constantly monitored
- Turn on when water level higher than 45-55mm (1.77"-1.97")  
Turn off when water level lower than 20-25mm (0.79"-0.98")
- The float switch comes with a filter housing to keep debris out

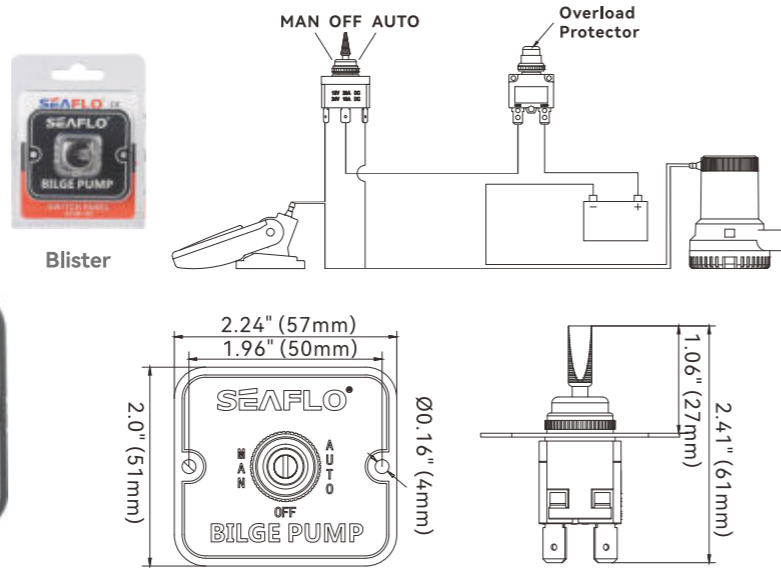
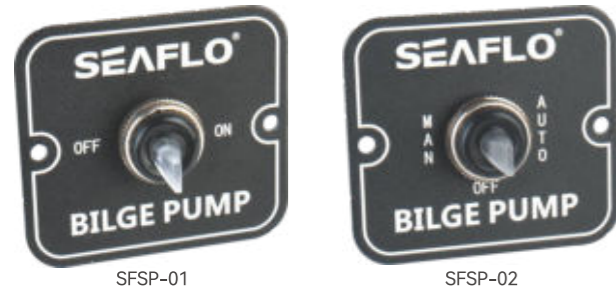


Blister

Model Number	Voltage	Current	Alarm volume	N.W.	Wire Gauge Size /length
SFWAS1-20-02	12V DC	20 Amps. Max	≥95DB	0.3KG	16AWG/1000mm (Switch)
SFWAS2-10-02	24V DC	10 Amps. Max	≥95DB	0.3KG	28AWG/150mm (Alarm)

### 2/3-way Switch Panel

Black aluminum panel  
Control any pump equipped with a float switch  
Prevent impact of intermittent high current  
Toggle of SFSP-01 has three positions (automatic, off, or manual)  
Toggle of SFSP-02 has "on" and "off" providing fingertip control

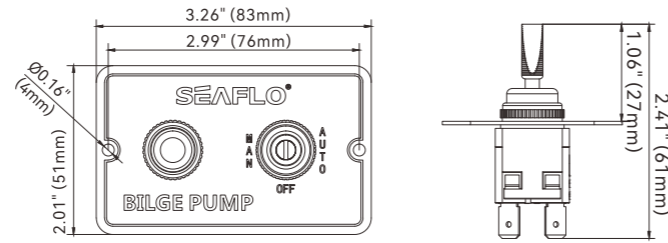


Model	Volts	Led Light	Panel Material	Position	N.W.	Dimension
SFSP-01	12V&24V	Yes	Aluminum	OFF-ON	45 g	2.24" x 2" (57 mm x 51 mm)
SFSP-02	12V&24V	Yes	Aluminum	MAN-OFF-AUTO	45 g	2.24" x 2" (57 mm x 51 mm)

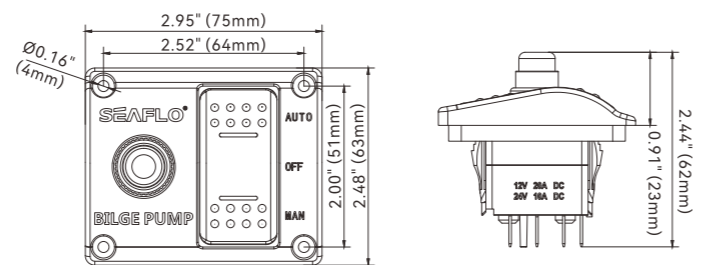
### 3-way Switch Panel

LED indicator when switch is on  
Control any pump equipped with a float switch  
Prevent impact of intermittent high current

Toggle has three positions (automatic, off, or manual)  
SFSP-015-01 is black aluminum panel  
SFSP-015-02 is black plastic panel



Model	Volts	Fuse	Led Light	Panel Material	Position	N.W.	Dimension
SFSP-015-01	12V&24V	15A	Yes	Aluminum	MAN-OFF-AUTO	60 g	3.26" x 2" (83 mm x 51 mm)



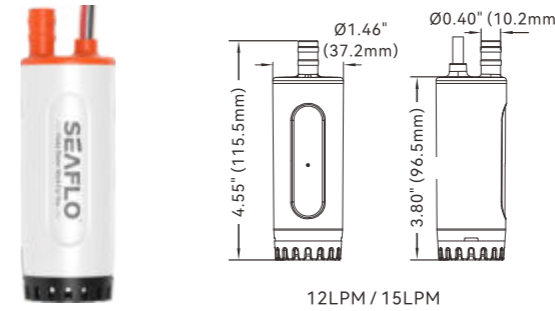
Model	Volts	Fuse	Led Light	Panel Material	Position	N.W.	Dimension
SFSP-015-02	12V&24V	15A	Yes	Plastic	MAN-OFF-AUTO	62 g	2.95" x 2.48" (75 mm x 63 mm)



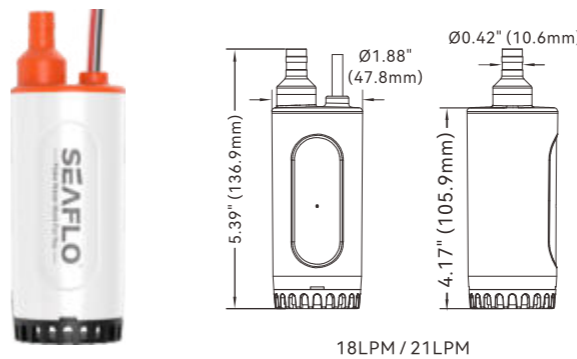
#### FEATURES & BENEFITS

- Quiet and vibration less operation
- Completely submersible
- With automatic ventilation
- Suitable for short dry runs
- Small size and light weight
- Easy to clean
- LFGB food grade certification

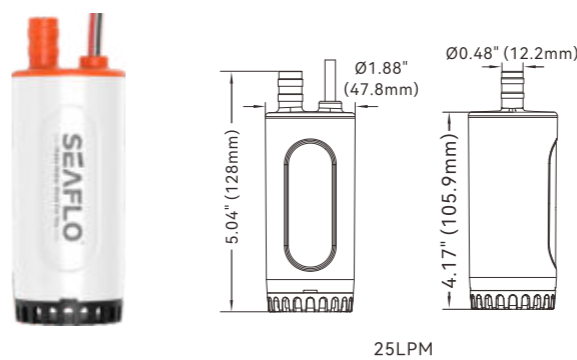
### Low Voltage Submersible Pump 02 Series 12/15/18/21/25 LPM



Model	SFSP1-L012-02	SFSP1-L015-02
Voltage	12V	12V
Max Amps	5.5 A	6.0 A
Flow rate	12 LPM	15 LPM
Bar	0.8 bar	1.0 bar
Head	8m / 26'	11m / 36'
Wire Lead	1 m / 3'	1 m / 3'
Features	Ventilation	Ventilation



Model	SFSP1-L018-02	SFSP1-L021-02
Voltage	12V	12V
Max Amps	8.0 A	10.0 A
Flow rate	18 LPM	21 LPM
Bar	1.2 bar	2.1 bar
Head	12m / 39'	16m / 52'
Wire Lead	1 m / 3'	1 m / 3'
Features	Ventilation, Check valve, Dry running protection	



Model	SFSP1-L025-02
Voltage	12V
Max Amps	10.0 A
Flow rate	25 LPM
Bar	2.1 bar
Head	16m / 52'
Wire Lead	1 m / 3'
Features	Ventilation, Dry running protection



## Galley Pump

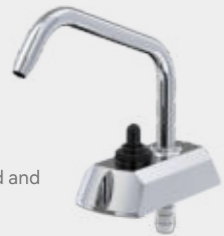
### FEATURES & BENEFITS

- Galley pump complete with tap, mounting clamp
- Suitable for pumping fresh water out of a tank to the provided faucet unit
- Not self-priming - needs to be mounted below water tank level
- Faucet unit is chrome plated and has switch to control pump
- Compact size and easy installation

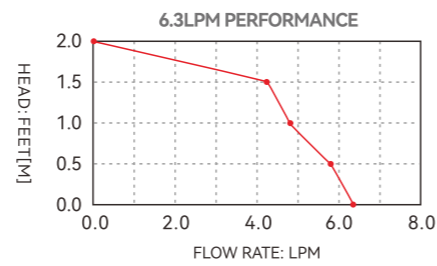
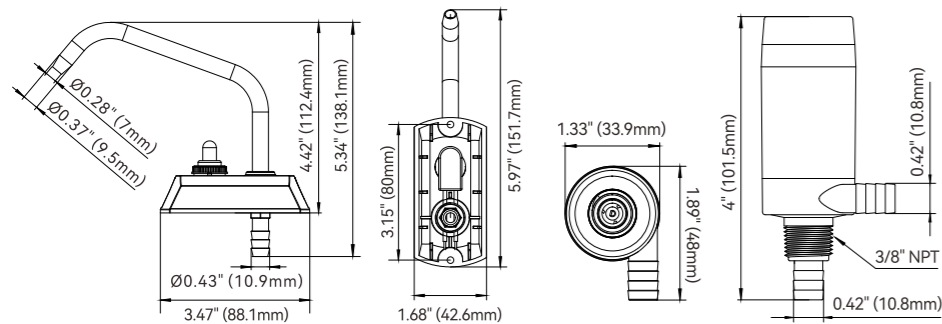
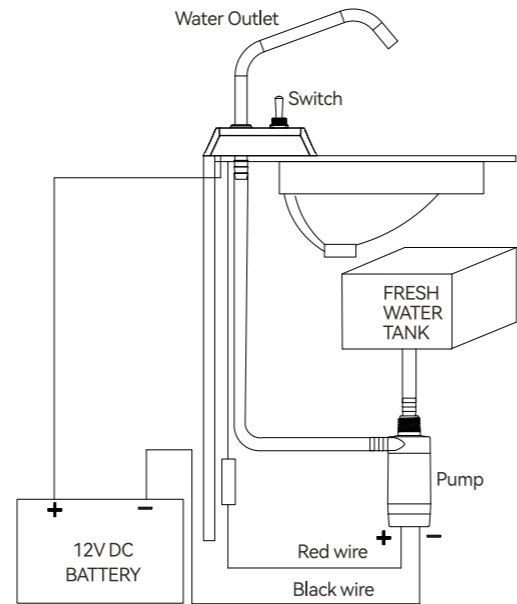
Sold separately

#### SFGPF-01 Faucet

Faucet unit is chrome plated and has switch to control pump



#### SFGPF-02 Mounting clamp (Rubber + S.S.304)



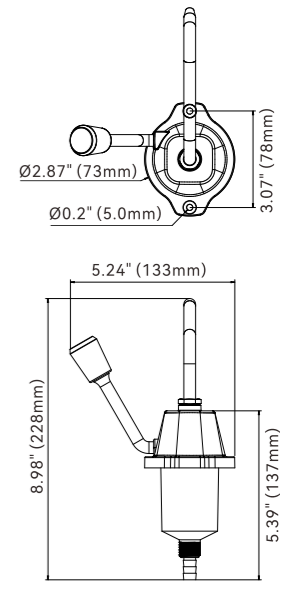
### Standard Pump Configurations

Model	Voltage	Flow rate	Current	Head	Hose Dia.	Package Includes
SFGP1-G100-01	12 V	100GPH / 6.3LPM	1.2 A	6.6ft / 2m	3/8" (10mm)	With Clamp
SFGP2-G100-01	24 V	100GPH / 6.3LPM	0.6 A	6.6ft / 2m	3/8" (10mm)	With Clamp
SFGP1-G100-01K	12 V	100GPH / 6.3LPM	1.2 A	6.6ft / 2m	3/8" (10mm)	With Clamp and Faucet
SFGP2-G100-01K	24 V	100GPH / 6.3LPM	0.6 A	6.6ft / 2m	3/8" (10mm)	With Clamp and Faucet

## Hand Galley Pump

### FEATURES & BENEFITS

- Easy to use, rotate the handle back and forth to pump water
- Built-in check valve prevents water back flow
- Self-priming to 8.2ft(2.5m)
- Can pump fresh or salt water



Model	Flow rate	Suction lift	Hose Dia.
SFGP-G60-02	60GPH / 228LPH	8.2ft / 2.5m	3/8" (10mm)

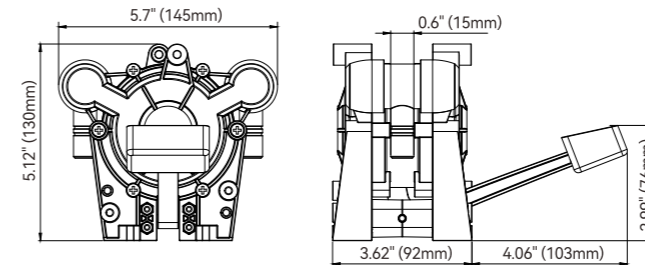
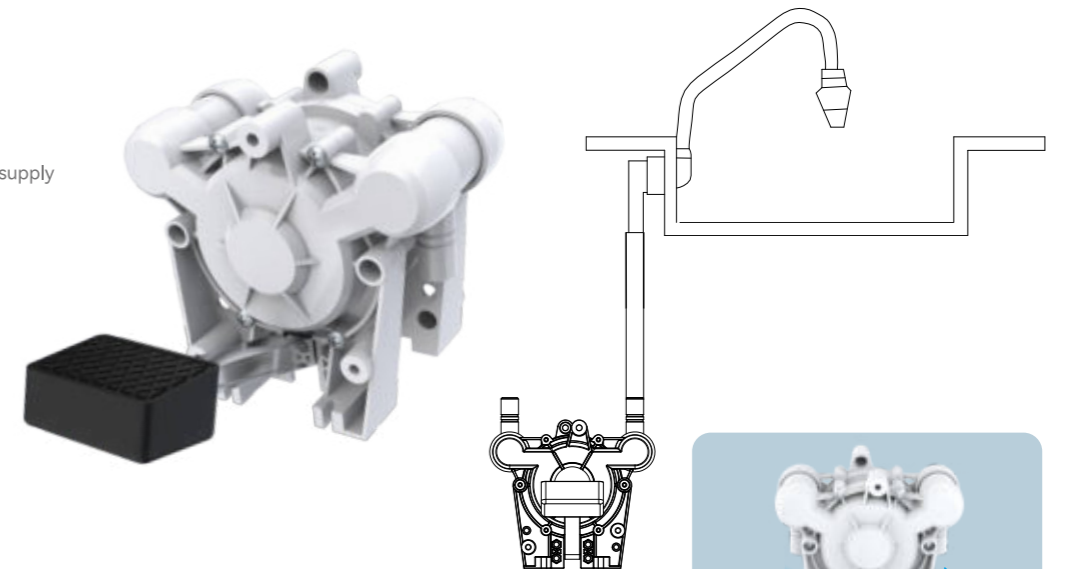
## Foot Galley Pump

### FEATURES & BENEFITS

- Foot operated diaphragm pump
- Self-priming and dry run capability
- 4 gallons per minute for a reliable water supply
- Marine-grade durable materials
- Simple to use, easy to install



Color Box

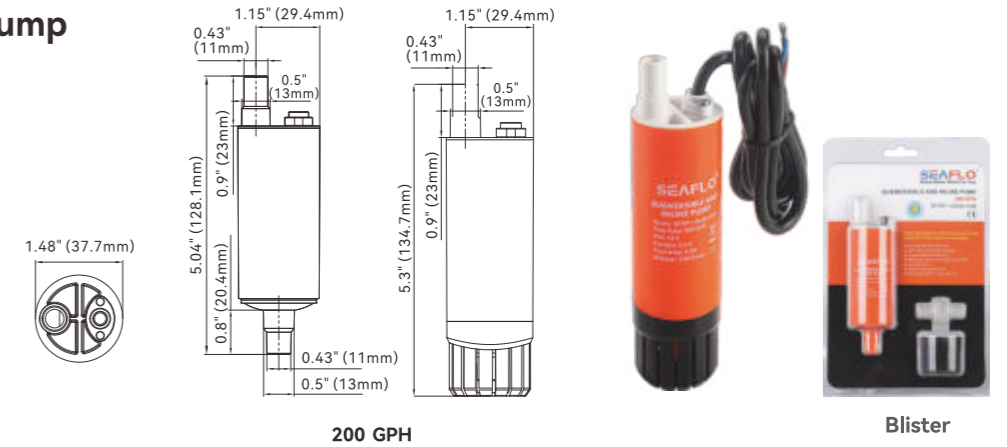


Model	Flow rate	Suction lift	Hose Dia.
SFGP-G240-03	240GPH / 908LPH	6ft / 2m	1/2" (12mm)



**Submersible And Line Pump**

- Able to pump 40 °C diesel , 80 °C sea water
  - Able to run about 20 minutes
  - Portable to carry on
  - Easy installation
  - Intermittent duty
- "A" refers to 5m leads with clip,  
"B" refers to 1m leads



Model	Flow Rate	Voltage	Max Draw	Fuse Amps	Head	Wire Lead	Outlet Dia.
SFSP1-G200-03B	200 GPH	12 V	4.5 A	7.5 A	5 m / 16.4'	1 m / 3'	2/5" / 1/2"

**Low Voltage Submersible Pump 01 Series 12/16 LPM**

**FEATURES & BENEFITS**

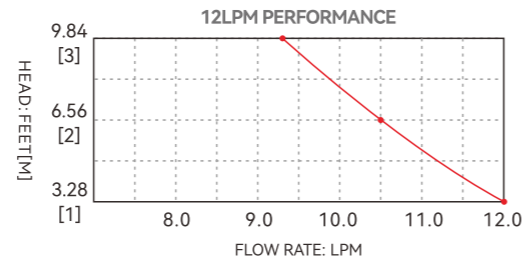
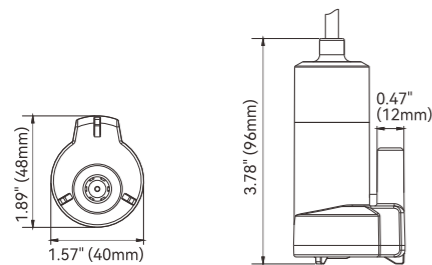
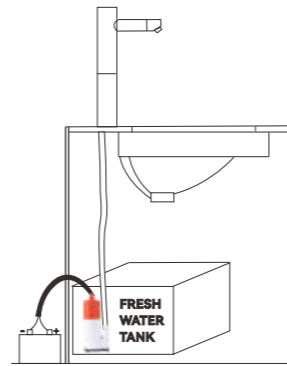
- Pumps up to 18 vertical feet
- 1/2" Outlet
- Ideal for backup battery sump
- Quiet and vibrationless operation
- Completely submersible
- 18 AWG, 1 m long Leads
- LFGB food grade certification

**PUMP**

- Priming Capabilities**  
Flooded suction
- Power**  
2.8 amps max current draw
- Flow**  
3.2 & 5.0 GPM Models Available

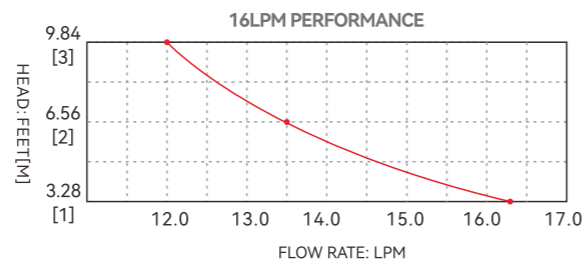
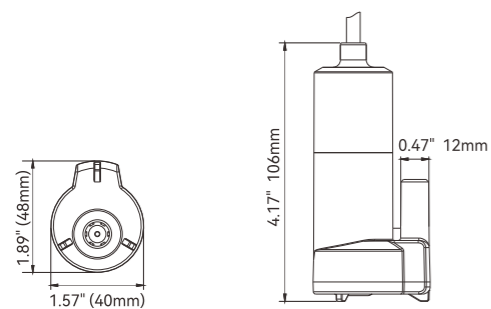
**MOTOR**

- Type**  
Compact, efficient, long life motor
- Temperature Limits**  
110 °F (43 °C) Max.
- Duty Cycle**  
Intermittent (30 minutes)



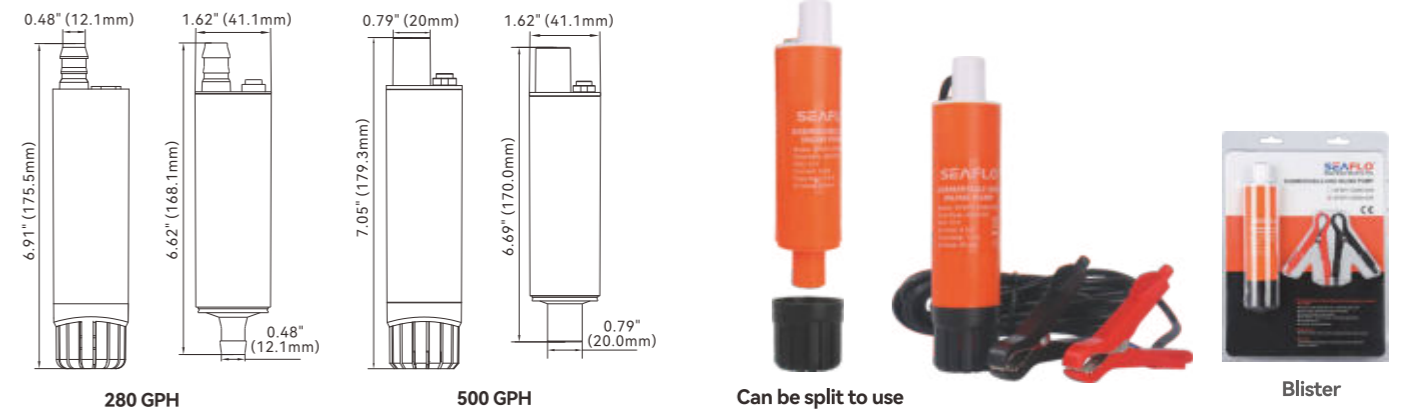
**Standard Pump Configurations**

Model	Voltage	MaxAmps	Flow rate	Bar	Head	Wire Lead	Outlet Dia.	N.W./G.W.
SFSP1-L012-01	12V	2.0A	12 LPM	0.6 bar	5 m / 16.4'	1 m / 3'	1/2" (12 mm)	0.16 / 0.18 kg

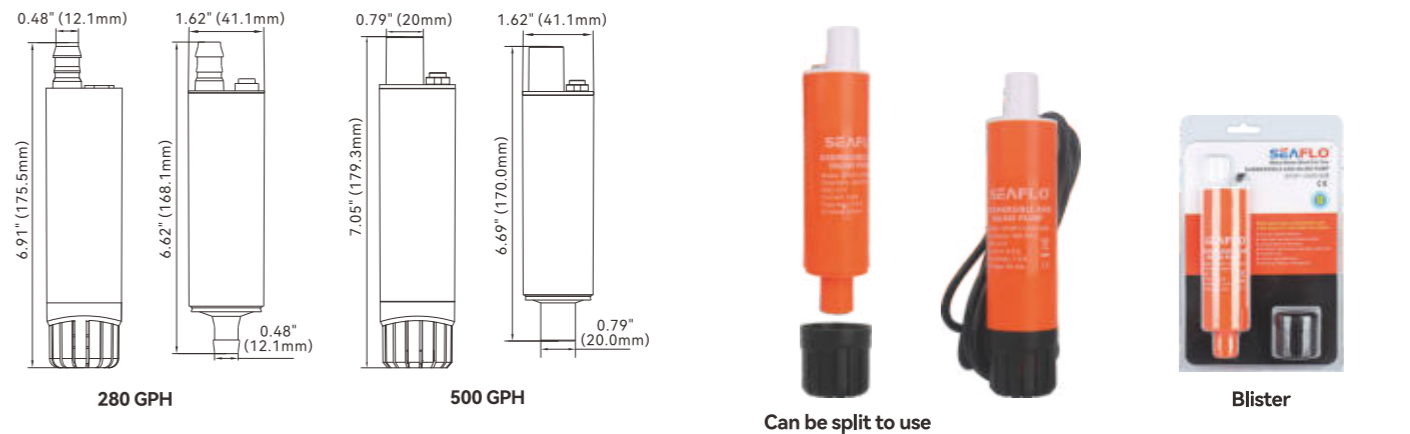


**Standard Pump Configurations**

Model	Voltage	MaxAmps	Flow rate	Bar	Head	Wire Lead	Outlet Dia.	N.W./G.W.
SFSP1-L016-01	12V	4.5A	16 LPM	0.6 bar	6 m / 19.7'	1 m / 3'	1/2" (12 mm)	0.24 / 0.26 kg



Model	Flow Rate	Voltage	Max Draw	Fuse Amps	Head	Wire Lead	Outlet Dia.
SFSP1-G280-02A	280 GPH	12V	4.5A	7.5A	7 m / 23'	5 m / 16'	1/2"
SFSP1-G500-02A	500 GPH	12V	4.5A	7.5A	7 m / 23'	5 m / 16'	3/4"



Model	Flow Rate	Voltage	Max Draw	Fuse Amps	Head	Wire Lead	Outlet Dia.
SFSP1-G280-02B	280 GPH	12V	4.5A	7.5A	7 m / 23'	1 m / 3'	1/2"
SFSP1-G500-02B	500 GPH	12V	4.5A	7.5A	7 m / 23'	1 m / 3'	3/4"

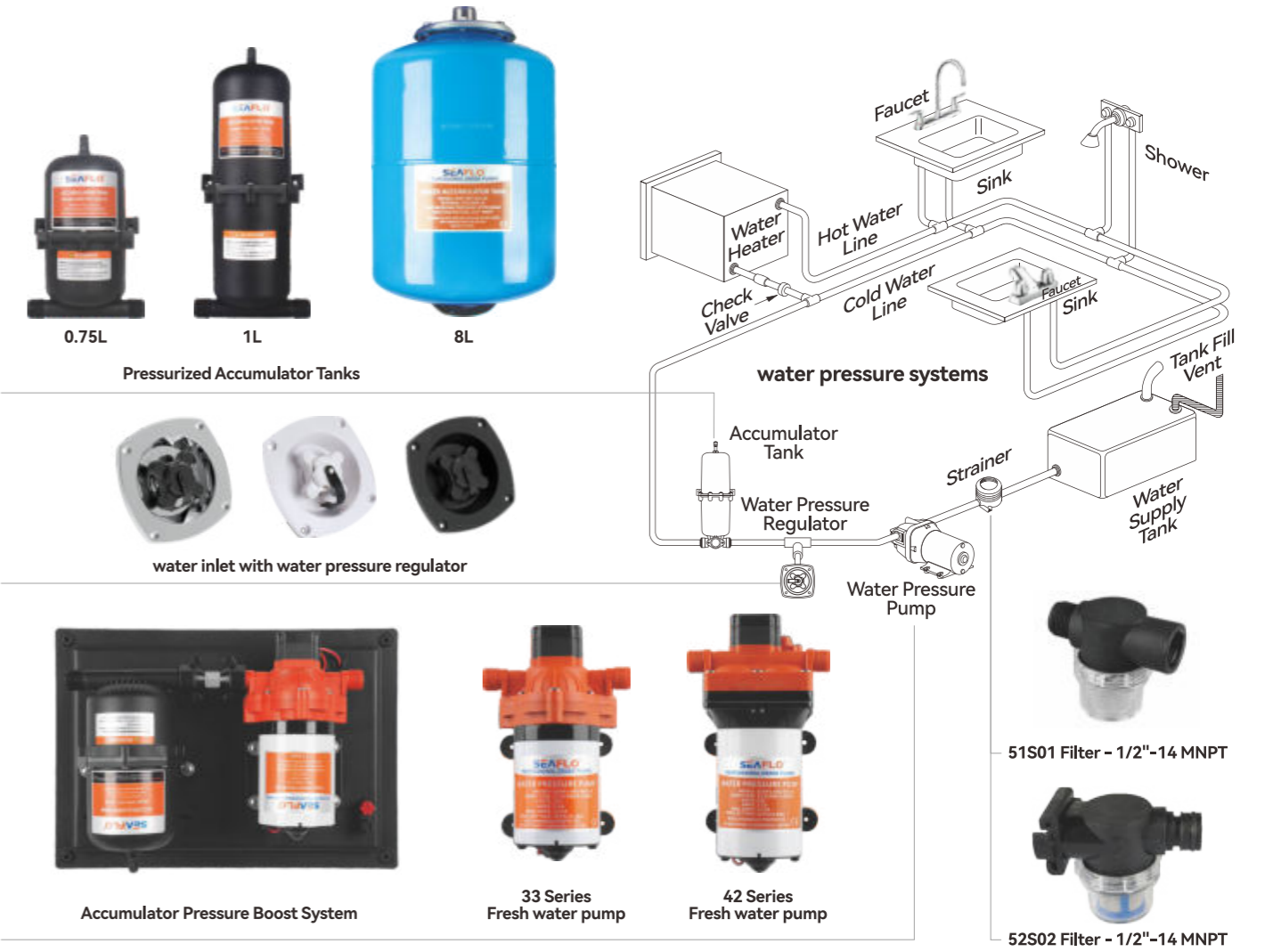
**Features & Benefits**

SEAFLO is a leading manufacturer of plumbing products for Marine, RV, Agricultural, Industrial, Construction and OEM Applications. Our Fresh Water Pumps are of uncompromised quality, with proven reliability, and a vast variety of options. Our Diaphragm Pumps are available in DC and AC currents, in flows from 0.7 GPM up to 7.0 GPM which can serve 2 to 5 3/8" (10 mm) or 1/2" (13 mm) outlets. This automatic demand water system pump has a built-in pressure switch, which automatically starts and stops when the faucet is opened and closed. Our tough design provides performance that you can rely on for years. Quality fresh water pumps you can trust with and 2 year warranty.

- Positive displacement pump
- Capable of supplying 2-5 fixtures
- Internal bypass technology reduces cycling (22/42/43/51 series)
- Can run dry
- Quiet operation
- Demand pump
- Low amp draw
- Open flow from 1.0 gpm/3.8lpm to 7.0 gpm/26.5 lpm
- Pressure from 17 psi/1.2 bar to 70 psi/4.8 bar
- Self priming up to 6 feet/1.8 m
- Industry standard mount pattern
- Completely rubber & iron mounting-base
- Adjustable pressure switch
- Easy connect fittings and strainers
- Marine grade blocked wiring



# WATER PRESSURE SYSTEMS





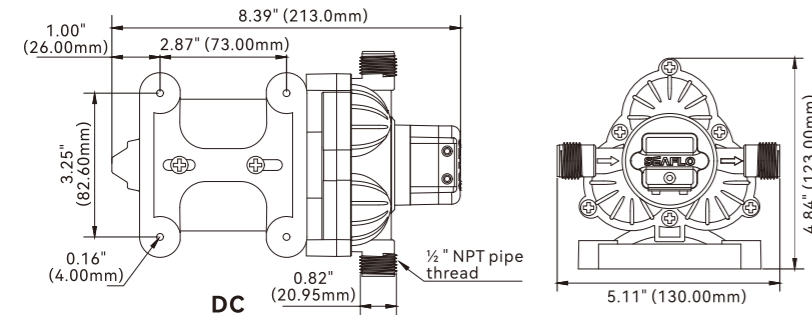
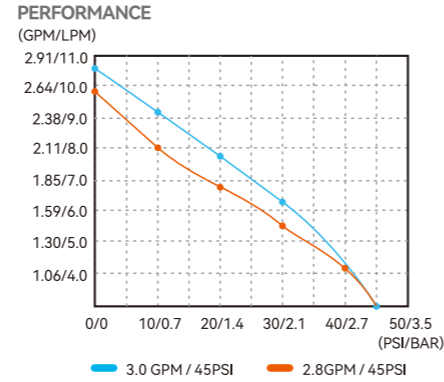
### 33 Series Water Pump

#### FEATURES & BENEFITS

- Capable of supplying 2-3 fixtures
- Up to 3.0 GPM
- Self priming
- Run dry safe
- Quiet operation
- On-demand use
- Industry Standard mounting pattern
- Completely rubber mounting-base
- Adjustable pressure switch
- 16 AWG, 4.5" (11.4 cm) long Leads

#### PUMP

- Max Recommended Temperature**  
140 °F (60 °C) Max.
- Priming Capabilities**  
6 feet (1.8 m) suction lift
- Inlet/Outlet Ports**  
½"-14 MNPT
- Weight**  
3.97 lbs (1.80 kg)



#### Standard Accessories



#### Standard Pump Configurations

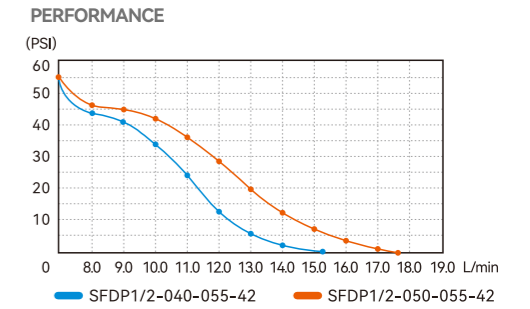
Model	Voltage	Control Type	GPM/LPM	PSI/BAR	Max Draw(A)	Valves	Diaphragm	Ports	Wire Connections
SFDP1-018-020-33	12 V	Switch	1.8/6.8	20/1.4	3.5	EPDM	Santoprene	½"-14 MNPT	2-Pin/Leads
SFDP1-020-020-33	12 V	Switch	2.0/7.57	20/1.4	4.5	EPDM	Santoprene	½"-14 MNPT	2-Pin/Leads
SFDP1-024-030-33	12 V	Switch	2.4/9.07	30/2.1	5.0	EPDM	Santoprene	½"-14 MNPT	2-Pin/Leads
SFDP1-028-045-33	12 V	Switch	2.8/10.6	45/3.1	7.5	EPDM	Santoprene	½"-14 MNPT	2-Pin/Leads
SFDP2-028-045-33	24 V	Switch	2.8/10.6	45/3.1	4.0	EPDM	Santoprene	½"-14 MNPT	2-Pin/Leads
SFDP1-030-045-33	12 V	Switch	3.0/11.3	45/3.1	8.5	EPDM	Santoprene	½"-14 MNPT	2-Pin/Leads
SFDP2-030-045-33	24 V	Switch	3.0/11.3	45/3.1	4.0	EPDM	Santoprene	½"-14 MNPT	2-Pin/Leads
SFDPA1-030-045-33	115 V	Demand	3.0/11.3	45/3.1	1.6	EPDM	Santoprene	½"-14 MNPT	Leads/Plug
SFDPA2-030-045-33	220 V	Demand	3.0/11.3	45/3.1	0.8	EPDM	Santoprene	½"-14 MNPT	Leads/Plug

### 42 Series Water Pump

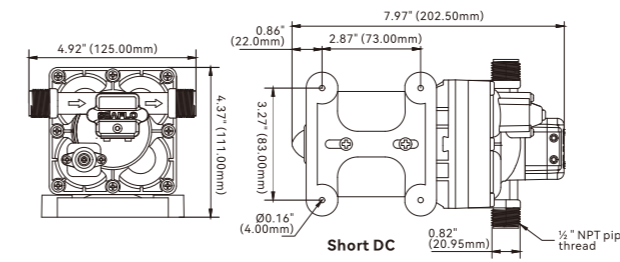
- Up to 3.0 GPM (short), 5.0 GPM (long)
- Self priming
- Run dry safe
- Quiet operation
- On-demand use
- Industry Standard mounting pattern
- Completely rubber mounting-base
- Internal bypass technology reduces cycling
- 16 AWG, 9.4" (23.8 cm) long Leads
- 14 AWG, 9.4" (23.8 cm) long Leads

#### PUMP

- Max Recommended Temperature**  
140 °F (60 °C) Max.
- Priming Capabilities**  
6 feet (1.8 m) suction lift
- Inlet/Outlet Ports**  
½"-14 MNPT

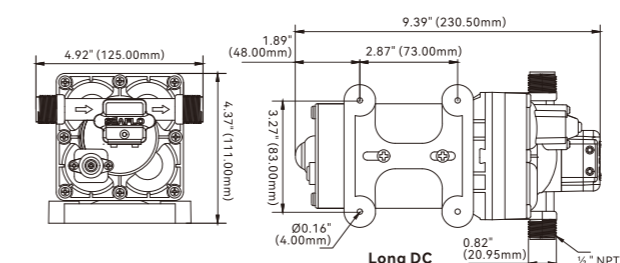


### 42 Series Water Pump (short motor)



Model	Voltage	Control Type	GPM/LPM	PSI/BAR	Max Draw(A)	Valves	Diaphragm	Ports	Wire Connections
SFDP1-020-025-42	12 V	Switch & By pass	2.0/7.57	25/1.7	4.5	EPDM	Santoprene	½"-14 MNPT	2-Pin/Leads
SFDP1-030-055-42	12 V	Switch & By pass	3.0/11.3	55/3.8	7.5	EPDM	Santoprene	½"-14 MNPT	2-Pin/Leads
SFDP2-030-055-42	24 V	Switch & By pass	3.0/11.3	55/3.8	4.0	EPDM	Santoprene	½"-14 MNPT	2-Pin/Leads
SFDPA1-030-055-42	115 V	Switch & By pass	3.0/11.3	55/3.8	1.1	EPDM	Santoprene	½"-14 MNPT	Leads/Plug
SFDPA2-030-055-42	220 V	Switch & By pass	3.0/11.3	55/3.8	0.5	EPDM	Santoprene	½"-14 MNPT	Leads/Plug

### 42 Series Water Pump (long motor)



Model	Voltage	Control Type	GPM/LPM	PSI/BAR	Max Draw(A)	Valves	Diaphragm	Ports	Wire Connections
SFDP1-040-035-42	12 V	Switch & By pass	4.0/15.1	35/2.4	12.0	EPDM	Santoprene	½" MNPT	2-Pin/Leads
SFDP2-040-035-42	24 V	Switch & By pass	4.0/15.1	35/2.4	6.0	EPDM	Santoprene	½" MNPT	2-Pin/Leads
SFDP2-050-035-42	24 V	Switch & By pass	5.0/18.9	35/2.4	7.0	EPDM	Santoprene	½" MNPT	2-Pin/Leads
SFDP1-040-055-42	12 V	Switch & By pass	4.0/15.1	55/3.8	14.00	EPDM	Santoprene	½" MNPT	2-Pin/Leads
SFDP2-040-055-42	24 V	Switch & By pass	4.0/15.1	55/3.8	7.00	EPDM	Santoprene	½" MNPT	2-Pin/Leads
SFDP1-050-055-42	12 V	Switch & By pass	5.0/18.9	55/3.8	15.00	EPDM	Santoprene	½" MNPT	2-Pin/Leads
SFDP2-050-055-42	24 V	Switch & By pass	5.0/18.9	55/3.8	7.50	EPDM	Santoprene	½" MNPT	2-Pin/Leads
SFDPA1-040-055-42	115V	Switch & By pass	4.0/15.1	55/3.8	1.80	EPDM	Santoprene	½" MNPT	Leads/Plug
SFDPA2-040-055-42	220V	Switch & By pass	4.0/15.1	55/3.8	0.85	EPDM	Santoprene	½" MNPT	Leads/Plug

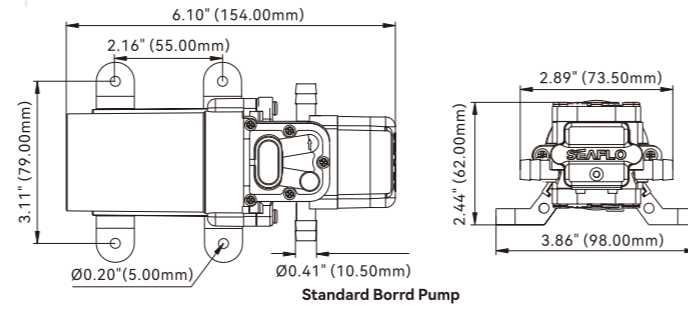
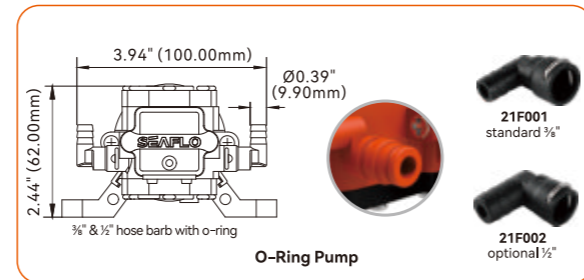
## 21 Series Water Pump

### FEATURES & BENEFITS

- Capable of supplying 1-2 fixtures
- Compact design
- On-demand pressure switch
- Adjustable pressure setting
- Can run dry
- Quiet operation
- Industry standard mounting pattern
- 18 AWG, 13" (33 cm) long Leads

### PUMP

- Max Recommended Temperature**  
110 °F (43 °C) Max.
- Priming Capabilities**  
4 feet (1.2 m) suction lift
- Inlet/Outlet Ports**  
3/8" hose barb  
(Custom O-Ring Outlets available)
- Weight**  
1.25 lbs (0.57 kg)



Color Box

Model	Voltage	GPM/LPM	Control Type	Amps	PSI/BAR	Valves	Diaphragm	Ports
SFDP1-010-040-21	12V	1.0/3.8	Switch	4.0 MAX	40/2.8	EPDM	Santoprene	3/8" Barb (or Custom O-Ring)
SFDP2-010-040-21	24V	1.0/3.8	Switch	2.0 MAX	40/2.8	EPDM	Santoprene	3/8" Barb (or Custom O-Ring)
SFDP1-011-070-21	12V	1.1/4.2	Switch	4.5 MAX	70/4.8	EPDM	Santoprene	3/8" Barb (or Custom O-Ring)
SFDP1-012-035-21	12V	1.2/4.5	Switch	4.0 MAX	35/2.4	EPDM	Santoprene	3/8" Barb (or Custom O-Ring)
SFDP2-012-035-21	24V	1.2/4.5	Switch	2.5 MAX	35/2.4	EPDM	Santoprene	3/8" Barb (or Custom O-Ring)

Inquire about other configurations, or valve and diaphragm materials

## 23A Series Water Pump

### FEATURES & BENEFITS

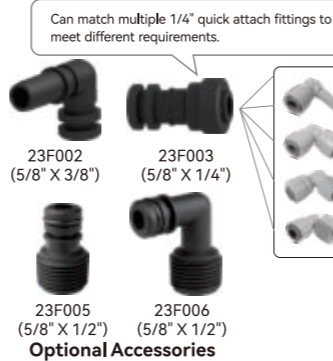
- Open flow up to 1.5gpm/5.6lpm
- Dry run capability
- Max Self-priming up to 5 feet/1.5m
- Waterproof grade IP54 with extra cover
- 2 feet (0.6m) suction lift for 0.5 and 0.7gpm
- 5 feet (1.5m) suction lift for 1, 1.2 and 1.5gpm
- On-demand long life pressure switch
- Configurable reflux function
- Adapt to a variety of scenarios
- Multiple connector options
- Ignition protected, CE, RoHS

### PUMP

- Max Recommended Temperature**  
140 °F (60 °C) Max.
- Priming Capabilities**  
2 feet (0.6m) suction lift for 0.5 and 0.7gpm  
5 feet (1.5m) suction lift for 1, 1.2 and 1.5gpm
- Inlet/Outlet Ports**  
5/8" quick connector
- Weight**  
1.54 lbs (0.7 kg)



LARGE FLOW  
Up to 1.5gpm  
5.6lpm



Color Box

Standard Accessories  
23F001(5/8" x 3/8") x 2

Model	Voltage	GPM/LPM	Control Type	Amps	PSI/BAR	Valves	Diaphragm	Ports
SFDP1-010-040-23A	12V	1.0/3.8	Switch	3.8Max	40/2.8	EPDM	Santoprene	5/8" quick attach
SFDP2-010-040-23A	24V	1.0/3.8	Switch	2.0Max	40/2.8	EPDM	Santoprene	5/8" quick attach
SFDP1-012-040-23A	12V	1.2/4.5	Switch	4.2Max	40/2.8	EPDM	Santoprene	5/8" quick attach
SFDP2-012-040-23A	24V	1.2/4.5	Switch	2.2Max	40/2.8	EPDM	Santoprene	5/8" quick attach
SFDP1-015-040-23A	12V	1.5/5.6	Switch	4.5Max	40/2.8	EPDM	Santoprene	5/8" quick attach
SFDP2-015-040-23A	24V	1.5/5.6	Switch	2.5Max	40/2.8	EPDM	Santoprene	5/8" quick attach

Inquire about other configurations, or valve and diaphragm materials

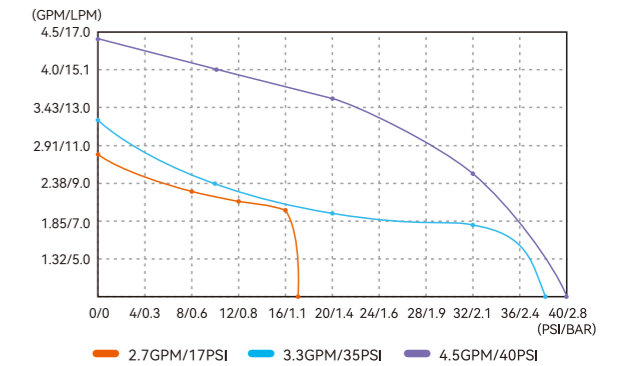
## 41 Series Water Pump

- Up to 3.3 GPM (short), 4.5 GPM (long)
- Can supply up to 3 fixtures (short)
- Can supply up to 4 fixtures (long)
- Quick-Connect fittings
- Self priming
- Run dry safe
- On-demand use
- Industry Standard mounting pattern
- Rubber mounting-feet
- Can be used for Fresh & Salt Water
- 16 AWG, 4.5" (11.4 cm) long Leads

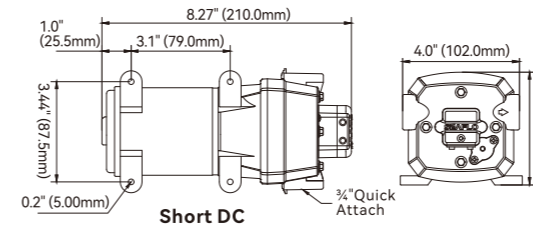
### PUMP

- Max Recommended Temperature**  
140 °F (60 °C) Max.
- Priming Capabilities**  
6 feet (1.8 m) suction lift
- Inlet/Outlet Ports**  
Quick Attach

### PERFORMANCE



## 41 Series Water Pump (short motor)



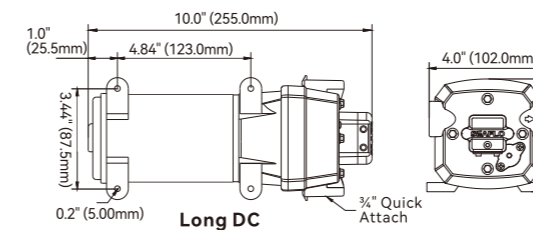
Short DC



Color Box

Model	Voltage	Control Type	GPM/LPM	PSI/BAR	Max Draw(A)	Valves	Diaphragm	Ports	Wire Connections
SFDP1-027-017-41	12V	Switch & By pass	2.7/10.2	17/1.2	4.5	EPDM	Santoprene	Quick Attach	2-Pin/Leads
SFDP2-027-017-41	24V	Switch & By pass	2.7/10.2	17/1.2	2.0	EPDM	Santoprene	Quick Attach	2-Pin/Leads
SFDP1-033-035-41	12V	Switch & By pass	3.3/12.5	35/2.4	8.0	EPDM	Santoprene	Quick Attach	2-Pin/Leads
SFDP2-033-035-41	24V	Switch & By pass	3.3/12.5	35/2.4	4.0	EPDM	Santoprene	Quick Attach	2-Pin/Leads
SFDP1-033-035-41	115V	Demand & By pass	3.3/12.5	35/2.4	1.2	Viton	Santoprene	Quick Attach	Leads/Plug
SFDP2-033-035-41	220V	Demand & By pass	3.3/12.5	35/2.4	0.5	Viton	Santoprene	Quick Attach	Leads/Plug

## 41 Series Water Pump (long motor)



Long DC



Color Box

Model	Voltage	Control Type	GPM/LPM	PSI/BAR	Max Draw(A)	Valves	Diaphragm	Ports	Wire Connections
SFDP1-045-040-41	12V	Switch & By pass	4.5/17.0	40/2.8	16.5	EPDM	Santoprene	Quick Attach	2-Pin/Leads
SFDP2-045-040-41	24V	Switch & By pass	4.5/17.0	40/2.8	8.0	EPDM	Santoprene	Quick Attach	2-Pin/Leads
SFDP1-045-040-41	115V	Demand & By pass	4.5/17.0	40/2.8	1.7	EPDM	Santoprene	Quick Attach	Leads/Plug
SFDP2-045-040-41	220V	Demand & By pass	4.5/17.0	40/2.8	0.9	EPDM	Santoprene	Quick Attach	Leads/Plug

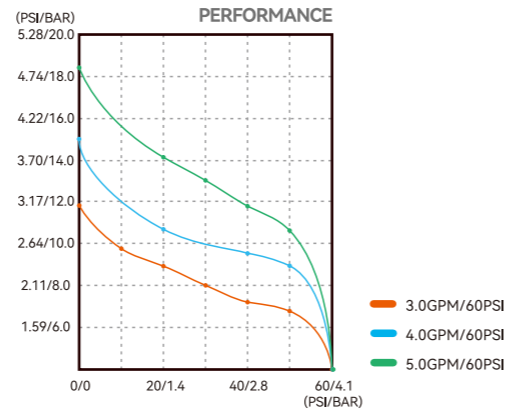
## 51 New Series Water Pump / 55 Series Water Pump With Bypass

### FEATURES & BENEFITS

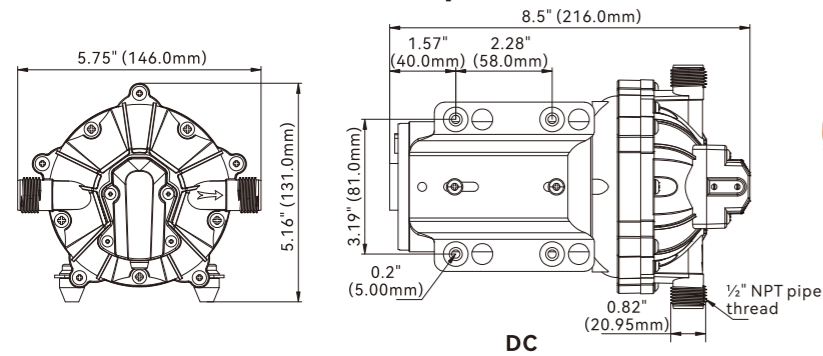
- Precise pressure control and stable performance
- Good sealing performance, waterproof and dustproof
- Low starting pressure, reduces cycling
- Good heat dissipation
- Longer pump life
- Can supply up to 4 fixtures
- Run dry capable for normal workloads
- Very quiet operation
- On-demand only
- Fresh water or salt water available
- 16 AWG, 9"(22.8 cm) long leads

### PUMP

- Max Recommended Temperature**  
140 °F (60 °C) Max.
- Priming Capabilities**  
6 feet (1.8 m) suction lift
- Inlet/Outlet Ports**  
½" MNPT
- Weight**  
5.9 lbs (2.68 kg)

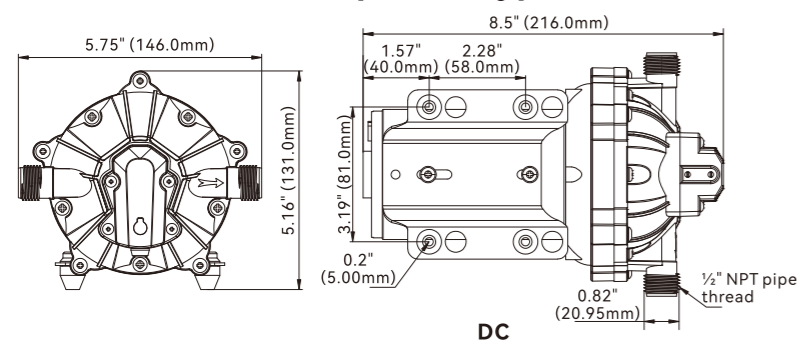


## 51 New Series Water Pump



Model	Voltage	Control Type	GPM/LPM	PSI/BAR	Max Draw(A)	Valves	Diaphragm	Ports	Wire Connections
SFDP1-040-060-51 NEW	12V	Switch	4.0/15.1	60/4.2	14.0	EPDM	Santoprene	½"-14 MNPT	2-Pin/Leads
SFDP2-040-060-51 NEW	24V	Switch	4.0/15.1	60/4.2	7.0	EPDM	Santoprene	½"-14 MNPT	2-Pin/Leads
SFDP1-050-060-51 NEW	12V	Switch	5.0/18.9	60/4.2	17.0	EPDM	Santoprene	½"-14 MNPT	2-Pin/Leads
SFDP2-050-060-51 NEW	24V	Switch	5.0/18.9	60/4.2	8.0	EPDM	Santoprene	½"-14 MNPT	2-Pin/Leads
SFDPA1-050-060-51 NEW	115V	Switch	5.0/18.9	60/4.2	2.56	EPDM	Santoprene	½"-14 MNPT	Leads/Plug
SFDPA2-050-060-51 NEW	220V	Switch	5.0/18.9	60/4.2	1.28	EPDM	Santoprene	½"-14 MNPT	Leads/Plug

## 55 Series Water Pump With Bypass



Model	Voltage	Control Type	GPM/LPM	PSI/BAR	Max Draw(A)	Valves	Diaphragm	Ports	Wire Connections
SFDP1-040-060-55	12V	Switch & By Pass	4.0/15.0	60/4.2	14.0	EPDM	Santoprene	½"-14 MNPT	2-Pin/Leads
SFDP2-040-060-55	24V	Switch & By Pass	4.0/15.0	60/4.2	7.0	EPDM	Santoprene	½"-14 MNPT	2-Pin/Leads
SFDP1-050-060-55	12V	Switch & By Pass	5.0/18.9	60/4.2	17.0	EPDM	Santoprene	½"-14 MNPT	2-Pin/Leads
SFDP2-050-060-55	24V	Switch & By Pass	5.0/18.9	60/4.2	8.0	EPDM	Santoprene	½"-14 MNPT	2-Pin/Leads
SFDPA1-050-060-55	115V	Switch & By Pass	5.0/18.9	60/4.2	2.56	EPDM	Santoprene	½"-14 MNPT	Leads/Plug
SFDPA2-050-060-55	220V	Switch & By Pass	5.0/18.9	60/4.2	1.28	EPDM	Santoprene	½"-14 MNPT	Leads/Plug



## 56C Series Variable Speed Smart Pump **PRO**

### FEATURES & BENEFITS

- Variable speed technology
- Motor speed adjusts to water needs
- Capable of sustained low voltage operation
- Waterproof grade IPX5
- Run dry safe, long service life
- Strong suction, suction lift up to 1.8m
- CE, UKCA, RoHS, REACH, PAHs
- Quiet operation, bypass technology reduces cycling
- 5-chamber diaphragm pump operates more stably and smoothly

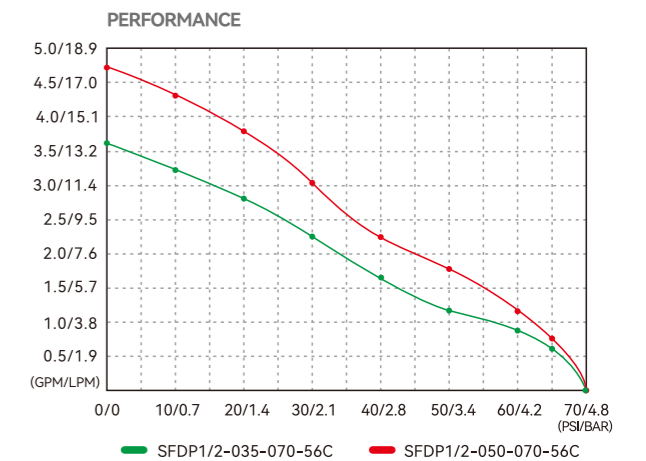
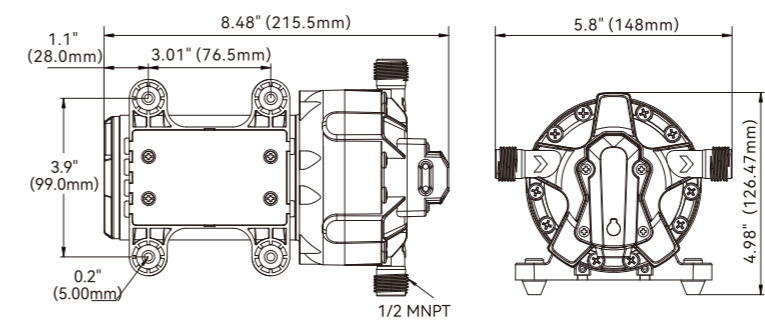
### PUMP

- Max Recommended Temperature**  
140 °F (60 °C) Max.
- Priming Capabilities**  
6 feet (1.8 m) suction lift
- Inlet/Outlet Ports**  
½" MNPT
- Weight**  
6.57 lbs (2.98 kg)



The built-in Variable Speed technology circuit board  
Motor speed adjusts to water needs

### Standard Accessories



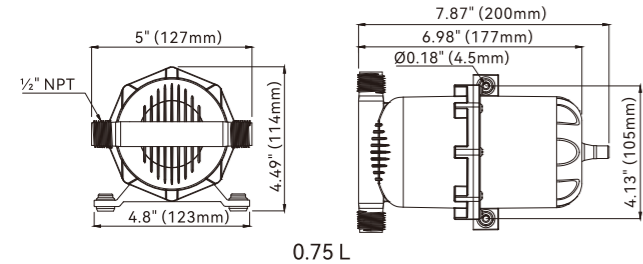
Model	Voltage	Control Type	GPM/LPM	PSI/BAR	Max Draw(A)	Valves	Diaphragm	Ports	Wire Connections
SFDP1-035-070-56C	12V	Variable Speed	3.5/13.2	70/4.8	7.5	EPDM	Santoprene	½" MNPT	2-Pin/Leads
SFDP2-035-070-56C	24V	Variable Speed	3.5/13.2	70/4.8	4.0	EPDM	Santoprene	½" MNPT	2-Pin/Leads
SFDP1-050-070-56C	12V	Variable Speed	5.0/18.9	70/4.8	10.0	EPDM	Santoprene	½" MNPT	2-Pin/Leads
SFDP2-050-070-56C	24V	Variable Speed	5.0/18.9	70/4.8	5.5	EPDM	Santoprene	½" MNPT	2-Pin/Leads

## Pressurized Accumulator Tank 0.75 L/1 L

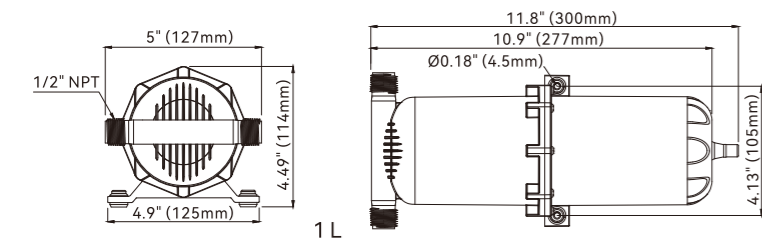
Accumulator tanks hold a reservoir of air and water down stream from the pump. The air acts as a cushion, absorbing pump and pressure fluctuations, smoothing the flow and making the system quieter. Accumulators allow the pump to reach shut-off pressure more smoothly which reduces the on/off cycle which gives better control of hot water delivery.

### FEATURES & BENEFITS

- Smoother flow, quieter water systems.
- Internal rubber membrane eliminates maintenance and allows universal mounting.
- Better control of hot water temperatures.
- Simply fitted to new or existing systems.
- Longer pump life, lower battery drain.
- Snap-in port fittings.



0.75 L



1 L

#### Standard Accessories:



51F001 x 2

#### Optional Accessories:



51F002

51F003

51F004

51F005

#### Product Specifications

Model	Internal Volume	Pre-charge Pressure	Max Operating Pressure	Air Fill Valve	Inlet/Outlet Dia	Weight	Dimensions
SFAT-075-125-01	0.75 L 25 FL OZ	10 PSI 0.7 BAR	125 PSI 8.6 BAR	standard automotive style tire valve	1/2" MNPT	360 g	8.1" x 4.6" 205mm x 116mm
SFAT-100-125-01	1.0 L 33.8 FLOZ	10 PSI 0.7 BAR	125 PSI 8.6 BAR	standard automotive style tire valve	1/2" MNPT	660 g	12" x 4.6" 300mm x 114mm

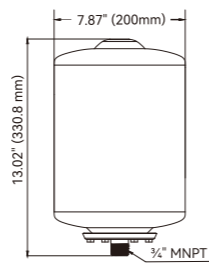
## 8L Water Accumulator Tank

### FEATURES & BENEFITS

- Making flow more smoother
- Prolong pump's service life
- protective coating for corrosion resistance
- 3/4" MNPT thread for convenient installation in the water system



Kraft Box



#### Standard Pump Configurations

Model	Tank Volume	Max. Pressure	Inlet/outlet size	Net Weight
SFAT-087-021-01	8L	87 PSI (6 Bar)	3/4" MNPT	2 KG

## Water Pressure System

### 3.0 GPM/11.3 LPM Pump with Integrated Accumulator Tank

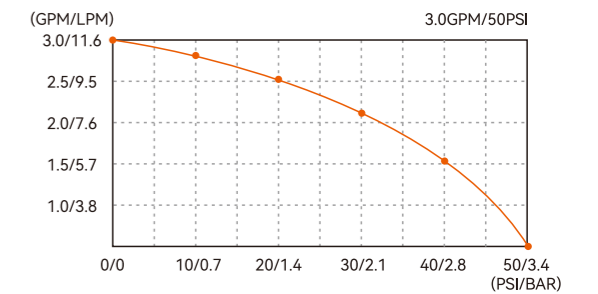
#### FEATURES & BENEFITS

- Powerful 3.0 gallons/ 11.3 litres per minute of flow
- Ultra quiet with constant and steady flow
- Superior self-priming capabilities
- Powerful enough to supply up to 3 fixtures
- Built-in adjustable pressure switch
- Easy pre-assembled installation
- Heavy-duty, corrosion resistant motor
- Capable of being run dry without damage
- Can be fitted to new or existing systems

#### PUMP

- Max Recommended Temperature**  
140°F(60°C) Max.
- Priming Capabilities**  
6 feet (1.8 m) suction lift
- Inlet/Outlet Ports**  
1/2" MNPT
- Weight**  
7.1 lbs (3.2 kg)/7.2 lbs (3.3 kg)

#### PERFORMANCE



#### Standard Accessories

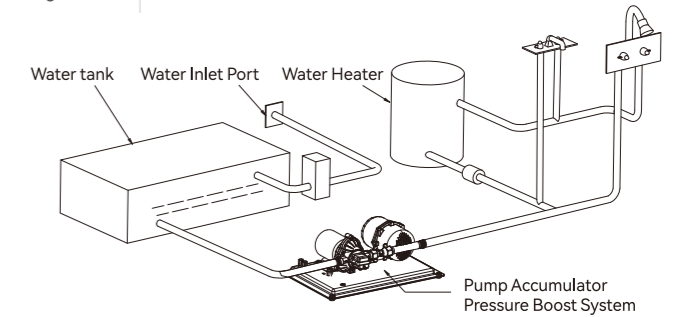


51F010

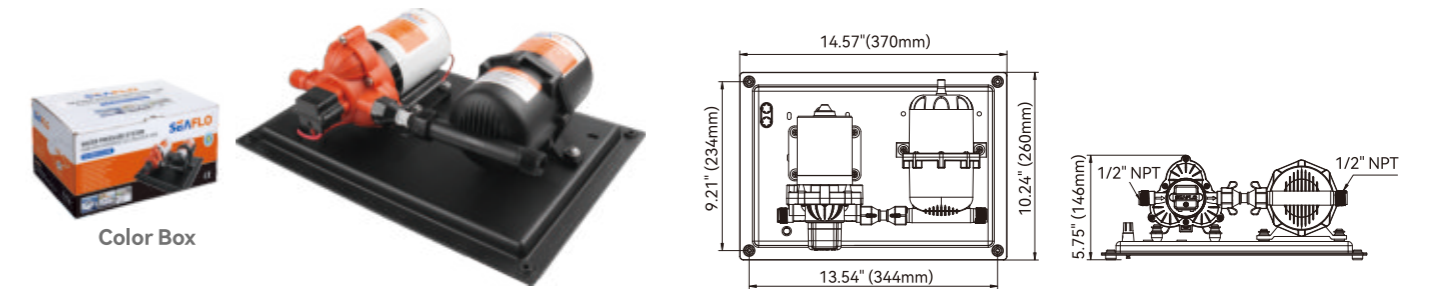
51F003

51F001

51S01



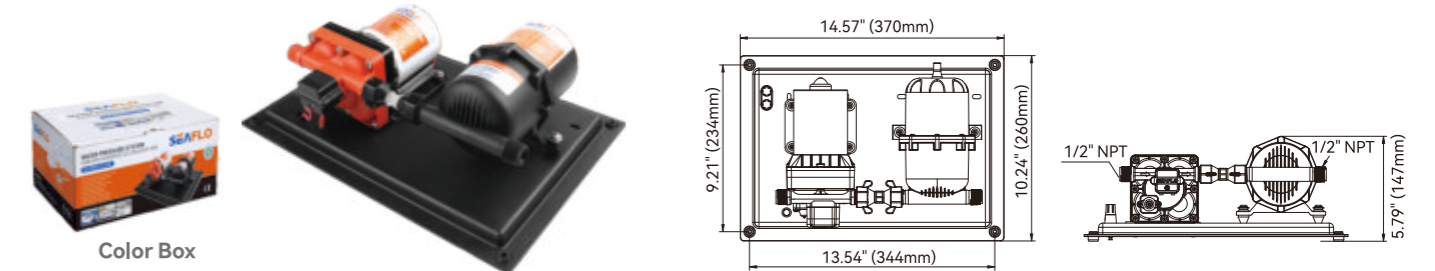
## 33 Series Economic Water Pressure System



Color Box

Model	Tank Volume	Voltage	Control Type	GPM/LPM	Pressure On (PSI/BAR)	Pressure Off (PSI/BAR)	Max Draw(A)	Ports	Wire Connections
SFWSK1-030-045-002	0.75 L	12 V	Switch	3.0 / 11.3	35 / 2.4	45 / 3.1	11.0	1/2" MNPT	2-Pin/Leads
SFWSK2-030-045-002	0.75 L	24 V	Switch	3.0 / 11.3	35 / 2.4	45 / 3.1	5.5	1/2" MNPT	2-Pin/Leads

## 42 Series Quiet Water Pressure System



Color Box

Model	Tank Volume	Voltage	Control Type	GPM/LPM	Pressure On (PSI/BAR)	Pressure Off (PSI/BAR)	Max Draw(A)	Ports	Wire Connections
SFWSK1-030-055-002	0.75 L	12 V	Switch & By Pass	3.0 / 11.3	45 / 3.1	55 / 3.8	7.5	1/2" MNPT	2-Pin/Leads
SFWSK2-030-055-002	0.75 L	24 V	Switch & By Pass	3.0 / 11.3	45 / 3.1	55 / 3.8	4.0	1/2" MNPT	2-Pin/Leads

## 51 Series High Flow Water Pressure System

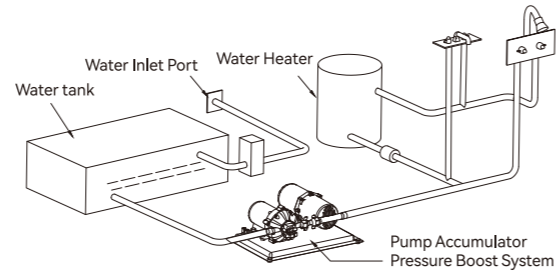
5.5 GPM/20.8LPM Pump with Integrated Accumulator Tank

### FEATURES & BENEFITS

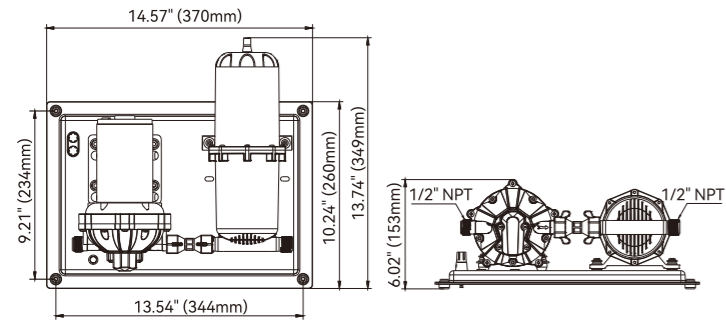
Powerful 5.5 gallons/ 20.8 litres per minute of flow  
Ultra quiet with constant and steady flow  
Superior self-priming capabilities  
Powerful enough to supply up to 5 fixtures  
Built-in adjustable pressure switch  
Easy pre-assembled installation  
Heavy-duty, corrosion resistant motor  
Capable of being run dry without damage  
Can be fitted to new or existing systems

### PUMP

**Max Recommended Temperature**  
140°F(60°C) Max.  
**Priming Capabilities**  
6 feet (1.8 m) suction lift  
**Inlet/Outlet Ports**  
1/2"MNPT  
**Weight**  
9.7 lbs (4.4 kg)



### Standard Accessories



Model	Tank Volume	Voltage	Control Type	GPM/LPM	Pressure On (PSI/BAR)	Pressure Off (PSI/BAR)	Max Draw(A)	Ports	Wire Connections
SFWSK1-055-060-003 NEW	1.0 L	12 V	Switch	5.5 / 20.8	50 / 3.4	60 / 4.2	18.0	1/2"MNPT	2-Pin/Leads
SFWSK2-055-060-003 NEW	1.0 L	24 V	Switch	5.5 / 20.8	50 / 3.4	60 / 4.2	9.0	1/2"MNPT	2-Pin/Leads

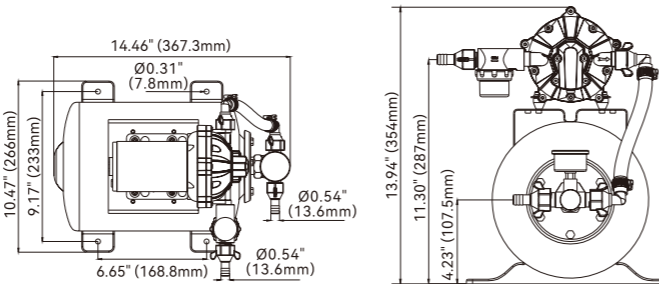
## Luxury Pump Accumulator Pressure Boost System

### FEATURES & BENEFITS

Smoother flow, quieter water systems.  
Longer pump life, lower battery drain.  
Self-priming up to 6 feet (1.8 m).  
Five Chamber diaphragms for smooth and quiet operation.  
Can be installed vertically or horizontally.  
Maintenance free potable water quality accumulator tank.  
Complies with USCG 183.410 and ISO 8846 MARINE (Ignition Protection).  
16 AWG, 4.5" long Leads

### PUMP

**Max Recommended Temperature**  
140°F(60°C) Max.  
**Priming Capabilities**  
6 feet (1.8 m) suction lift  
**Inlet/Outlet Ports**  
1/2" barb  
**Weight**  
11.9 lbs (5.4 kg)



### Standard Accessories



Model	Tank Volume	Voltage	Control Type	GPM/LPM	Pressure On (PSI/BAR)	Pressure Off (PSI/BAR)	Max Draw(A)	Ports	Wire Connections
SFWSK1-030-060-0021 NEW	8 L	12 V	Switch	3.0/11.3	40/2.8	60/4.2	10.0	1/2" barb	2-Pin/Leads
SFWSK2-030-060-0021 NEW	8 L	24 V	Switch	3.0/11.3	40/2.8	60/4.2	5.5	1/2" barb	2-Pin/Leads
SFWSK1-040-060-0021 NEW	8 L	12 V	Switch	4.0/15.0	40/2.8	60/4.2	13.0	1/2" barb	2-Pin/Leads
SFWSK2-040-060-0021 NEW	8 L	24 V	Switch	4.0/15.0	40/2.8	60/4.2	7.0	1/2" barb	2-Pin/Leads
SFWSK1-050-060-0021 NEW	8 L	12 V	Switch	5.0/18.9	40/2.8	60/4.2	17.0	1/2" barb	2-Pin/Leads
SFWSK2-050-060-0021 NEW	8 L	24 V	Switch	5.0/18.9	40/2.8	60/4.2	9.0	1/2" barb	2-Pin/Leads

## 33 / 51 Series Washdown Pump Kit With 20' Coiled Hose

### FEATURES & BENEFITS

Positive displacement pump  
Can run dry  
Quiet operation  
Demand pump  
Easy connect fittings  
Ignition protected  
Industry standard mount pattern

### PUMP

**Liquid temperature**  
140 °F (60 °C) Max.  
**Priming Capabilities**  
6 feet (1.8 m) suction lift  
**Inlet/Outlet Ports**  
1/2" -14MNPT  
**Weight**  
6.74 lbs (3.06 kg) -33 series  
8.2 lbs (3.72 kg) -51 series

### Includes:

- (1) 3.0/5.0 GPM Heavy-Duty Washdown Pump
- (2) Trigger Spray Nozzle w/ Quick Connect
- (3) 20' Coiled Hose (UV Protected, 1/2")
- (4) Quick Hose Disconnect Fitting
- (5) 50 Mesh Inlet Strainer
- (6) 1/2" Barbed Fittings



Blister



Color Box



33 Series

Model	Voltage	Switch	GPM/LPM	PSI/BAR	Max Draw(A)	Valves	Diaphragm	Ports	Wire Connections
SFWP1-030-070-33	12 V	Demand	3.0/11.3	70/4.8	11	EPDM	Santoprene	1/2" -14 MPNT	2-Pin/Leads
SFWP2-030-070-33	24 V	Demand	3.0/11.3	70/4.8	5	EPDM	Santoprene	1/2" -14 MPNT	2-Pin/Leads



Blister



Color Box



51 Series

Model	Voltage	Switch	GPM/LPM	PSI/BAR	Max Draw(A)	Valves	Diaphragm	Ports	Wire Connections
SFWP1-050-070-51 NEW	12 V	Demand	5.0/18.9	70/4.8	17	EPDM	Santoprene	1/2"-14 MPNT	2-Pin/Leads
SFWP2-050-070-51 NEW	24 V	Demand	5.0/18.9	70/4.8	10	EPDM	Santoprene	1/2"-14 MPNT	2-Pin/Leads
SFWP1-055-070-51 NEW	12 V	Demand	5.5/20.0	70/4.8	17	EPDM	Santoprene	1/2"-14 MPNT	2-Pin/Leads
SFWP2-055-070-51 NEW	24 V	Demand	5.5/20.0	70/4.8	10	EPDM	Santoprene	1/2"-14 MPNT	2-Pin/Leads

## 42 Series Washdown Pump Kit

### FEATURES & BENEFITS

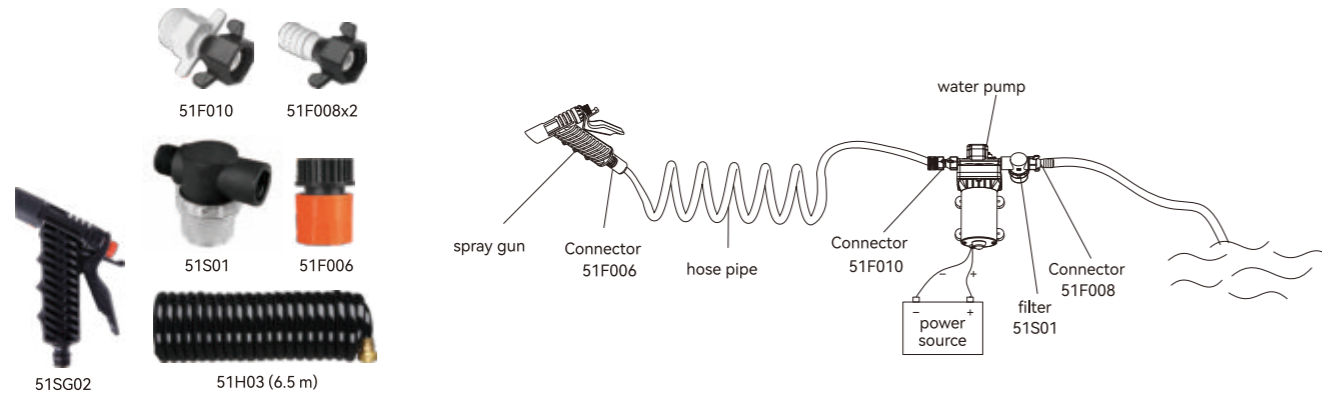
Self-priming up to 1.83 m/6 feet  
Spray gun range 10 m/32.81 feet  
Dry run capability  
Intermittent duty  
UV-protected hose-pipe, 6.5 m/20 feet  
Anticorrosive stoving varnish coated motor  
The best choice for cleaning boats, fish boxes, anchor wells, dinghies, and other similar applications

### PUMP

**Liquid temperature**  
140 °F (60 °C) Max.  
**Priming Capabilities**  
6 feet (1.8 m) suction lift  
**Max Pressure**  
55PSI (3.8 BAR)  
**Weight**  
7.02 lbs (3.2 kg)

### Includes:

- (1) 4.0 GPM Heavy-Duty Washdown Pump
- (2) Trigger Spray Nozzle w/ Quick Connect
- (3) 20' Coiled Hose (UV Protected, 1/2") (A model only)
- (4) Quick Hose Disconnect Fitting
- (5) 50 Mesh Inlet Strainer
- (6) 1/2" Barbed Fittings



### Standard Pump Configurations

Model	Voltage	Open Flow (GPM/LPM)	Control Type	Max Draw(A)	Shut-off Pressure (PSI/BAR)	Coiled Hose	Ports	Wire Connections
SFWP1-040-055-42B	12 V	4.0 / 15.1	Demand & By pass	14.0	55 / 3.8	No	1/2"-14MNPT	2-Pin/Leads
SFWP2-040-055-42B	24 V	4.0 / 15.1	Demand & By pass	7.0	55 / 3.8	No	1/2"-14MNPT	2-Pin/Leads



### Standard Pump Configurations

Model	Voltage	Open Flow (GPM/LPM)	Control Type	Max Draw(A)	Shut-off Pressure (PSI/BAR)	Coiled Hose	Ports	Wire Connections
SFWP1-040-055-42A	12 V	4.0 / 15.1	Demand & By pass	14.0	55 / 3.8	Yes	1/2"-14MNPT	2-Pin/Leads
SFWP2-040-055-42A	24 V	4.0 / 15.1	Demand & By pass	7.0	55 / 3.8	Yes	1/2"-14MNPT	2-Pin/Leads

## 51 Series Washdown Pump Kit

### FEATURES & BENEFITS

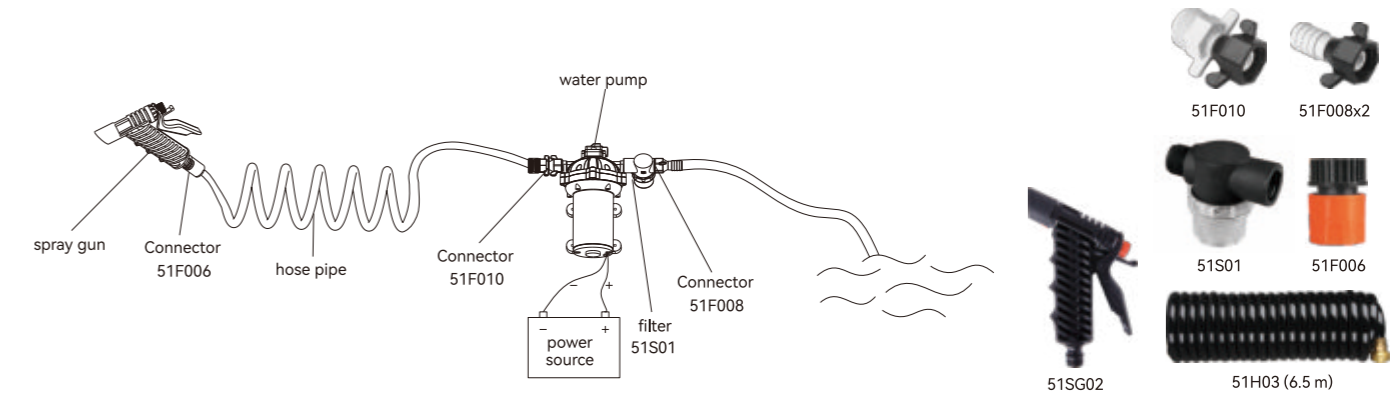
Self-priming up to 1.83 m/6 feet  
Spray gun range 10 m/32.81 feet  
Dry run capability  
Intermittent duty  
UV-protected hose-pipe, 6.5 m/20 feet  
Anticorrosive stoving varnish coated motor  
The best choice for cleaning boats, fish boxes, anchor wells, dinghies, and other similar applications

### PUMP

**Liquid temperature**  
140 °F (60 °C) Max.  
**Priming Capabilities**  
6 feet (1.8 m) suction lift  
**Max Pressure**  
70PSI (4.8 BAR)  
**Weight**  
7.67 lbs (3.5 kg)

### Includes:

- (1) 3/5 GPM Heavy-Duty Washdown Pump
- (2) Trigger Spray Nozzle w/ Quick Connect
- (3) 20' Coiled Hose (UV Protected, 1/2") (A model only)
- (4) Quick Hose Disconnect Fitting
- (5) 50 Mesh Inlet Strainer
- (6) 1/2" Barbed Fittings



### Standard Pump Configurations

Model	Voltage	Open Flow (GPM/LPM)	Control Type	Max Draw(A)	Shut-off Pressure (PSI/BAR)	Coiled Hose	Ports	Wire Connections
SFWP1-052-070-51B NEW	12 V	5.2 / 19.7	Demand	18.0	70 / 4.8	No	1/2"-14MNPT	2-Pin/Leads
SFWP2-052-070-51B NEW	24 V	5.2 / 19.7	Demand	9.5	70 / 4.8	No	1/2"-14MNPT	2-Pin/Leads



### Standard Pump Configurations

Model	Voltage	Open Flow (GPM/LPM)	Control Type	Max Draw(A)	Shut-off Pressure (PSI/BAR)	Coiled Hose	Ports	Wire Connections
SFWP1-052-070-51A NEW	12 V	5.2 / 19.7	Demand	18.0	70 / 4.8	Yes	1/2"-14MNPT	2-Pin/Leads
SFWP2-052-070-51A NEW	24 V	5.2 / 19.7	Demand	9.5	70 / 4.8	Yes	1/2"-14MNPT	2-Pin/Leads

## 20' Coil Hose Washdown Kit

### FEATURES & BENEFITS

- Consists of UV-protected 20' (6.5 m) Coiled 1/3" I.D. Hose, spray nozzle with adjustable tip and contoured grip and bronze fittings.
- Coil hose eliminates any kinds that may arise from normal water hose.
- Designed to facilitate easy, neat, safe storage.
- Great for large cockpits, dockside installation and even home cleaning use.



Model		SFHW2-060-01		
Spray Gun	Connector: 5/8"QA	Pressure: 0-8 Bar		
Contoured Grip	Connector: 5/8"QA *5/8"QA	Diameter: ID 1/3"	Length: 20'	
Adaptor	Connector: 3/4"FNPT / 1/2"FNPT / 1"FNPT * 5/8" QA			

## 41 Series Portable Washdown Pump Kit

### FEATURES & BENEFITS

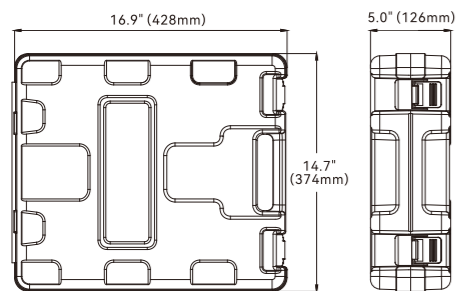
- 6.5M UV-protected Coiled Hose Coil
- 2M Inlet Hose
- Easy to use, store, and carry on
- Adjustable sprayer
- Built-in by pass valve
- Smooth flowing
- Quiet Operation
- 16 AWG, 4.5" (11.4 cm) long Leads

### PUMP

- Liquid temperature: 140 °F (60 °C) Max.
- Priming Capabilities: 6 feet (1.8 m) suction lift
- Max Pressure: 70 PSI (4.8 BAR)
- Weight: 11 lbs (5 kg)



### Standard Accessories



### Standard Pump Configurations

Model	Voltage	Open Flow (GPM/LPM)	Control Type	Max Draw(A)	Shut-off Pressure (PSI/BAR)	Valves	Diaphragm	Ports	Wire Connections
SFWP1-045-070-41	12V	4.5 / 17.0	Demand & By pass	17.0	70 / 4.8	EPDM	Santoprene	Quick attach	2-Pin/Leads



## 56 Series Portable Cleaning Kit

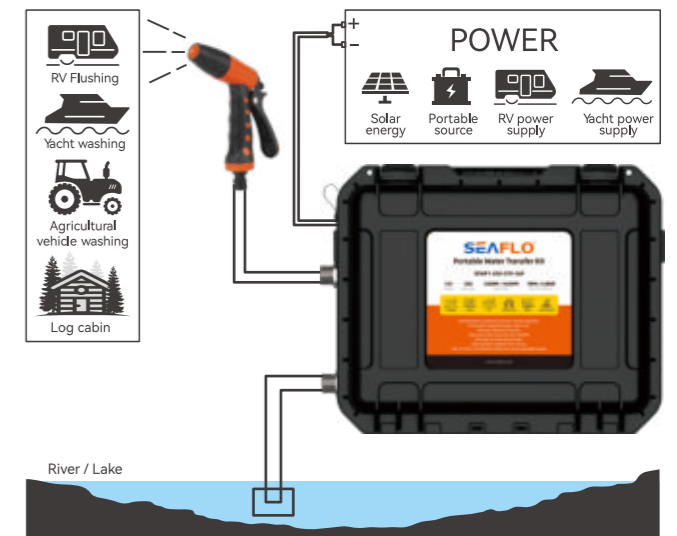
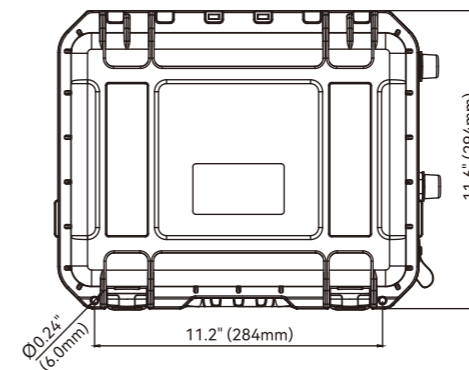
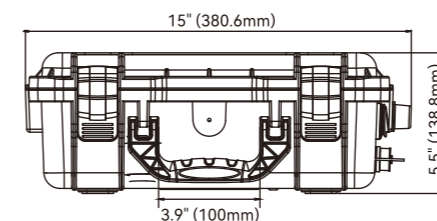
### FEATURES & BENEFITS

- 1/2" NPTF connector can be directly connected to the pipe or used with a quick coupling
- Pump station integrated design, easy to use
- Advanced IPX6 rating waterproof outer box
- High-power water pump, flow up to 5.0GPM
- Automatic shut-off pressure switch
- Quiet operation, Capable of dry running
- With 17' (5.2m) UV-protected coiled hose coil and adjustable sprayer

### PUMP

- Liquid temperature: 140 °F (60 °C) Max.
- Priming Capabilities: 5 feet (1.5 m) suction lift
- Max Pressure: 70 PSI (4.8 BAR)
- Weight: 11.2 lbs (5.1 kg)

### Standard Accessories



### Standard Pump Configurations

Model	Voltage	Open Flow (GPM/LPM)	Control Type	Max Draw(A)	Shut-off Pressure (PSI/BAR)	Valves	Diaphragm	Ports	Wire Connections
SFWP1-050-070-56P	12V	5.0 / 18.9	Demand & By pass	20.0	70 / 4.8	EPDM	Santoprene	1/2" NPTF	Waterproof connector

## Washdown Quick Connect Kit

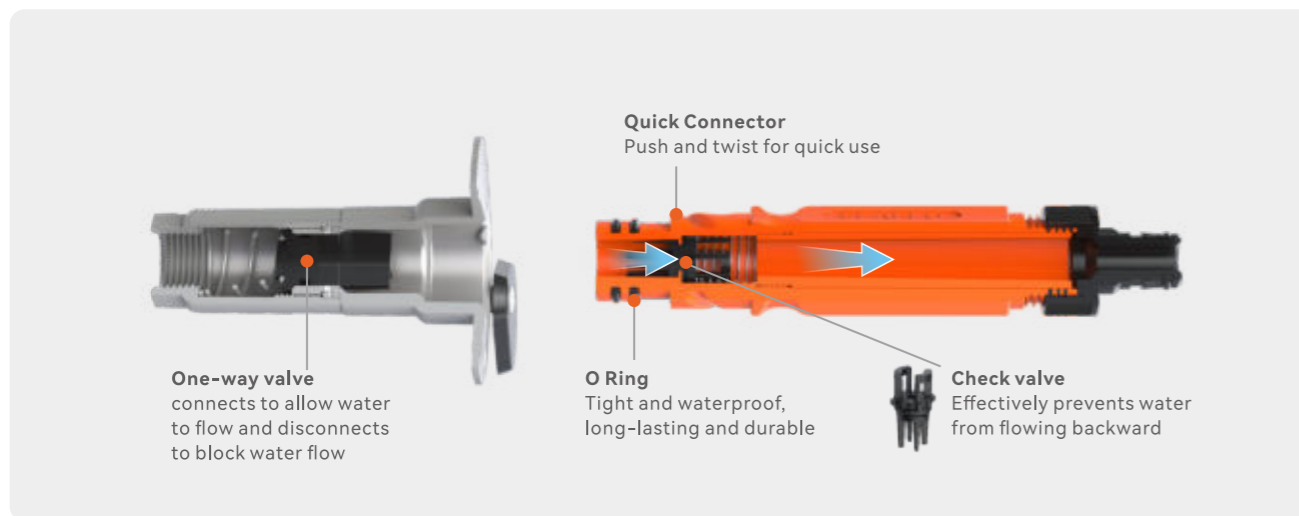
This Washdown Quick Connect Kit for boats, yachts, and RVs allows for instant water connection in seconds. Its recessed deck connector is made of SUS316 stainless steel and comes with a protective cap. The bayonet connector connects to your outlet hose and quickly and easily locks into the deck connector when needed.

### FEATURES & BENEFITS

- Leak-free quick connect that connects and disconnects under full pressure
- Use with a nipple for instant connection to the spray gun, making it easy to use
- Hose connection: Deck connector - 1/2" NPT
- Bayonet connector - (3/4" GHT)

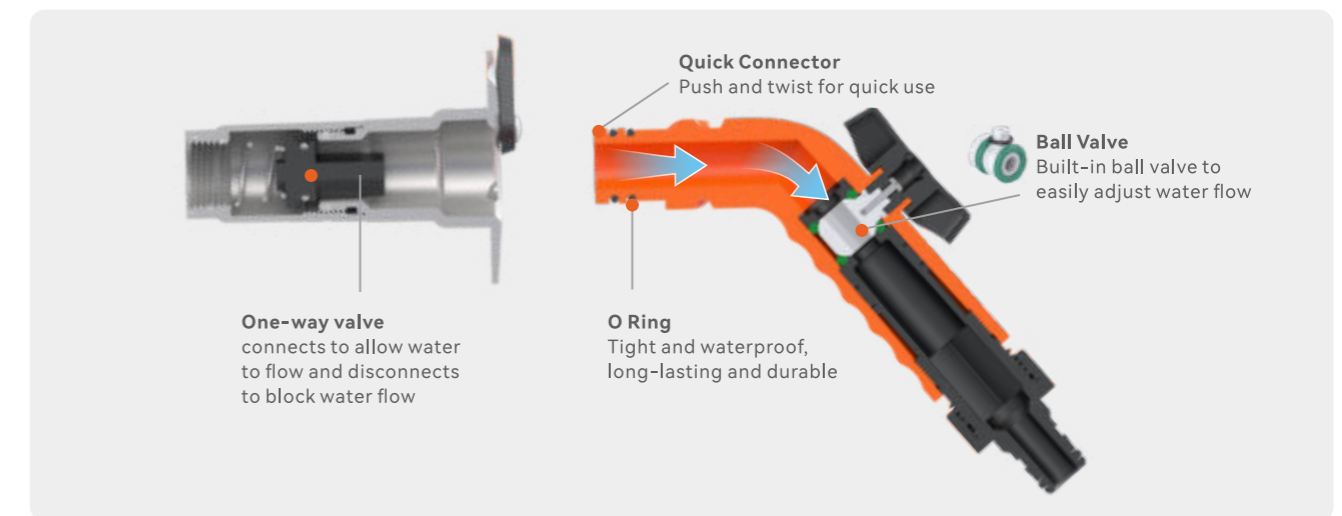
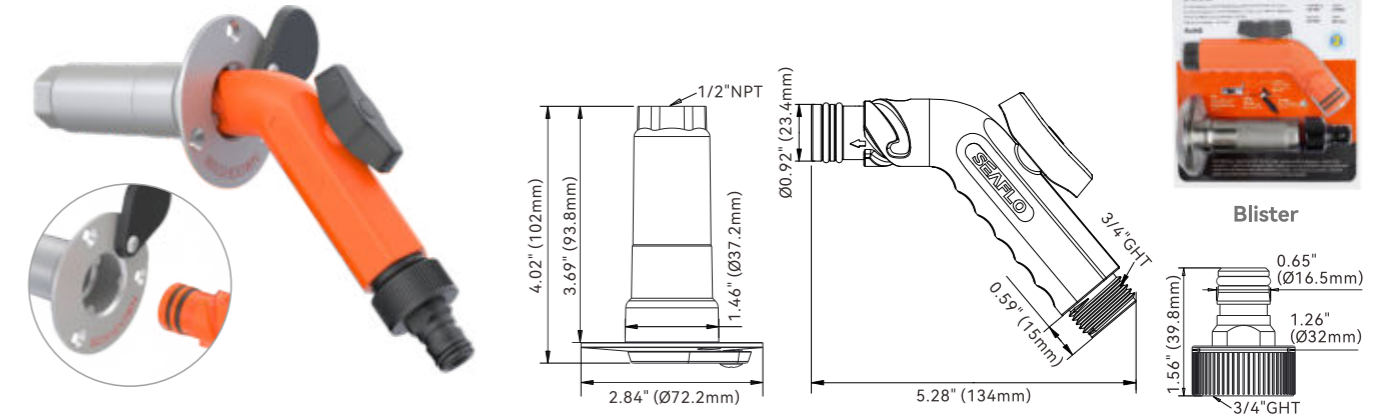


## 01 Series



Model	Deck connector	Bayonet connector	Nipple	Valve
SFWCK-01	1/2" NPT	3/4" GHT	3/4" GHT	Check valve

## 02 Series



Model	Deck connector	Bayonet connector	Nipple	Valve
SFWCK-02	1/2" NPT	3/4" GHT	3/4" GHT	Ball valve

## Accessories sold separately



### Straight Hose connection

Model	SFWHC-01
Bayonet connector	3/4" GHT
Valve	Check valve
Material	PA6+30%GF

### Angled Hose connection

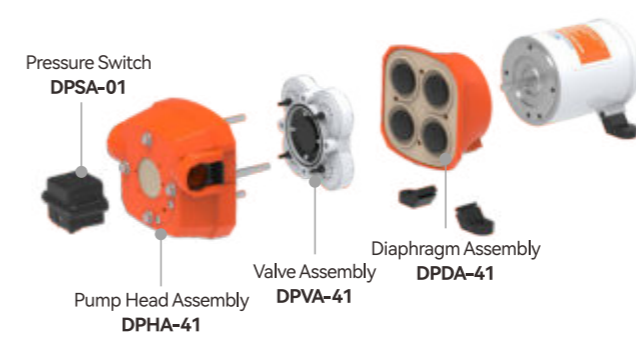
Model	SFWHC-02
Bayonet connector	3/4" GHT
Valve	Ball valve
Material	PA6+30%GF

### S316 Bayonet connector

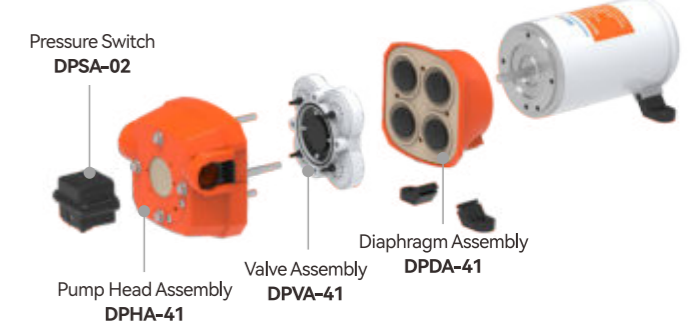
Model	SFWBC-01
Length	4.02" (102.4mm)
Deck connector	1/2" NPT
Material	SUS316



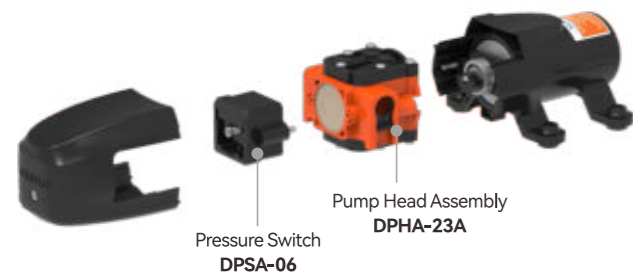
**41 Series Water Pump (short motor)**



**41 Series Water Pump (long motor)**



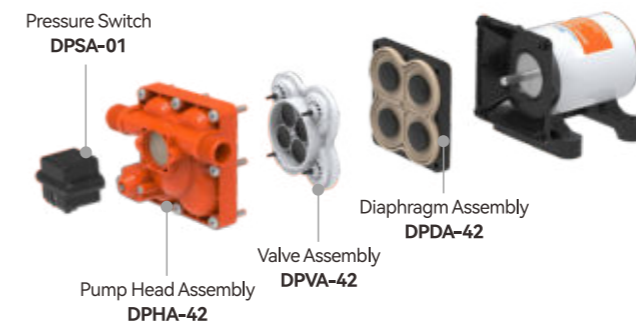
**23A Series Water Pump**



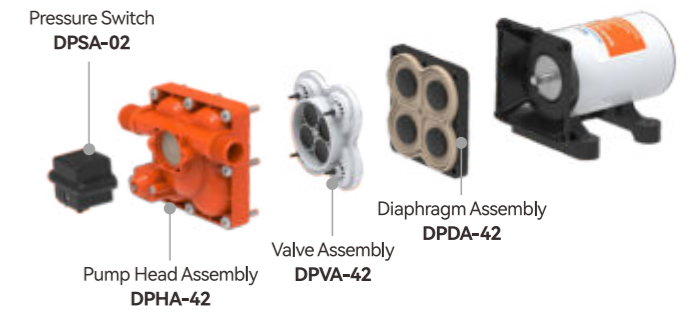
**21 Series Water Pump**



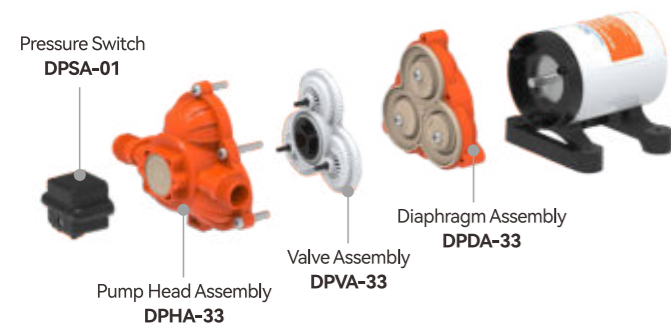
**42 Series Water Pump (short motor)**



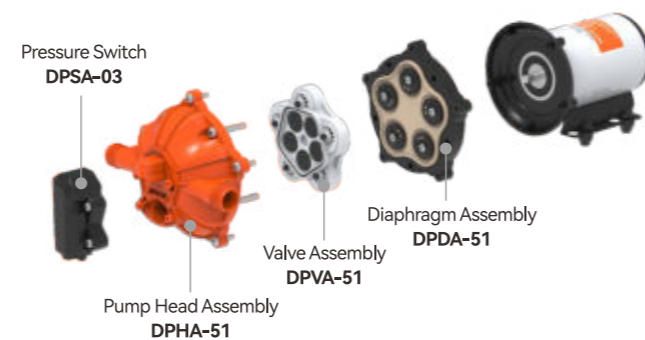
**42 Series Water Pump (long motor)**



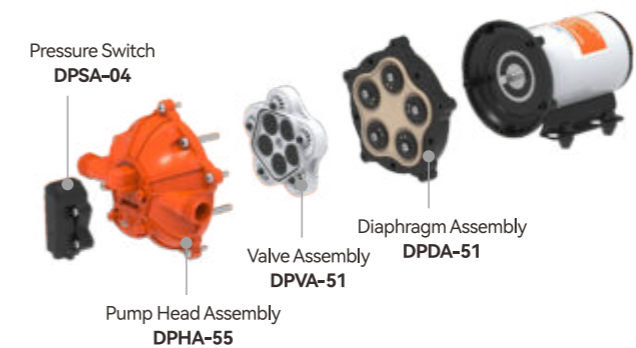
**33 Series Water Pump**



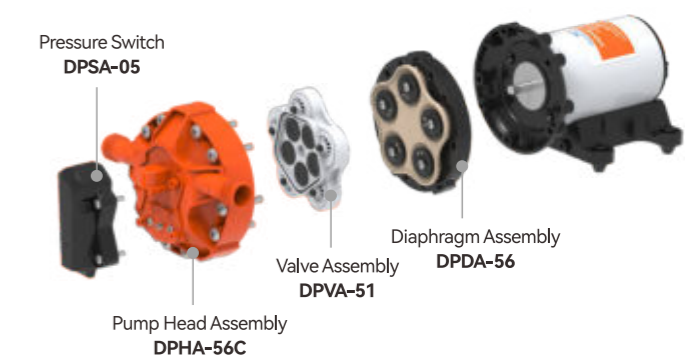
**51 New Series Water Pump**



**55 Series Water Pump With Bypass**



**56C Series Variable Speed Smart Pump**



## Fresh Water Pump Fittings



**21F001**  
Size: 15/32" x 3/8" Barb  
Fitting Type: HB Elbow Fitting w/ O-Ring  
Material: PA



**23F004**  
Size: 5/8" QA x 3/8" Barb  
Fitting Type: HB Straight Fitting w/ O-Ring  
Material: PA



**41F005**  
Size: 3/4" QA x 1/2"  
Fitting Type: TUBE Straight w/ O-Ring  
Material: Black Nylon



**51F001**  
Size: 1/2" -14 FNPT x 1/2" Barb  
Fitting Type: HSE Barb Straight Fitting  
Material: POM & PP



**21F002**  
Size: 15/32" x 1/2" Barb  
Fitting Type: HB Elbow Fitting w/ O-Ring  
Material: PA



**23F005**  
Size: 5/8" QA x 1/2" MNPT  
Fitting Type: MNPT Straight w/ O-Ring  
Material: Black Nylon



**41F006**  
Size: 3/4" QA x 3/4" Barb  
Fitting Type: HS Straight Fitting w/ O-Ring  
Material: Black Nylon



**51F002**  
Size: 1/2" -14 FNPT x 3/8" Barb  
Fitting Type: HSE Barb Straight Fitting  
Material: POM & PP



**21F003**  
Size: 1/4" x 1/4" QA  
Fitting Type: TUBE Elbow Fitting w/ O-Ring  
Material: POM



**23F006**  
Size: 5/8" QA x 1/2" MNPT  
Fitting Type: MNPT Elbow w/ O-Ring  
Material: Black Nylon



**41F007**  
Size: 3/4" QA x 3/4" Barb  
Fitting Type: Elbow Fitting w/ O-Ring  
Material: Black Nylon



**51F003**  
Size: 1/2" -14 FNPT x 1/2" Barb  
Fitting Type: HSE Barb Elbow Fitting  
Material: POM & PP



**21F004**  
Size: 15/32" x 3/8" Barb  
Fitting Type: HB Elbow Fitting w/ O-Ring  
Material: PA



**23F007**  
Size: 5/8" QA x 7mm Barb  
Fitting Type: HS Straight Fitting w/ O-Ring  
Material: Black Nylon



**41F009**  
Size: 3/4" QA x 19.8mm Barb  
Fitting Type: HS Elbow Fitting w/ O-Ring  
Material: Black Nylon



**51F004**  
Size: 1/2" -14 FNPT x 1/2" -14 MNPT  
Fitting Type: MNPT Elbow Fitting  
Material: POM & PP



**21F005**  
Size: 15/32" x 1/4" Barb  
Fitting Type: HB Elbow Fitting w/ O-Ring  
Material: PA



**23F008**  
Size: 5/8" QA x 7mm Barb  
Fitting Type: HS Elbow Fitting w/ O-Ring  
Material: Black Nylon



**42F001**  
Size: 1/2" FNPT x G 1/2"  
Fitting Type: NPT Standard to G Standard  
Material: Copper



**51F005**  
Size: 1/2" -14FNPT x 3/8" Barb  
Fitting Type: HSE Barb Elbow Fitting  
Material: POM & PP



**21F006**  
Size: 5/8" QA x 3/8" QA  
Fitting Type: HB Elbow Fitting w/ O-Ring  
Material: PA



**41F001**  
Size: 3/4" QA x 1/2" Barb  
Fitting Type: HS Elbow Fitting w/ O-Ring  
Material: Black Nylon



**43F001**  
Size: 3/4" QA x 12mm Barb  
Fitting Type: HS Elbow Fitting w/ O-Ring  
Material: Black Nylon



**51F008**  
Size: 1/2" -14FNPT x 3/4" Barb  
Fitting Type: HSE Barb Straight Fitting  
Material: POM & PP



**23F001**  
Size: 5/8" QA x 3/8" Barb  
Fitting Type: HB Straight Fitting w/ O-Ring  
Material: PA



**41F002**  
Size: 3/4" QA x 1/2" MNPT  
Fitting Type: MNPT Elbow w/ O-Ring  
Material: Black Nylon



**43F002**  
Size: 3/4" QA x 11mm Barb  
Fitting Type: HS Straight Fitting w/ O-Ring  
Material: Black Nylon



**51F009**  
Size: 1/2" FNPT x 1/2" FNPT  
Fitting Type: HSE Barb Straight Fitting  
Material: POM & PP



**23F002**  
Size: 5/8" QA x 3/8" Barb  
Fitting Type: HB Elbow Fitting w/ O-Ring  
Material: PA



**41F003**  
Size: 3/4" QA x 1/2" Barb  
Fitting Type: HS Straight Fitting w/ O-Ring  
Material: Black Nylon



**43F003**  
Size: 3/4" QA x 11mm Barb  
Fitting Type: HS Elbow Fitting w/ O-Ring  
Material: Black Nylon



**51F010**  
Size: 1/2" FNPT x 3/4" MNPT  
Fitting Type: HSE Barb Straight Fitting  
Material: POM & PP



**23F003**  
Size: 5/8" QA x 1/4" Barb  
Fitting Type: HB Straight Fitting w/ O-Ring  
Material: PA



**41F004**  
Size: 3/4" QA x 1/2" MNPT  
Fitting Type: MNPT Straight w/ O-Ring  
Material: Black Nylon

## Bilge Pump Fittings



**13F001**  
Size: 3/4" (19mm) , 1-1/8" (29mm)  
standard fitting for 13A/B/C/D/E600-800GPH  
&14A/B/C, 800-1100GPH bilge pump



**13F002**  
Size: 1" (25mm) , 1-1/8" (29mm)  
standard fitting for 13A/B/C/D/E1100GPH  
& 14A/B/C, 800-1100GPH bilge pump



**13F003**  
Size: 1-1/8" (29mm)  
fitting suitable for 13A/B, 600-1100GPH, 1500-2000GPH  
&13C/D/E, 800-1100GPH  
&14A/B/C, 800-1100GPH bilge pump



**13F004**  
Size: 1-1/8" (29mm)  
standard fitting for 13A/B series bilge pump  
1500-2000GPH



**13F005**  
Size: 1.5" (40mm)  
fitting with check-valve for 13A series  
3000-4700GPH bilge pump



**13F006**  
Size: 2" (52mm)  
fitting with check-valve for 13A series  
3000-4700GPH bilge pump



**13F007**  
Size: 1.5" (40mm)  
fitting with check-valve for 13A series  
3000-4700GPH bilge pump



**13F008**  
Size: 3/4" (19mm)  
standard fitting for 13A/B/C/D/E1100GPH  
& 14A/B/C, 800-1100GPH bilge pump



**18F001**  
Size: 1-3/8" (34mm)  
fitting with check-valve for handy submersible  
pump 18 series 1500-2000GPH bilge pump



**18F002**  
Size: 1-3/16" (30mm) 1-3/8" (34mm)  
fitting with check-valve for handy submersible  
pump 18 series 1500-2000GPH bilge pump



**03F001**  
Size: 3/4" (19mm)  
standard fitting for 02/03/04/05/08 series  
bilge pump



**03F002**  
Size: 3/4" (19mm)  
standard fitting for 02/03/04/05/08 series  
bilge pump



**13CV01**  
Size: 1-1/8" (29mm)  
check-valve suitable for 13 &14 series  
bilge pumps



**13CV02**  
Size: 1.5" (40mm)  
check-valve for 13A series  
3000-4700GPH bilge pump



**13CV03**  
Size: 2" (52mm)  
check-valve for 13A series  
3000-4700GPH bilge pump



**13CV04**  
Size: 1.5" (38mm)  
check-valve for handy submersible pump 18 series  
1500-2000GPH bilge pump

## Pressure Switches



	01 Series	02 Series	51 New/55/56A Series
Pressure Range	17-100 PSI	17-60 PSI	60 PSI
Max Amp.	15 A	25 A	20 A
Suitable For	21/22 Series	33/41/42/43 Series	51 New/55/56A/56C

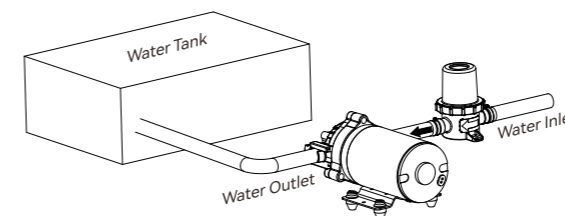
## Fresh Water Pump Strainers



	51S01	52S01	52S02
Size:	1/2"-14 MNPT	3/4" Male Quick Attach	3/4" Male Quick Attach
Fitting Type:	1/2"-14 FNPT Inline Filter / Strainer	1/2" Hose Barb	1/2"-14 FNPT Inline Filter / Strainer
Mesh Size:	50	50	50

## 03 Series In-Line Strainers

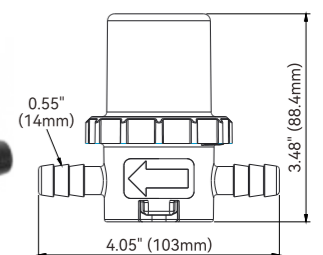
- Stainless steel filter collects the crud and prevents pump from blockage
- 20/50 mesh screen available for different needs
- Easy cleaning of the twist-off bowl and removable filter
- Properly place the seal in the groove to ensure no leaks
- Flow mark helps to recognize the flow direction effortlessly
- Bard connector design allows easy installation in any position, just insert the strainer to the intake hose



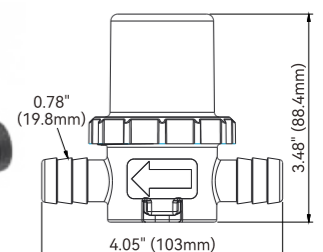
Model	Ports	Filter Specifications
SFWS-500-03P	1/2" Bard	20 Mesh
SFWS-500-03	1/2" Bard	50 Mesh
SFWS-750-03P	3/4" Bard	20 Mesh
SFWS-750-03	3/4" Bard	50 Mesh



1/2" Bard

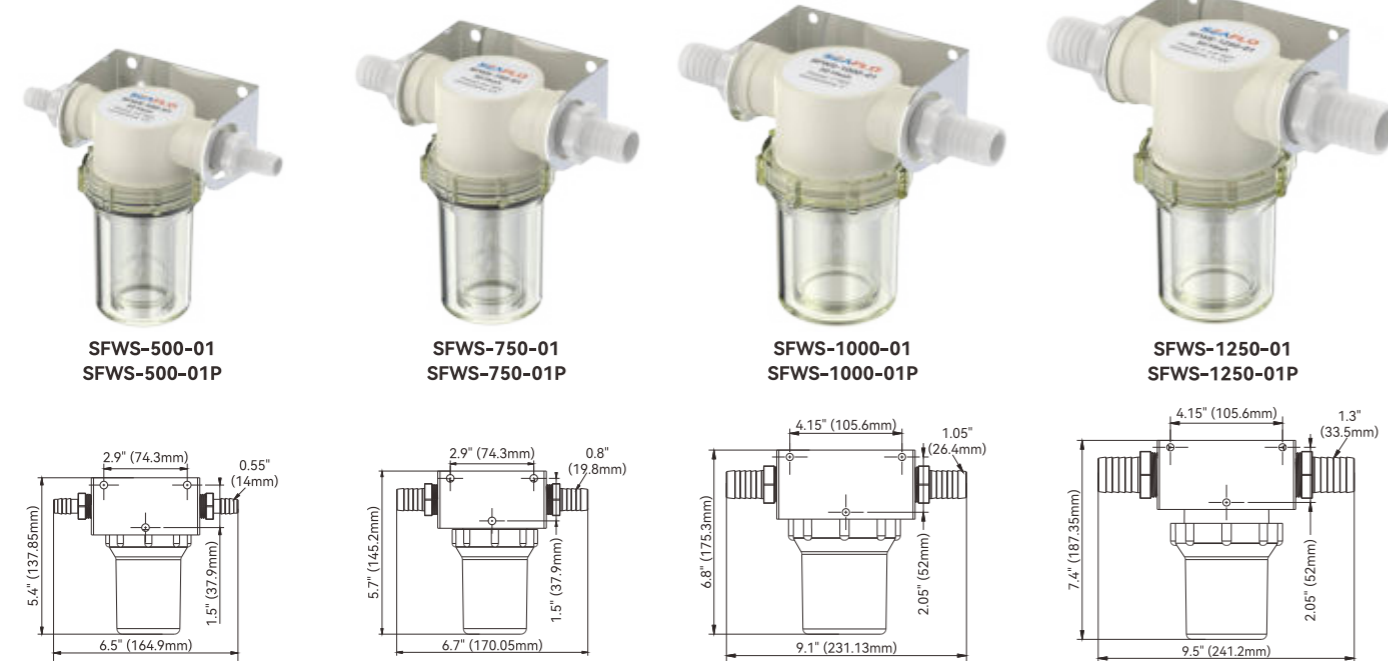


3/4" Bard



## 01 Series Fresh Water Strainers

- Clear bowl for direct inspection
- Easy-to-clean removable filter basket
- 316 SS and plastic baskets available
- Mount bracket is included for flexible installation
- High-quality housing and sealing rings ensure no leaks



### 316SS Basket (50 Mesh)

Model	Thread NPT	Connection
SFWS-500-01	1/2" NPT	1/2"
SFWS-750-01	3/4" NPT	3/4"
SFWS-1000-01	1" NPT	1"
SFWS-1250-01	1 1/4" NPT	1 1/4"

### PA Basket (20 Mesh)

Model	Thread NPT	Connection
SFWS-500-01P	1/2" NPT	1/2"
SFWS-750-01P	3/4" NPT	3/4"
SFWS-1000-01P	1" NPT	1"
SFWS-1250-01P	1 1/4" NPT	1 1/4"

## 02 Series Fresh Water Strainers

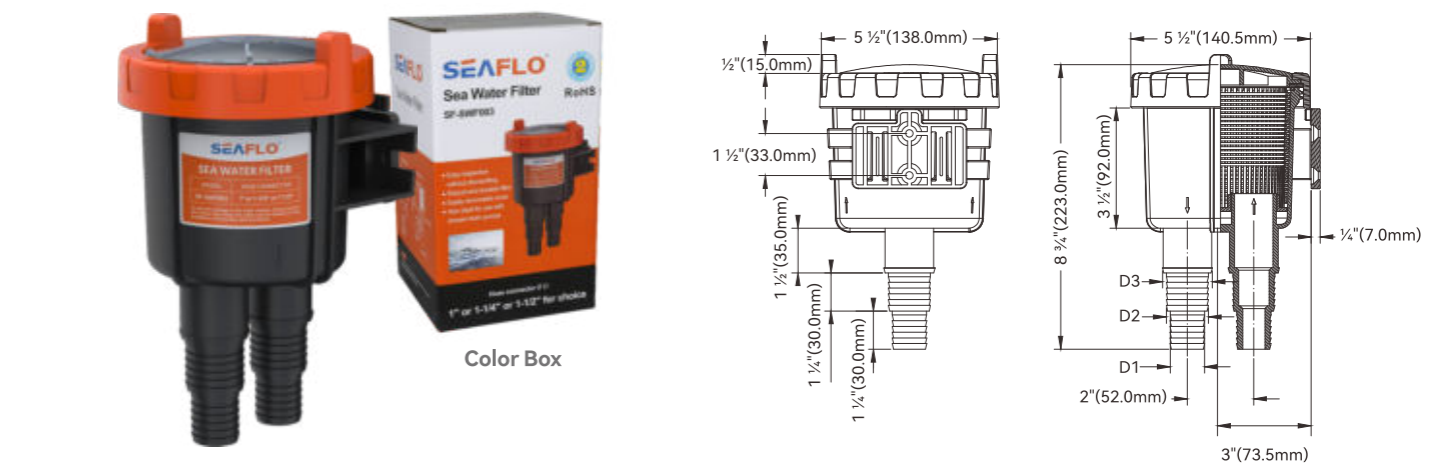
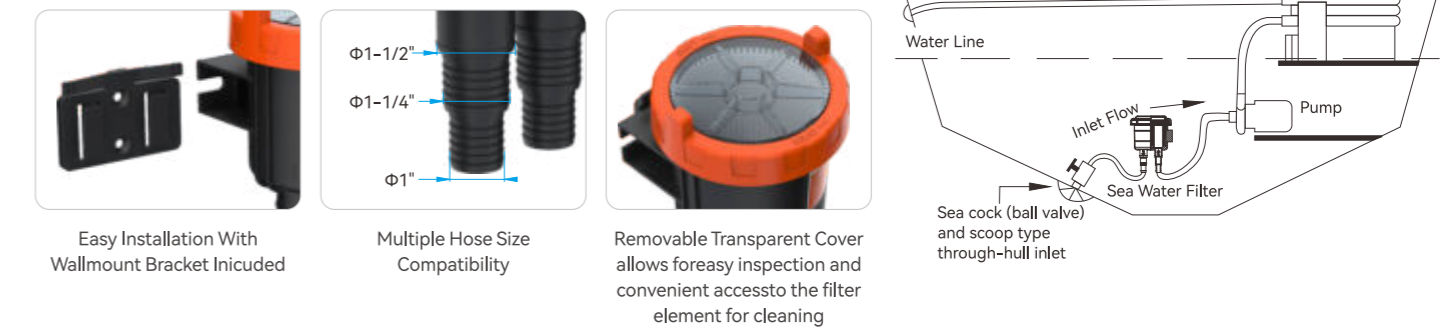
- Corrosion-resistant Nylon housing
- More durable thickened clear PC bowl
- 50-mesh 316 SS filter basket
- Internal Nylon support prevents filter from deformation



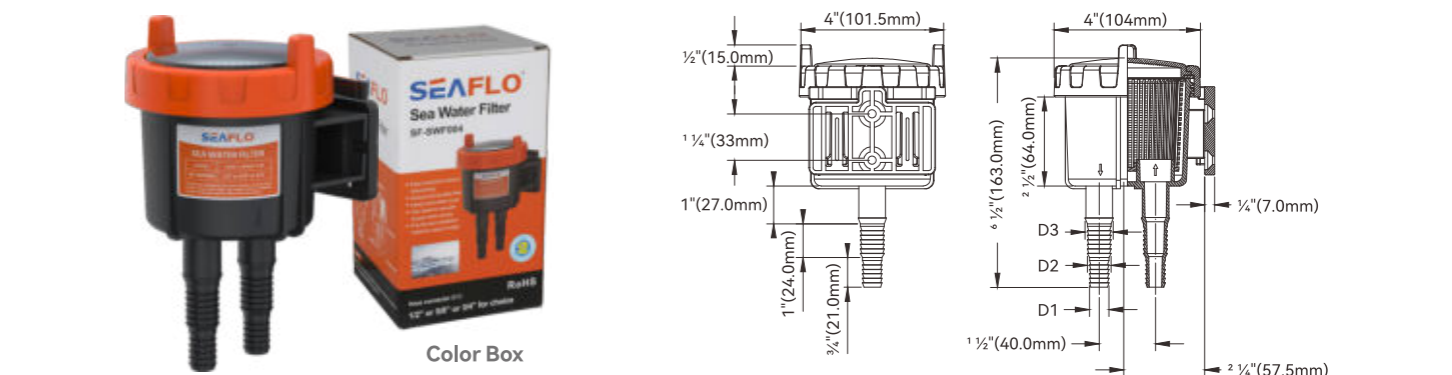
Model	Thread NPT	Connection	Filter Specifications
SFWS-500-02	1/2" NPT	1/2"	50 mesh
SFWS-750-02	3/4" NPT	3/4"	50 mesh

## Raw Water Strainers

Raw water strainers is a filter directly filter water suspended solids, particles and other impurities with a filter net, to reduce dirt, bacteria algae, rust, etc. in a pipe system, in this way to protect the pipe system and equipment and make them work properly.



Model	Output Size	Recommended Hose Size	Recommended Input
SF-SWF003	D1: 1"(25.4 mm)	0.98"(25 mm)	91 L/min. 24 GPM US
	D2: 1-1/4"(31.8 mm)	1.26"(32 mm)	143 L/min. 37.8 GPM US
	D3: 1-1/2"(38.1 mm)	1.5"(38 mm)	200 L/min. 52.9 GPM US



Model	Output Size	Recommended Hose Size	Recommended Input
SF-SWF004	D1: 1/2"(12.7 mm)	0.51"(13 mm)	23 L/min. 6 GPM US
	D2: 5/8"(15.9 mm)	0.63"(16 mm)	35 L/min. 9 GPM US
	D3: 3/4"(19.0 mm)	0.75"(19 mm)	51 L/min. 13 GPM US



Color Box



Standard Accessories



Color Box



## Macerator Pump 01 Series

### FEATURES & BENEFITS

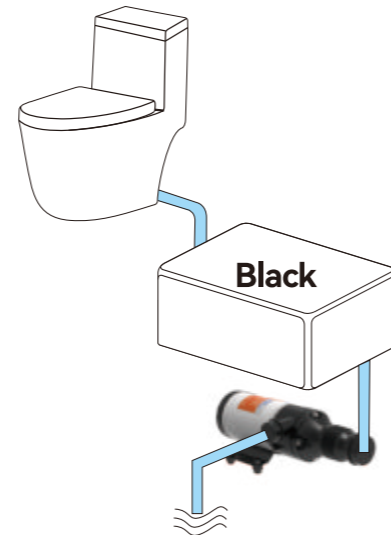
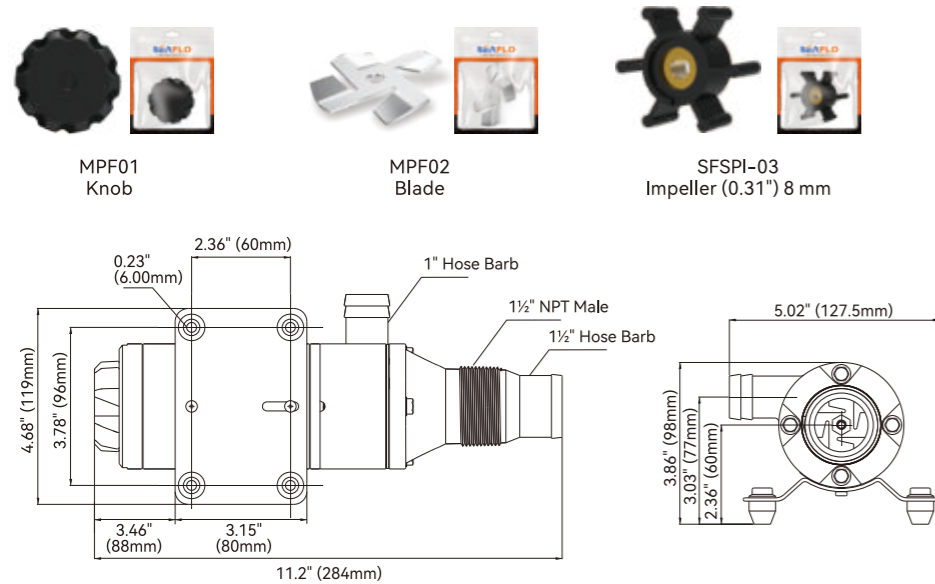
- Completely new design
- Sealed motor
- Easy reach knob in case of clogs
- Run Dry for short periods of time
- New 4-blade design
- Thermally Protected
- Ignition Protected

### PUMP

- Liquid Temperature**  
140 °F (60 °C) Max.
- Power**  
12 amps max current draw
- Weight**  
4.9 lbs (2.24 kg)

### Inlet/Outlet Ports

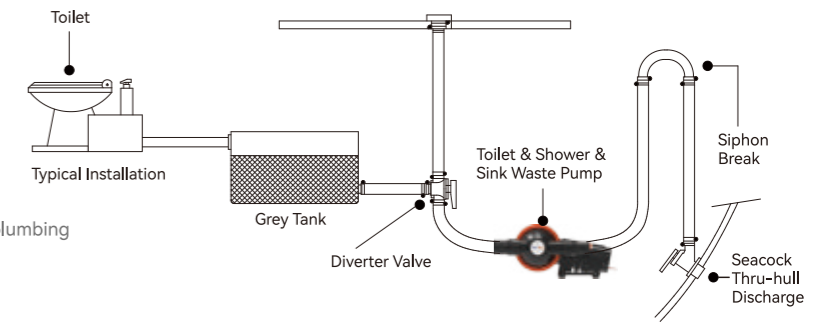
- Inlet:**  
1.5" (39 mm) Hose Barb  
1.5" (39 mm) Threaded Fitting
- Outlet:**  
1" Hose Barb



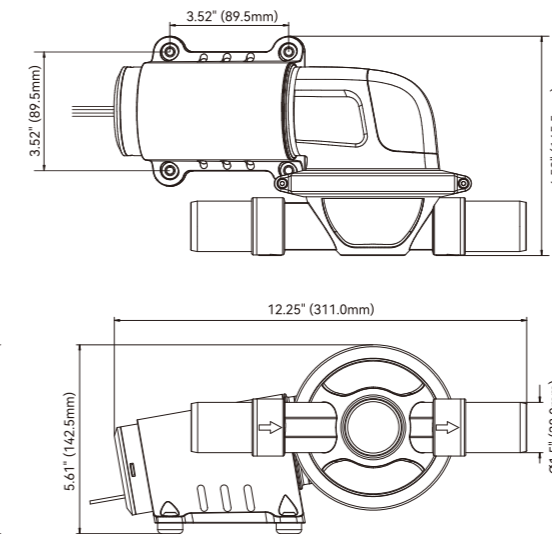
## Toilet & Shower & Sink Waste Pump

### FEATURES & BENEFITS

- Single diaphragm pump designed
- Uses multi-positional ports for easy mounting of the pump
- Flow up to 19 lpm (5 US gpm)
- Self-priming to 3m (9.5ft), dry run capability
- Connections for 38mm (1-1/2"), 19mm (3/4"), and 25mm (1") ports
- The waste pump head assembly to be rotated 360° to accommodate plumbing
- No filter required
- Double outlet valves to ensure continuous flow



### Optional Accessory



360° rotating head for flexible installation



### Standard Pump Configurations

Model	Voltage	GPM/LPM	Impeller	Ports	Lead	Molded	MaxDraw(A)
SFMP1-120-01	12 V	12/45.0	Rubber & Copper	Inlet 1/2" Barb/1/2" NPT Outlet 1" Barb	Yes	N/A	12.0
SFMP2-120-01	24 V	12/45.0	Rubber & Copper	Inlet 1/2" Barb/1/2" NPT Outlet 1" Barb	Yes	N/A	6.0

### Standard Pump Configurations

Model	Voltage	GPM/LPM	MaxDraw(A)	Suction lift	Port
SFMP1-07	12 V	5.0/19.0	8.0A	3m (9.5')	38mm (1 1/2") or 19mm (3/4") or 25mm (1")
SFMP2-07	24 V	5.0/19.0	4.0A	3m (9.5')	38mm (1 1/2") or 19mm (3/4") or 25mm (1")

## Piston Hand Pumps

### FEATURES & BENEFITS

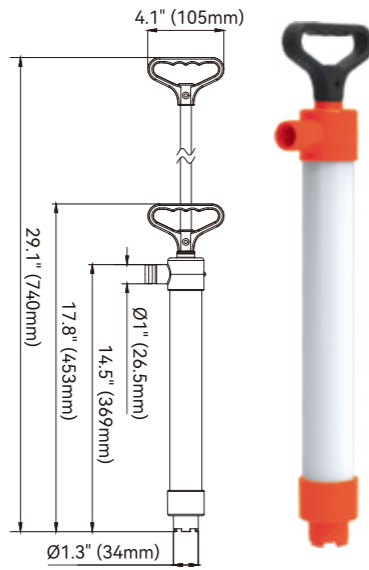
- Portable design - lightweight
- Ease of use - versatile flexible outlet pipe
- Ready to pump - 1.3"/34 mm hose no fittings or plumbing required
- Ease of operation - simple handle plunger
- Suitable for bilge water or diesel transfer
- Available in two barrel lengths 369 mm (14.5") or 629 mm (24.8")
- Lighter and smoother compare with old hand pump

### TYPICAL APPLICATIONS

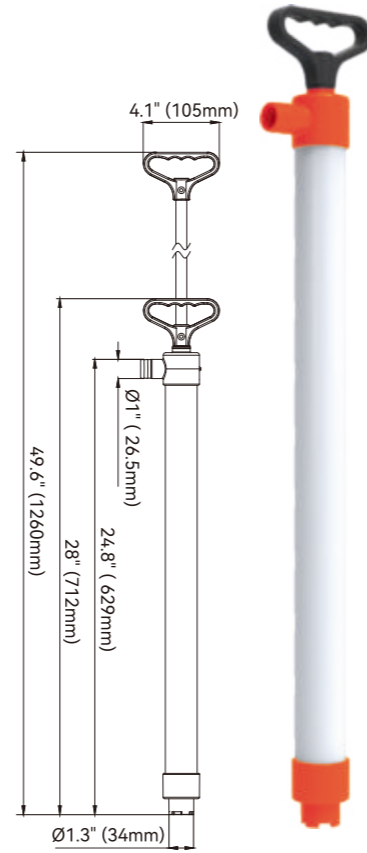
- Marine
- Kayaks & Canoes
- RV & Campers
- Industrial



PE Bag



Short Barrel Version (740)



Long Barrel Version (1260)

### Standard Pump Configurations

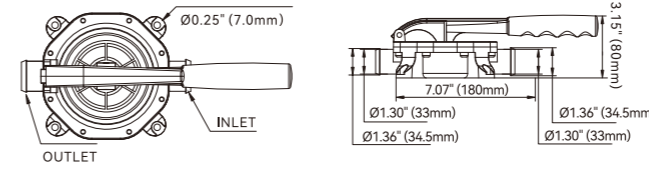
	Short Barrel Version		Long Barrel Version	
Product Code	SFPH-H740-01	SFPH-H740-02	SFPH-H1260-01	SFPH-H1260-02
color	white	black	white	black
Hose Connections	1.3" (34 mm) Hose Connections		1.3" (34mm) Hose Connections	
Weight	0.93 lbs (0.42 kg)		1.14 lbs (0.52 kg)	
Materials	Pump body: PVC, Valve: EPDM		Pump body: PVC, Valve: EPDM	
Materials In Contact with Fluid	PVC, EPDM		PVC, EPDM	
Suction Lift	3' (1 m)		3' (1 m)	
Discharge Head	1.5' (0.5 m)		1.5' (0.5 m)	
45 Strokes per Minute	15.8 ltrs (4.2 US gals)		27 ltrs (7.1 US gals)	
70 Strokes per Minute	24.5 ltrs (6.5 US gals)		42 ltrs (11.1 US gals)	

## Diaphragm Hand Pumps

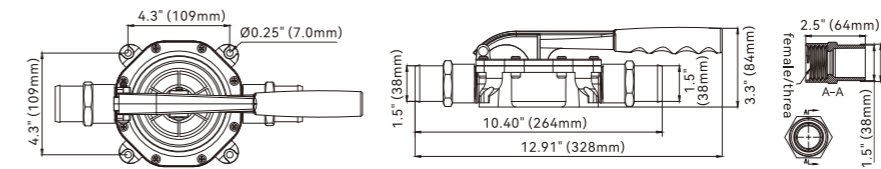
### FEATURES & BENEFITS

- Proven design - tough yet lightweight polypropylene materials
- Versatility of installation
- Simple plumbing- 1-1/4" (34 mm) smooth hose connection options
- Ease of operation - molded grip handle

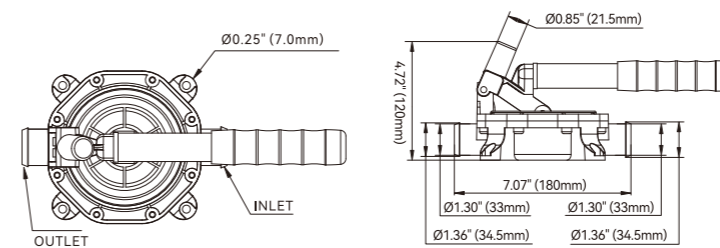
- Easy maintenance - easy remove diaphragm
- Secure fit - robust molded base
- Compact design - ideal for confined spaces
- Reliable performance - U-shaped outlet valve
- Efficient performance - up to 5.3 Gallons Per Minute



Plastic hand pump (SFDHP-G720-01 without fittings)	
Product Code	SFDHP-G720-01
Hose Connections	1.36" (34.5 mm) Hose Connections
Weight	0.99 lbs (0.45 kg)
Materials	Pump Body: Glass-filled Polypropylene, Diaphragm: EPDM, Fasteners: Stainless Steel
Materials On Contact with Fluid	Glass-filled Polypropylene, EPDM, Stainless Steel



Plastic hand pump (SFDHP-G720-02 with HPF01 fittings)	
Product Code	SFDHP-G720-02
Hose Connections	1.5" (38.1 mm) Hose Connections
Weight	1.19 lbs (0.54 kg)
Materials	Pump Body: Glass-filled Polypropylene, Diaphragm: EPDM, Fasteners: Stainless Steel
Materials On Contact with Fluid	Glass-filled Polypropylene, EPDM, Stainless Steel



Aluminum hand pump	
Product Code	SFDHA-G720-01
Hose Connections	1.36" (34.5 mm) Hose Connections
Weight	1.25 lbs (0.57 kg)
Materials	Pump Body: Glass-filled Polypropylene, Diaphragm: EPDM, Fasteners: Stainless Steel
Materials On Contact with Fluid	Glass-filled Polypropylene, EPDM, Stainless Steel





Color Box

Bronze Pump Head



Color Box

Plastic Pump Head



## Self-priming Bilge Pumps

### FEATURES & BENEFITS

- Sealed motor design
- Thermally Protected Motor
- High Quality Efficient Motor
- Self-priming
- Stainless Steel Shaft
- Great for bilge water that traditional pumps cannot get to

### PUMP

- Liquid Temperature 140°F (60°C) Max.
- Priming Capabilities 4 feet (1.2 m) suction lift
- Power 10 amps max current draw
- Max Pressure 3 m (9.8 ft)

### MOTOR

- Type High quality seamless design that is thermally protected
- Leads Wire leads
- Duty Cycle Intermittent
- Voltage 12 V/24V

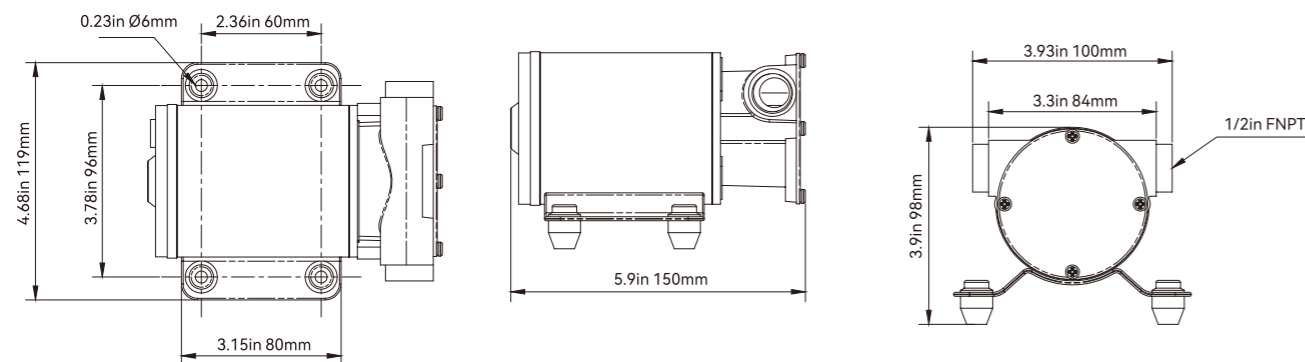
### Optional Accessories



SFSP1-03  
Impeller (0.31") 8mm

### TYPICAL APPLICATIONS

- Bilge pump
- Industrial use
- Water transfer



### Standard Pump Configurations

Model	Voltage	GPM/LPM	Pump Head	Impeller	Ports	Lead	Molded	Max Draw(A)
SFSP1-080-003-01	12V	8.0 / 30.0	Bronze	Rubber & copper	1/2" FNPT	Yes	N/A	10.0
SFSP2-080-003-01	24V	8.0 / 30.0	Bronze	Rubber & copper	1/2" FNPT	Yes	N/A	7.0

## Self-priming Bilge Pumps

### FEATURES & BENEFITS

- Sealed motor design
- Thermally Protected Motor
- High Quality Efficient Motor
- Self-priming
- Stainless Steel Shaft
- Great for bilge water that traditional pumps cannot get to

### PUMP

- Liquid Temperature 140°F (60°C) Max.
- Priming Capabilities 4 feet (1.2 m) suction lift
- Power 10 amps max current draw
- Max Pressure 3 m (9.8 ft)

### MOTOR

- Type High quality seamless design that is thermally protected
- Leads Wire leads
- Duty Cycle Intermittent
- Voltage 12 V/24V

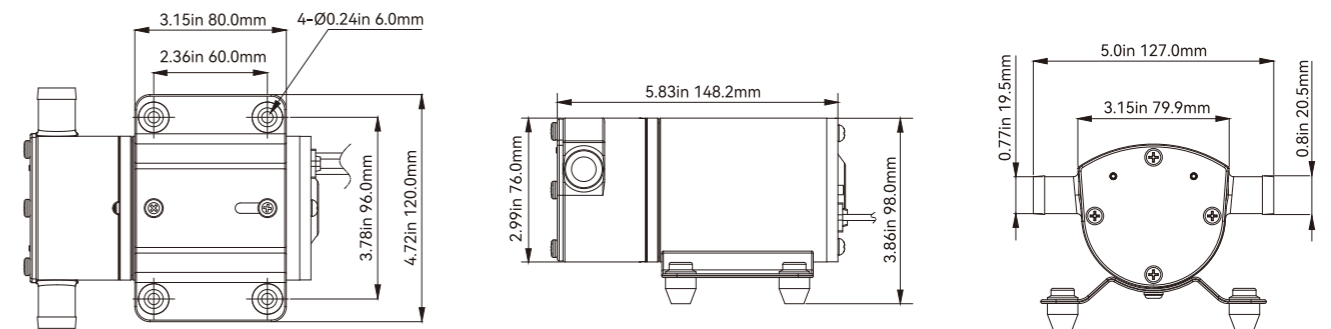
### Optional Accessories



SFSP1-03  
Impeller (0.31") 8mm

### TYPICAL APPLICATIONS

- Bilge pump
- Industrial use
- Water transfer



### Standard Pump Configurations

Model	Voltage	GPM/LPM	Pump Head	Impeller	Ports	Lead	Molded	Max Draw(A)
SFSP1-080-003-02	12V	8.0 / 30.0	Plastic	Rubber & copper	3/4" hose barb	Yes	N/A	10.0
SFSP2-080-003-02	24V	8.0 / 30.0	Plastic	Rubber & copper	3/4" hose barb	Yes	N/A	5.0

## Ballast Pump 01 / 02 Series **PRO**

### FEATURES & BENEFITS

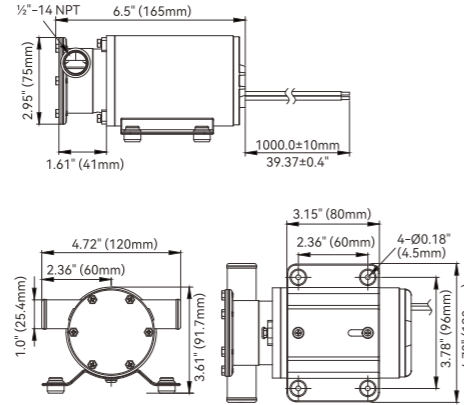
- Reversible pump both fills and empties ballast tanks
- 13.5 GPM / 50 LPM flow rate (01 series), 30 GPM / 113 LPM flow rate (02 series)
- Self-priming to 6.5 ft. (2m)
- Use with Reversing Polarity Switch to fill or empty ballast tanks
- High performance and output of intermittent work cycles
- Improved impeller designed for run dry for short duration
- Built in thermal overload protection, automatically reset after cooling



**SFSP-030-08**  
Reversing Polarity Switch  
(Sold separately)  
Ballast systems fitted with our Reversing Polarity Switch can fill or empty ballast tanks with one pump in minutes



### Ballast Pump 01 Series



#### Optional Accessories



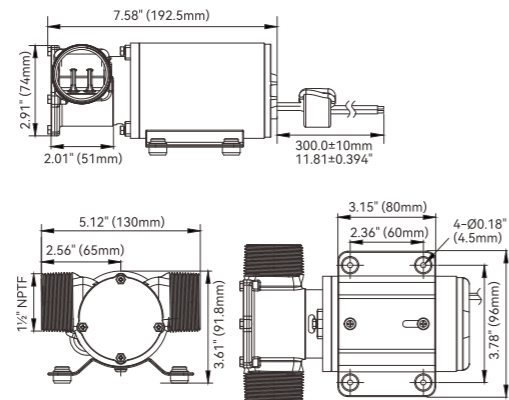
SFSPI-01  
Impeller (0.87") 22mm



Color Box

Model	Voltage	GPM/LPM	Impeller	Head	Amp (A)	Ports
SFSP1-050-003-01	12 V	13.5 / 50	TPU	2 m / 6.5'	14	1/2" NPT
SFSP2-050-003-01	24 V	13.5 / 50	TPU	2 m / 6.5'	7	1/2" NPT

### Ballast Pump 02 Series



#### Optional Accessories



SFSPI-02  
Impeller (1.73") 44mm



Color Box

Model	Voltage	GPM/LPM	Impeller	Head	Amp (A)	Ports
SFSP1-113-009-02	12 V	30 / 113	TPU	2 m / 6.5'	20	1 1/2" NPT
SFSP2-113-009-02	24 V	30 / 113	TPU	2 m / 6.5'	10	1 1/2" NPT

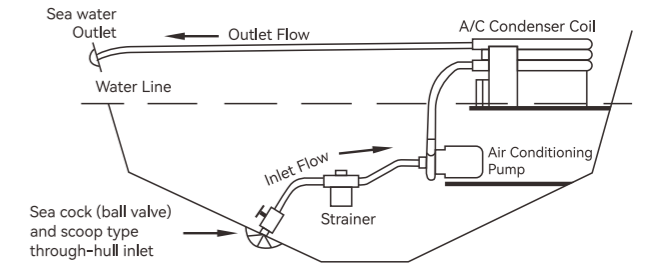
## Air Conditioning Pump

### FEATURES & BENEFITS

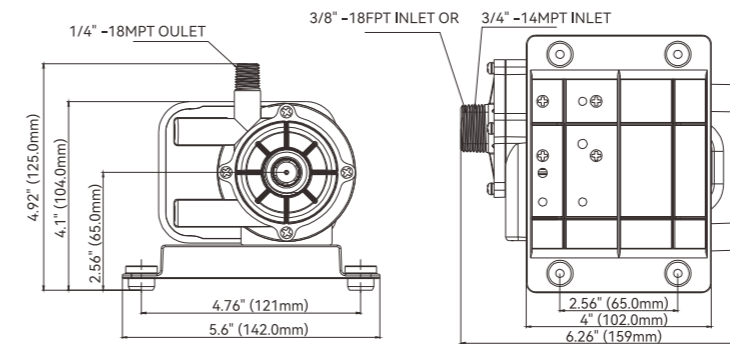
- For use with AC system up to 12,000 BTU
- More than 10,000 hours lifetime
- 5 GPM ( 250GPH) seawater circulation pump
- 8.5 GPM ( 500GPH) seawater circulation pump
- Run dry safe for normal workloads
- Continuous duty
- Replaces any brand marine air conditioning pump

### PUMP

- Liquid: 130 °F (54 °C) Max.
- Inlet/Outlet Ports**
- Inlet: 3/8" NPT & 3/4" NPT ( 250GPH), 3/4" FPT ( 500GPH)
- Outlet: 1/4" NPT ( 250GPH), 1/2" MPT ( 500GPH)



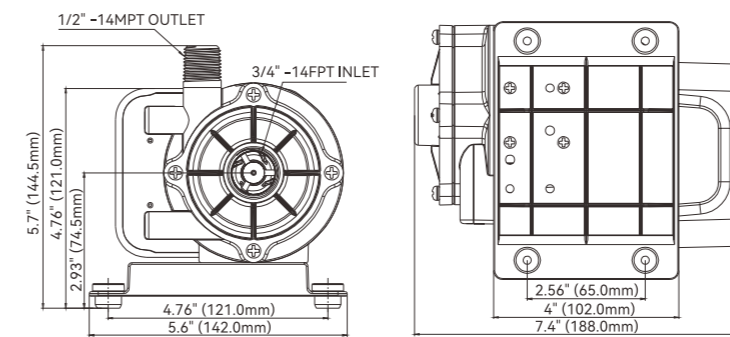
### Air Conditioning Pump (250GPH)



Color Box

Model	SFCPA1-G250-01		SFCPA2-G250-01	
	115 V	50 Hz	230 V	50 Hz
Frequency	60 Hz	50 Hz	60 Hz	50 Hz
Flow Rate	5 GPM	18.5 LPM	5 GPM	18.5 LPM
Head	13' / 5.7 psi	8.8' / 2.7 m	13' / 5.7 psi	8.8' / 2.7 m
Power	56 W	56 W	55 W	55 W
Amps Draw	0.99 A	1.1 A	0.50 A	0.56 A

### Air Conditioning Pump (500GPH)



Color Box

Model	SFCPA1-G500-01		SFCPA2-G500-01	
	115 V	50 Hz	230 V	50 Hz
Frequency	60 Hz	50 Hz	60 Hz	50 Hz
Flow Rate	8.5 GPM	31 LPM	8.5 GPM	31 LPM
Head	19' / 8.2 psi	14' / 4.3m	19' / 8.2 psi	14' / 4.3m
Power	115 W	110 W	110 W	105 W
Amps Draw	1.8 A	1.9 A	0.9 A	0.9 A

**316L  
Stainless Steel**  
316L stainless steel pump head  
heavy-duty and durable design



## Centrifugal Pump PRO

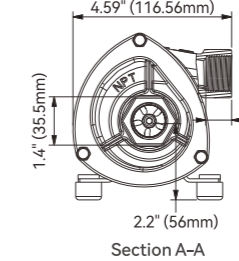
Handles seawater, fresh water, antifreeze, mild chemicals, and bilge water.  
Resistant to general chemicals and non-polar solvents.  
Suitable for liquid circulation and transfer applications.  
Connections for 3/4" BSP/NPT.

Continuously rated.  
Fluid temperature: 4°C (39°F) min, 95°C (203°F) max.  
ISO 8846 Marine (Ignition Protection).  
ISO 8849 Marine (Bilge Pump Standard).

## Low Pressure Centrifugal Pump



**29GPM/110LPM  
8PSI/0.55Bar**



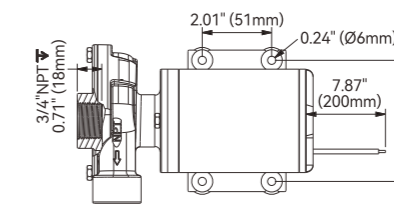
Section A-A



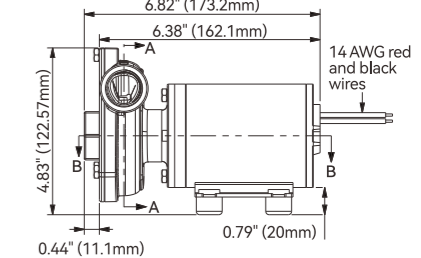
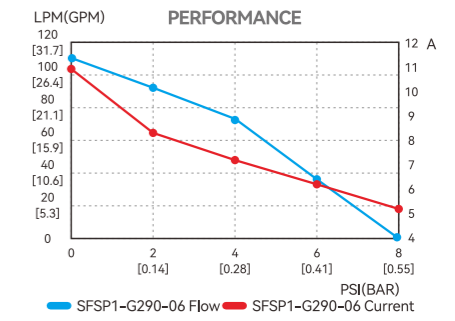
3/4" NPT



3/4" BSP



Section B-B

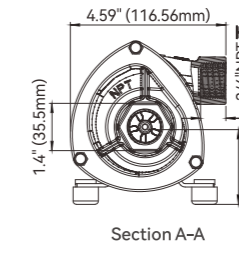


Model	Voltage	Max Draw	Open Flow	Stall Pressure	Max Head	Fuse	Ports
SFSP1-G290-06N	12V	13A	29GPM/110LPM	8PSI/0.55Bar	5.5m/18ft	15A	3/4" NPT
SFSP2-G290-06N	24V	7A	29GPM/110LPM	8PSI/0.55Bar	5.5m/18ft	10A	3/4" NPT
SFSP1-G290-06B	12V	13A	29GPM/110LPM	8PSI/0.55Bar	5.5m/18ft	15A	3/4" BSP
SFSP2-G290-06B	24V	7A	29GPM/110LPM	8PSI/0.55Bar	5.5m/18ft	10A	3/4" BSP

## High Pressure Centrifugal Pump



**21GPM/80LPM  
18PSI/1.24Bar**



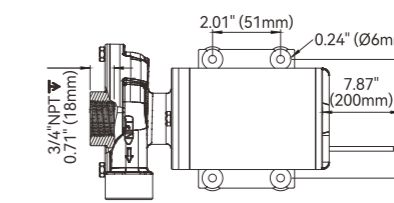
Section A-A



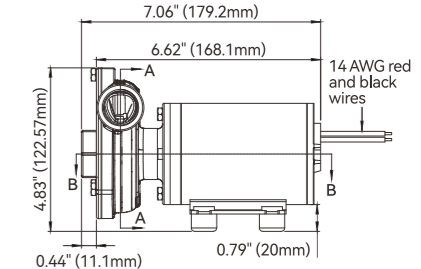
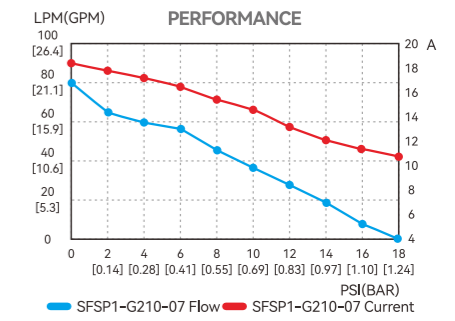
3/4" NPT



3/4" BSP



Section B-B



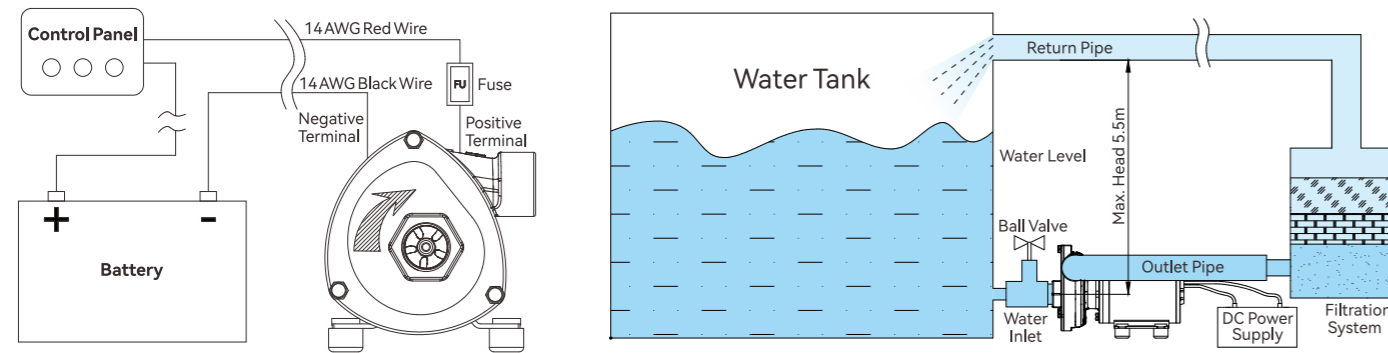
Model	Voltage	Max Draw	Open Flow	Stall Pressure	Max Head	Fuse	Ports
SFSP1-G210-07N	12V	22A	21GPM/80LPM	18PSI/1.24Bar	12.4m/40ft	25A	3/4" NPT
SFSP2-G210-07N	24V	12A	21GPM/80LPM	18PSI/1.24Bar	12.4m/40ft	15A	3/4" NPT
SFSP1-G210-07B	12V	22A	21GPM/80LPM	18PSI/1.24Bar	12.4m/40ft	25A	3/4" BSP
SFSP2-G210-07B	24V	12A	21GPM/80LPM	18PSI/1.24Bar	12.4m/40ft	15A	3/4" BSP

Head unit rotates in 90° segments giving 4 port options

Long-life DC motor  
2,500 hours (high pressure)  
3,500 hours (low pressure)

High flow rate  
21 GPM (high pressure)  
29 GPM (low pressure)

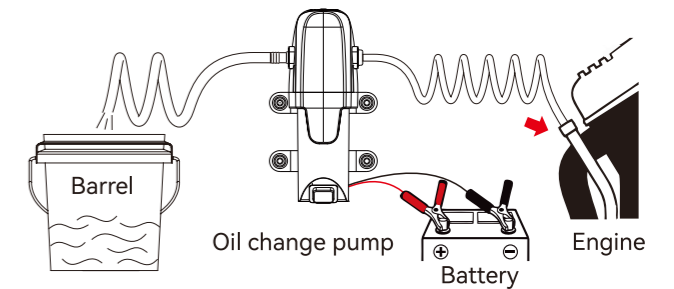
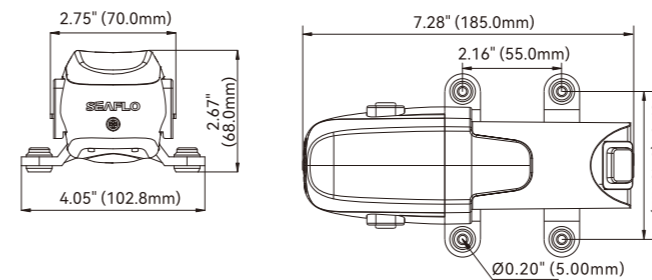
Anti-clogging impeller design  
passes soft debris <5mm, hard  
particles <1mm



Example of Active Water Circulation Application

### Oil Change System 02

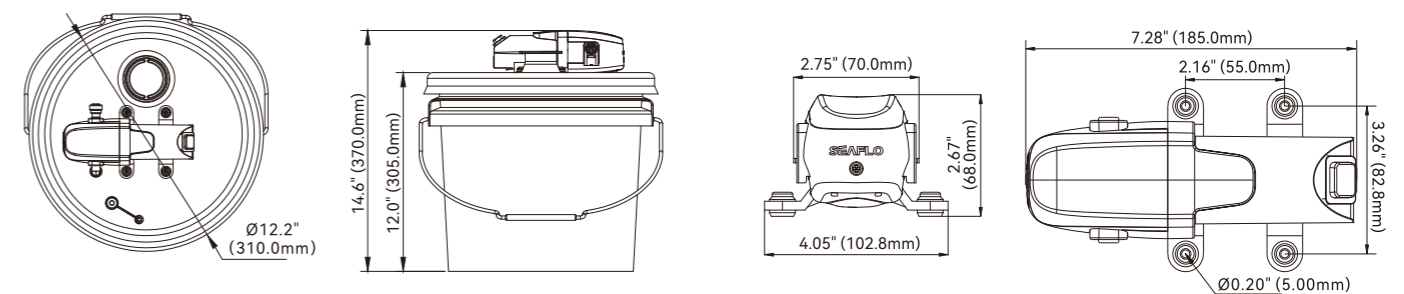
Self-contained oil change system  
 Self-priming up to 5 feet (1.5m), run dry capable pump, thermal overload protection  
 Battery clamp leads and on-off switch to make pumping process quick and simple  
 8 feet (2.4m) , oil & heat resistant ¼ inch suction tube  
 6.6 feet (2m) battery leads with alligator clips  
 With 3 m of 10/14 mm (inner/outer diameter) transparent PU tube  
 Very portable and easy to carry  
 Perfect for changing engine oil in Boats, Rv's, Lawn and Garden Equipment  
 Easy to operate - four easy steps to fast, clean oil  
 Perfect for changing engine oil in Boats, RV's, Lawn and Garden Equipment.



Model Number	Voltage	Amp Draw	Fuse Size	Open Flow	Dimension(L*W*H)
SFOCS1-015-02	12V DC	2A	5A	1.5GPM / 5.6LPM	7.28" x 4.05" x 2.67" (185 x 103 x 68 mm)

### Oil Change System 01

Self-contained oil change system  
 Self-priming up to 5 feet (1.5m), run dry capable pump, thermal overload protection  
 Battery clamp leads and on-off switch to make pumping process quick and simple  
 Secured fully assembled 4 gallon (15 L) pail prevents wobble and spillage  
 Vent hole can prevent the barrel from expanding and unable to pump oil  
 Drain Spout for easy pouring  
 No spilling and very portable, easy to empty and easy to carry  
 Easy to operate - four easy steps to fast, clean oil



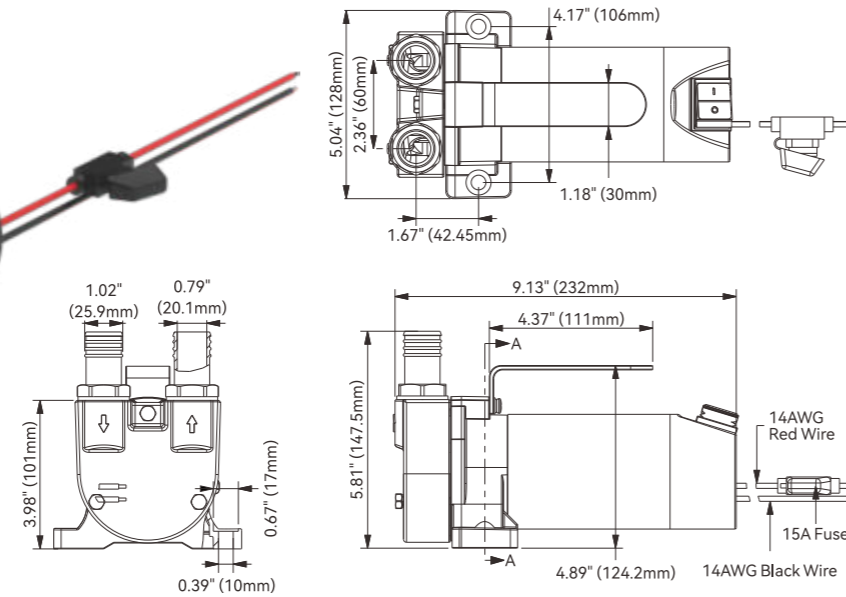
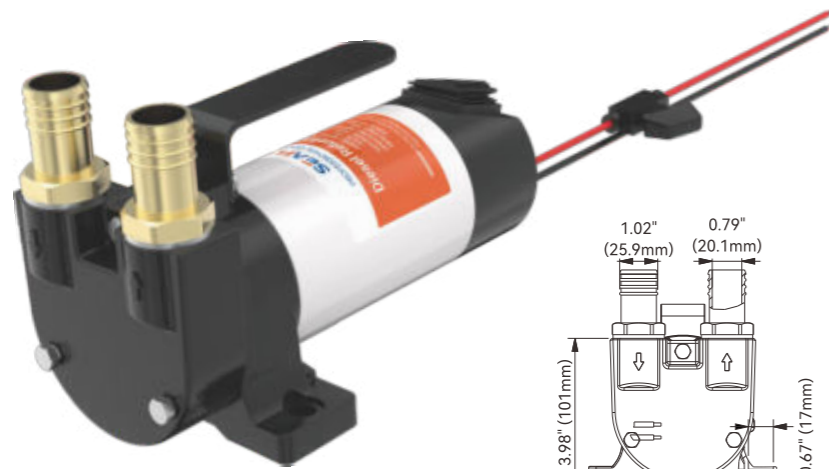
Model Number	Voltage	Amp Draw	Fuse Size	Open Flow	Battery Leads	Suction Tube	Weight
SFOCS1-015-01	12V DC	2A	5A	1.5GPM / 5.6LPM	6.6' / 2m	8' / 2.4m	3.7lbs / 1.69kg



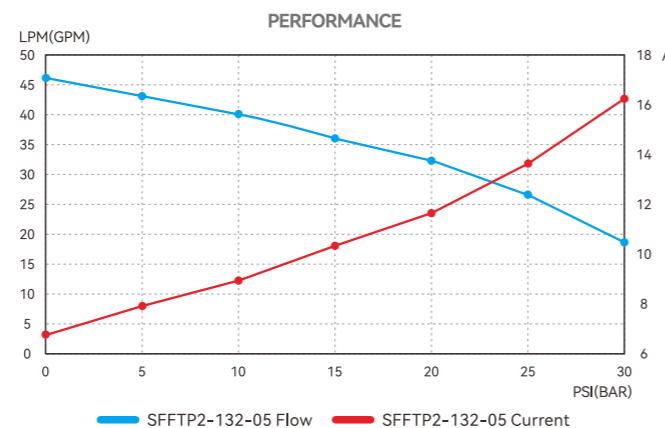
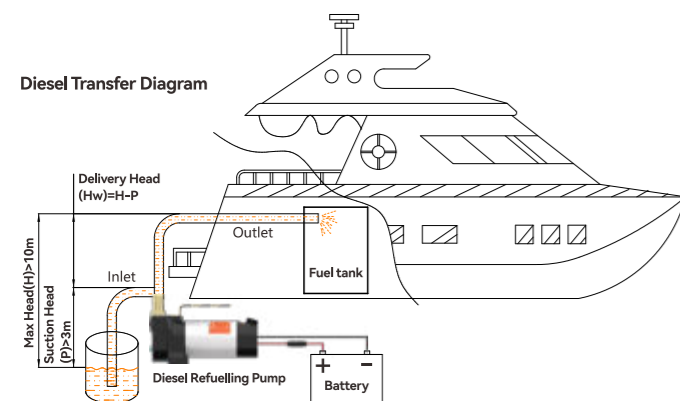
## Diesel Refuelling Pump **PRO**

### FEATURES & BENEFITS

- Flow rate up to 50LPM (13GPM) for fast refuelling
- Self-priming capability with up to 3 metres (9.6 feet) vertical distance
- High head capability goes to maximum 10 metres (32 feet)
- IP55 protected motor resists dust and water ingress
- Capable of continuous rated operation at 3 metres lift
- Support overheat and over-current protection
- Vibration tested for safety guarantee
- Effortlessly turn on/off the pump with the easy-to-use rocker switch
- Supplied 1-inch hose adaptors for easy installation
- Rugged cast iron construction with bronze sliding vanes for long working in challenging condition



Model	Voltage	Open Flow	Current	Max Draw	Fuse	Suction	Head (Max)	Ports
SFFTP1-132-05B	12 V	50LPM/13GPM	16A	20A	25A	3m	10m	3/4" BSP
SFFTP2-132-05B	24 V		8A	10A	15A	3m	10m	3/4" BSP
SFFTP1-132-05N	12 V		16A	20A	25A	3m	10m	3/4" NPT
SFFTP2-132-05N	24 V		8A	10A	15A	3m	10m	3/4" NPT



## Gear pumps

### FEATURES & BENEFITS

- Perfect for pumping oil
- Metal pump head
- Metal gears
- Sealed Motor Design
- Thermally Protected Motor
- Self-priming
- Stainless Steel Shaft

### TYPICAL APPLICATIONS

- Extreme duty Transmission fluid transfer
- Lubricant and viscous liquid transfer
- Industrial use
- Oil change pump

### PUMP

- Liquid Temperature**  
140°F (60°C) Max.
- Priming Capabilities**  
Not needed flooded suction
- Power**  
10 amps max current draw
- Max Pressure**  
Not needed
- Inlet/Outlet Ports**  
3/8" FNPT (9.52 mm) thread fitting
- Weight**  
5.46lbs (2.48 kg)

### MOTOR

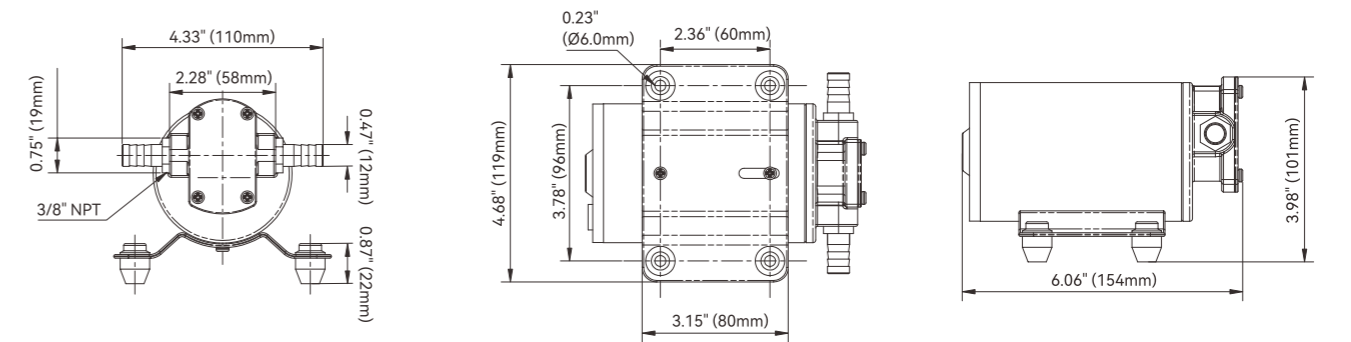
- Type**  
High quality seamless design that is thermally protected
- Leads**  
Wire leads
- Temperature Limits**  
140°F (60°C) Max.
- Duty Cycle**  
Intermittent
- Voltage**  
12 V / 24V



Standard Accessories



GPF001 GPF001  
3/8" MNPT x 1/2" Barb



### Standard Pump Configurations

Model	Voltage	GPM/LPM	Impeller	Ports	Lead	Molded	Max Draw(A)
SFGP1-032-003-01	12V	3.2 / 12.0	copper	3/8" FNPT	Yes	N/A	10.0
SFGP2-032-003-01	24V	3.2 / 12.0	copper	3/8" FNPT	Yes	N/A	6.0

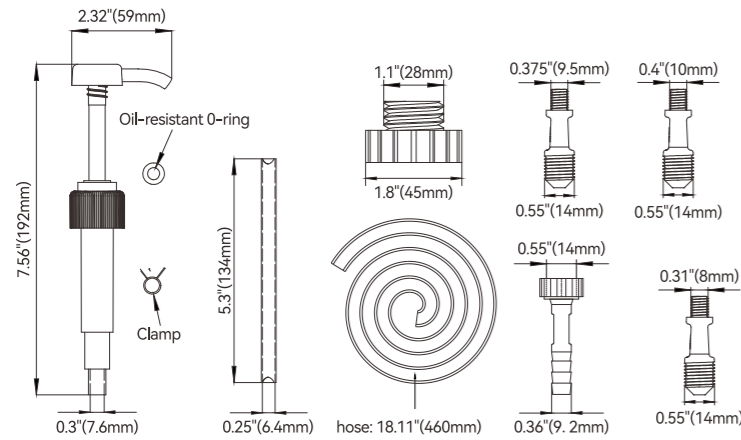
## Gear Oil Lube Pump

### FEATURES & BENEFITS

Three sizes adapters: 8mm, 9.5mm, and 10mm to adapt to different outboard motors  
Equipped with a twist-on cap to accommodate quart bottles of different sizes  
8 cc stable current per stroke, 18" clear flexible hose for pumping liquids into tight places



Blister



Model	Per pump stroke	Adapter size	Clear flexible hose length
SFOCS-008-04	8cc	8mm, 9.5mm, 10mm	18"(460mm)

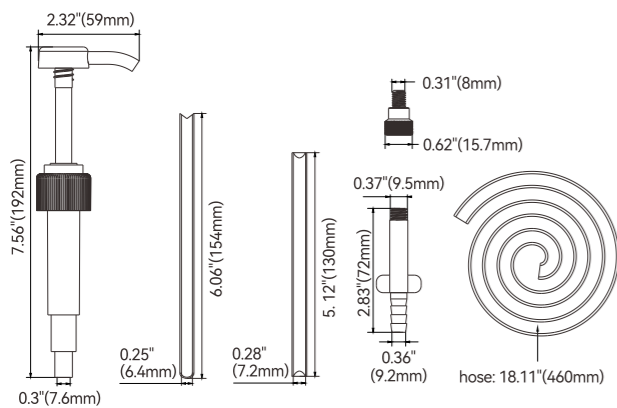
## Gear Oil Lube Pump

### FEATURES & BENEFITS

Fits standard quart bottles with 28 mm bottle cap  
Long and short suction tubes for tall and short quart bottles  
8 cc stable current per stroke, 18" clear flexible hose for pumping liquids into tight places  
3/8"-16 adapter Fits for all Mercury and Mariner Outboard Motors and other American made outboards  
8 mm aluminum adapter fits for Yamaha, Nissan, Tohatsu, Honda and Johnson Evinrude outboards



Blister



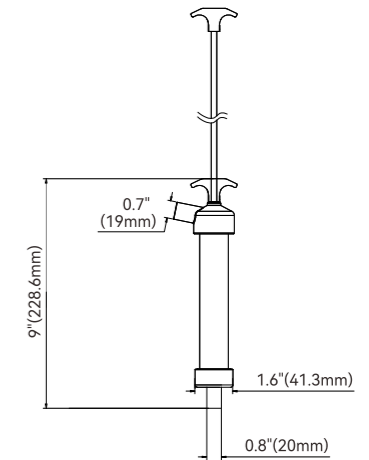
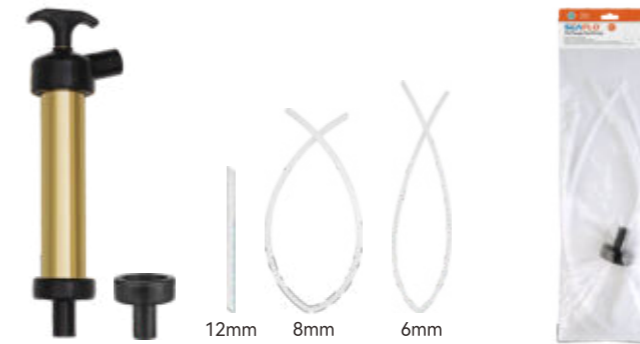
Model	Per pump stroke	Adapter size	Clear flexible hose length
SFOCS-008-03	8cc	8mm	18"(460mm)

## Oil Change Hand Pump

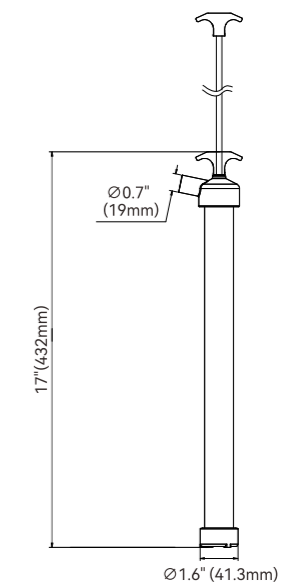
The Self-Priming Hand Pump that is made of brass for oil change purpose. It is quick and simple to remove and refresh vehicle's oil perfect for boats, off-road vehicle, RVs and Auto. It also great for changing oil on inboard and outboard boats motors and RV.

### FEATURES & BENEFITS

Portable design - lightweight  
Ease of use - versatile flexible outlet pipe  
Comes with 6mm,8mm or 12mm plastic tubes for your work convenience  
Designed to fit engine dipstick tube  
Ease of operation - simple handle plunger  
Available in two barrel lengths 229 mm (9") or 432 mm (17")



Model	Hose connections	Housing Material	Tube Material	Length of Pump	Extra Adapter Provided
SFPH-H350-03	6mm, 8mm and 12mm Hose connections	Brass	Plastic	9"	Yes



Model	Hose connections	Housing Material	Tube Material	Length of Pump	Extra Adapter Provided
SFPH-H765-03	9.5mm Hose connections	Brass	Plastic	17"	No

## Fuel Transfer Pump

### FEATURES & BENEFITS

- Free you from lifting heavy fuel cans
- Fast transfer rate up to 3.2GPM
- The flow rate can be controlled by manual control nozzle
- Overload protection to prevent from safety hazard
- Portable and light weight for easy store and convenient use
- Work perfectly with SEAFLO fuel cans
- Transfers Gasoline, Diesel, Antifreeze, Light Oil, Chemical insecticides, Detergent, etc



Simple Switch  
Switch on to start pump

Simple Hook  
Hook nozzle when not use



Color Box

### Standard Tank Configurations

Model	Battery	Voltage	Max Flow Rate	Max Head	Duration	Tubing length	N.W / G.W
SFFTP5-025-01	2pcs of D battery (N/A)	3V	2.5GPM	4.92' / 1.5m	1 H	in: 506 mm out: 1050 mm	387 / 610 g
SFFTP5-032-01	Rechargeable lithium battery	3.7V	3.2GPM	9.84' / 3.0m	2 H	in: 506 mm out: 1050 mm	513 / 760 g
SFFTP1-032-01	No, with power cable	12V	3.2GPM	9.84' / 3.0m	Continuous	in: 506 mm out: 1050 mm	393 / 710 g

### FEATURES & BENEFITS

- Free you from lifting heavy fuel cans
- Fast transfer rate up to 2.4GPM
- The flow rate can be controlled by manual control nozzle
- Overload protection to prevent from safety hazard
- Portable and light weight for easy store and convenient use
- Work perfectly with SEAFLO fuel cans
- Transfers Gasoline, Diesel, Antifreeze, Light Oil, Chemical insecticides, Detergent, etc



Simple Switch  
Switch on to start pump

Simple Hook  
Hook nozzle when not use



Color Box

### Standard Tank Configurations

Model	Battery	Voltage	Max Flow Rate	Max Head	Duration	Tubing length	N.W / G.W
SFFTP5-022-01	2pcs of D battery (N/A)	3V	2.2GPM	4.92' / 1.5m	40min	in: 490 mm out: 1050 mm	380 / 600 g
SFFTP5-024-01	Rechargeable lithium battery	3.7V	2.4GPM	5.91' / 1.8m	1.5H	in: 490 mm out: 1050 mm	500 / 750 g
SFFTP1-024-01	No, with power cable	12V	2.4GPM	5.91' / 1.8m	Continuous	in: 490 mm out: 1050 mm	380 / 700 g

## Battery Powered Fuel Transfer Pump

### FEATURES & BENEFITS

- LED is on when pump turns on, and off when pump turns off
- Explosion-proof motor and overload protection
- Weather-resistant and corrosion-resistant hose
- Auto-stop sensor to stop when full
- Simply press to start and stop



With level sensing  
function, automatic stop  
when filling up

Reminder of the operating  
status of the oil pump with  
indicator light



Color Box

FTP21  
48.4 mm

FTP22  
59.5 mm

FTP23  
65.2 mm

### Standard Pump Configurations

Model	Battery	Max Flow Rate	Max Head	Tubing length
SFFTP5-024-02	AA (N/A)	2.4GPM	4.92' / 1.5m	in: 506 mm out: 1050 mm
SFFTP5-032-02	Lithium	3.2GPM	9.84' / 3.0m	in: 506 mm out: 1050 mm

### FEATURES & BENEFITS

- LED is on when pump turns on, and off when pump turns off
- Explosion-proof motor and overload protection
- Weather-resistant and corrosion-resistant hose
- Auto-stop sensor to stop when full
- Simply press to start and stop



With level sensing  
function, automatic stop  
when filling up

Reminder of the operating  
status of the oil pump with  
indicator light



Color Box

FTP21  
48.4 mm

FTP22  
59.5 mm

FTP23  
65.2 mm

FTP24  
41.4mm

### Standard Pump Configurations

Model	Battery	Max Flow Rate	Max Head	Tubing length
SFFTP5-022-02	AA (N/A)	2.2GPM	4.92' / 1.5m	in: 480 mm out: 1050 mm
SFFTP5-025-02	Lithium	2.5GPM	5.91' / 1.8m	in: 480 mm out: 1050 mm

## All Star Series - Auto Shut Off Fuel Cans / 5L, 10L, 20L

### DESCRIPTION

It is the latest version (the third generation) of SEAFLO all-star jerry can. With more user-friendly designs, SEAFLO all-star jerry can is more convenient and safer to use. It can hold gasoline, diesel, engine oil, alcohol, clean fuels, etc. The products are widely used in outdoor fuel equipment, such as automobiles, RVs, yachts, garden tools, agricultural equipment, ATVs; it also can be used in pharmaceutical factories, gas stations, energy factories, etc.

### FEATURES & BENEFITS

- ① Auto shut off nozzle is easy to operate and will be closed automatically to prevent from leakage
- ② Child proof lock for safer use
- ③ Unique liquid level line for checking the volume at a glance
- ④ Innovative U-shaped groove design, Body of can has better ability of shock resistance, which make it solid and durable
- ⑤ Venting hole ensures faster and safer filling
- ⑥ Humanized side handle for easier use
- ⑦ The fixation problems during transportation is solved easily when U-shaped groove and band fit together.
- ⑧ Widened bottom to prevent from falling; for easy and safe storage, transportation
- ⑨ Slot design for easy stacking
- ⑩ Meet Australian standard of AS/NZS 2906:2001
- ⑪ Meet requirements of EPA & CARB certification



Model	Capacity	Size(L*W*H)	Weight (DRY)	Fuel	Color
SFGT-05-02	5 L	10.43"x5.43"x9.53" (265x138x242 mm)	0.8 kg	Gasoline	Red
SFGT-10-02	10 L	11.42"x7.24"x12.8" (290x184x325 mm)	1.3 kg		
SFGT-20-02	20 L	13.58"x8.82"x15.55" (345x224x395 mm)	1.8kg		



Model	Capacity	Size(L*W*H)	Weight (DRY)	Fuel	Color
SFDT-05-02	5 L	10.43"x5.43"x9.53" (265x138x242 mm)	0.8 kg	Diesel	Yellow
SFDT-10-02	10 L	11.42"x7.24"x12.8" (290x184x325 mm)	1.3 kg		
SFDT-20-02	20 L	13.58"x8.82"x15.55" (345x224x395 mm)	1.8kg		



Model	Capacity	Size(L*W*H)	Weight (DRY)	Fuel	Color
SF2T-05-02	5 L	10.43"x5.43"x9.53" (265x138x242 mm)	0.8 kg	Two-stroke	Green
SF2T-10-02	10 L	11.42"x7.24"x12.8" (290x184x325 mm)	1.3 kg		
SF2T-20-02	20 L	13.58"x8.82"x15.55" (345x224x395 mm)	1.8kg		

Consult factory for other available models

## Plastic 5L, 10L, 20L Auto Shut Off Fuel Cans

Fuel Container Gasoline, Diesel, Two-stroke engine oil EAP & AS/NZS 2906:2001 Standards

### DESCRIPTION

Seaflo 5, 10 & 20 Litre automatic shut off fuel cans which are designed with specially proportioned rear handle for balanced pouring that is self venting for safer & easier pouring.

Features reduced emissions to protect the environment and meets EAP & AS/NZS 2906:2001 Standards.

### TYPICAL APPLICATIONS

Car, lawnmower, atv or snowblower and other essential equipment topped off with fuel

### FEATURES & BENEFITS

Complies to EPA & CARB Standards  
Spill Proof, Durable Vented Pouring Spout  
UV Stabilized High Grade Polyethylene  
Certified to Australian Standard AS/NZS 2906:2001



Model	Capacity	Size(L*W*H)	Weight (DRY)	Fuel	Color	Handle Type
SFGT-05-01	5 L	10.24"x5.12"x10.83" (260x130x275 mm)	0.8 kg	Gasoline	Red	Built-in
SFGT-10-01	10 L	11.42"x6.3"x13.62" (290x160x346 mm)	1.3 kg			
SFGT-20-01	20 L	13"x7.48"x18.74" (330x190x476 mm)	1.8kg			



Model	Capacity	Size(L*W*H)	Weight (DRY)	Fuel	Color	Handle Type
SFDT-05-01	5 L	10.24"x5.12"x10.83" (260x130x275 mm)	0.8 kg	Diesel	Yellow	Built-in
SFDT-10-01	10 L	11.42"x6.3"x13.62" (290x160x346 mm)	1.3 kg			
SFDT-20-01	20 L	13"x7.48"x18.74" (330x190x476 mm)	1.8kg			



Model	Capacity	Size(L*W*H)	Weight (DRY)	Fuel	Color	Handle Type
SF2T-05-01	5 L	10.24"x5.12"x10.83" (260x130x275 mm)	0.8 kg	Two-stroke Gasoline Engine Oil	Green	Built-in
SF2T-10-01	10 L	11.42"x6.3"x13.62" (290x160x346 mm)	1.3 kg			
SF2T-20-01	20 L	13"x7.48"x18.74" (330x190x476 mm)	1.8kg			

Consult factory for other available models



## Portable Marine Boat Fuel Tank With Gauge

### DESCRIPTION

SEAFLO 3 Gallon/12 Liter, 6 Gallon/24 Liter Portable Marine Boat Fuel Tank with Gauge is constructed of 2 layers HDPE, which is strong & durable. Designed with ergonomic handle structure and built-in mechanical pointer make it easier use. It complies with 2010 EPA regulations and meets EPA CFR 40, California CCR 2468 and AS/NZS 2906:2001 standards.

### TYPICAL APPLICATIONS

SEAFLO Portable Fuel Tank is designed for use in all marine and non-marine small engine applications

### FEATURES & BENEFITS

- Automatic vacuum valve ensures proper fuel flow and eliminates the need for manual vent
- Low permeation tank virtually eliminates fuel evaporation and fuel loss.
- 1/4" NPT thread to fit standard tank fittings
- Ethanol and Alcohol compatible



The barrel is made of double-layer blow molding process



Multifunctional fuel cap with lock protection and built in check valve to ensure the pressure balance for inside and outside of tank during use.



Universal nozzle structure to match most of connectors.



Built-in mechanical pointer to know the level of the liquid in the tank through the transparent observation structure.



Design for easily fixing the tank with strap. Allow stacked pack with multiple layers and prevents tank from moving.

#### 3 Gallon



Model: SFGT-12-01  
Capacity: 3 Gallon/12 Liter  
Size: 16.93"x11.42"x7.3"  
Weight (DRY): 2.0KG  
Fuel: Gasoline  
Color: Red

#### 6 Gallon



Model: SFGT-24-01  
Capacity: 6 Gallon/24 Liter  
Size: 19.69"x13.39"x9.49"  
Weight (DRY): 2.8KG  
Fuel: Gasoline  
Color: Red

## HydroThrill Kneeboard (KB02)

### FEATURES & BENEFITS

- Rotational molding process is durable, buoyant and easy to learn
- Kneeling board and tail fin design make it better tracking and more stable during surfing
- EVA kneeling pad makes surfing experience better
- Adjustable elastic straps help stabilize surfing and gliding



Pointed integrated hook



Adjustable straps



EVA kneeling pad

Model	Length	Width	Depth	Weight	Material
KB02	51.3" (130.5cm)	20.4" (52cm)	4.7" (12cm)	5.2kg	HDPE+EVA

## HydroThrill Pro Freeboard (FB04)

### FEATURES & BENEFITS

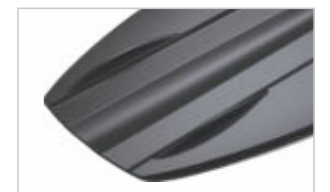
- Ultimate in Versatility - Ride it however you want.
- HDPE+EVA - Durable, buoyant, and easy to learn on.
- Cushion pattern design increases friction and The pointed square head and tail fin design makes it more stable during use- Enhance friction and stability.
- Handles - Perfect for beginners, Armrests on both sides make it easy to hold and carry
- EVA Pad - Soft with plenty of traction.



Fixed handles on both sides



EVA pad



Tail fin design

Model	Length	Width	Depth	Weight	Material
FB04	56.1" (142.5cm)	25.3" (64.5cm)	5.3" (13.5cm)	6kg	HDPE+EVA

## Waterproof Storage Can

### FEATURES & BENEFITS

- Meets the needs of family members of all ages
- Waterproof sealing level up to IPX6 can withstand strong water jets (100Ltr/min)
- Versatile use as a portable single seat stool
- Rectangular barrel design large area of side wall increased buoyancy
- Optional carrying bag available for an additional fee



Multiple specifications  
Meet family needs



Good sealing  
Clean and safe



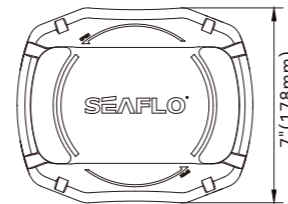
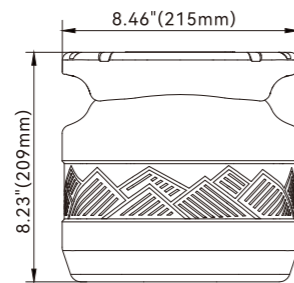
Rectangular chairs  
Easy to carry, seat



Both side with big handle  
Can be the handle when  
Float on water



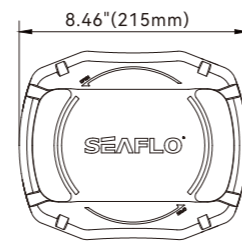
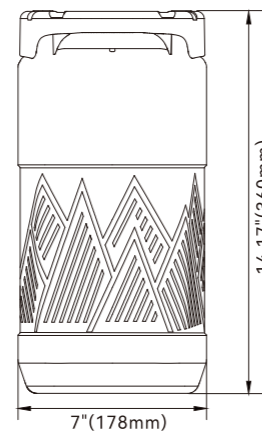
5L



Model	Specification	Size(L*W*H)	Lid material	Barrel body material
WT01-05	5L	8.46"x7"x8.23" (215x178x209mm)	PP	PE



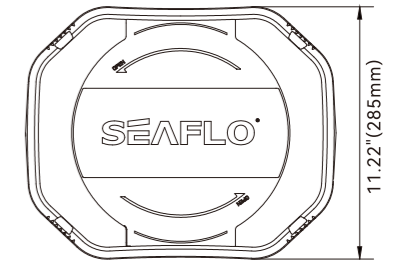
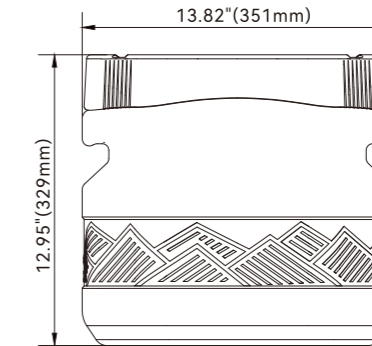
10L



Model	Specification	Size(L*W*H)	Lid material	Barrel body material
WT01-10	10L	8.46"x7"x14.17" (215x178x360mm)	PP	PE



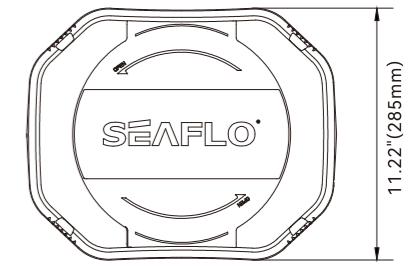
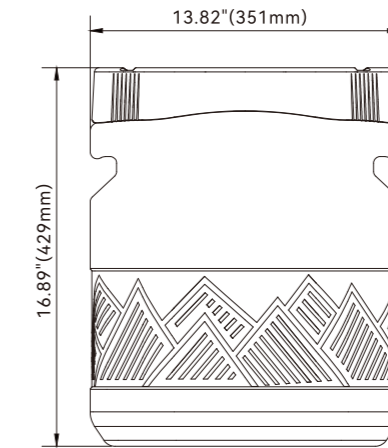
20L



Model	Specification	Size(L*W*H)	Lid material	Barrel body material
WT01-20	20L	11.22"x13.82"x12.95" (285x351x329mm)	PP	PE



30L



Model	Specification	Size(L*W*H)	Lid material	Barrel body material
WT01-30	30L	11.22"x13.82"x16.89" (285x351x429mm)	PP	PE

## Optional matching bag (additional fee applies)

### FEATURES & BENEFITS

- Made of high-quality fabrics, with a certain waterproof performance
- The interlayer is made of high-quality cold insulation fabric, taking into account the cold effect
- Soft to the touch, good breathability
- High wear resistance, good durability
- High-quality zipper products, smooth and not stuck
- 5L and 20L are equipped with a portable cooler bag that can be carried on one shoulder or cross-body; 10L and 30L are equipped with a cold backpack



Cooler Backpack



portable messenger bag

## Flexible Solar Panel

### FEATURES & BENEFITS

- Light weight design, light weight, thin thickness
- Safe and reliable, ETFE Material, IP 67 waterproof
- Higher energy conversion rate, high protection level
- One-shot molding technology anti-shatter, no cracks, no deformed
- Durable quality can be used in harsh environment
- Overcharge reverse connection protection



### Flexible Solar Panel

Model	SFSP1-W100-03
Peak Power (Wp)	100W±5%
Open Circuit Voltage /voc	18.6V
Short Circuit Current /isc	6.6A
Solar Efficiency	23%
Dimension	36.46" x 23.23" x 0.11"
Weight	1.5kg

Model	SFSCC1-010-01	SFSCC1-020-01
Battery Type	GEL/SEL/FLD	
System Voltages	12V	24V
Operating temperature	-35°C~+45°C	
N.W.	0.1Kg	0.16Kg
Dimensions	3.23" x 1.69" x 0.68"	3.23" x 2.26" x 0.78"
Max charging current	10A	20A
Solar panel max input voltage	<30Voc	<55Voc
Solar panel max input power	170W/12V	340W/12V
Light-controlled voltage	5V*n	

Model	SFSCC3-010-02	SFSCC3-020-02
System voltage	12V/24V Auto(FLD/GEL/SEL/USE) Manual(Li)	
Static power consumption	8mA/12V; 12mA/24V	
Max PV input voltage	<55VoC	
Max charging current	10A	20A
Max PV input power	170W/12V; 340W/24V	340W/12V; 680W/24V
Light controlled voltage	5V*n	
Light control delay time	10s	
Max DC load current	10A	20A
Operating temperature	-35°C~ +45°C	
Protection level	IP32	
USB output	5V 1A	
Operating altitude	≤3000 m	
Dimensions	4.8" x 2.76" x 1.36"	
N.W.	0.17kg	

## Solar Charge Controller

Minimalist design, PWM charging, supports up to 170W solar panel. IP68 waterproof design, suitable for any outdoor environment. Compact size and support customized cables, suitable for multiple uses.



## Solar Charge Controller

Support 12/24V battery system, 10/20A two specifications are optional. Optimized structure design, PWM three-stage charging control. Additional USB 5V 1A output. Support lithium battery charge management.



## Solar Car Charger

Model	SFSP1-W010-01	SFSP1-W020-02
Peak Power (Wp)	10W±5%	20W ±5%
Open Circuit Voltage /voc	19.3V	19.0V
Short Circuit Current /isc	0.66A	1.36A
Solar Efficiency	23%	23%
Dimension	12.48" x 8.31" x 0.09"	16.38" x 11.57" x 0.09"
Weight	0.35kg	0.5kg



## 100W Foldable Solar Panel

Model	SFSP1-W100-04
Peak Power (Wp)	100W±5%
Open Circuit Voltage /voc	24.8V
Short Circuit Current /isc	5.3A
DC Output	21V/4.8A
USB-A	5V/3A, 9V/3A, 12V/3A(QC3.0)
USB-C	5V/3A, 9V/3A, 12V/3A, 20V/3.25A (PD65W)
Unfolded Size	40.39" x 30.16" x 0.11"
Folded Size	14.96" x 8.66" x 1.97"
Weight	2.5kg



## 200W Foldable Solar Panel

Model	SFSP1-W200-05
Peak Power (Wp)	200W±5%
Open Circuit Voltage /voc	24.8V
Short Circuit Current /isc	10.0A
DC Output	21V/9.5A
USB-A	5V/3A, 9V/3A, 12V/3A(QC3.0)
USB-C	5V/3A, 9V/3A, 12V/3A, 20V/3.25A (PD65W)
Unfolded Size	70.71" x 31.73" x 0.11"
Folded Size	15.98" x 15.94" x 1.97"
Weight	4.3kg



## 100W Portable Solar Panel

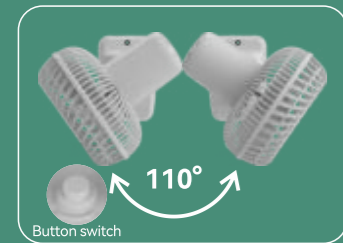
Model	SFSP1-W100-06
Peak Power (Wp)	100W±5%
Open Circuit Voltage /voc	21.8V
Short Circuit Current /isc	5.34A
Unfolded Size	45.83" x 20.43" x 0.82"
Folded Size	22.91" x 20.43" x 1.65"
Solar Efficiency	23%
Weight	2.7kg



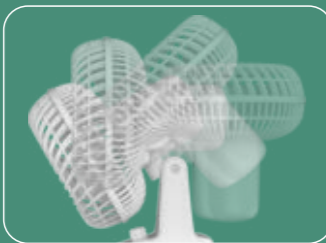
**64-193 CFM**  
**100-300 m/min**

**Micro Adjusted Speed Control  
DC Oscillating Fan**

This DC oscillating fan features dual high-efficiency DC motors and supports micro-adjusted speed control and multi-angle airflow. It comes equipped with a 7.13-inch safety grille and supports surface-mounted, wall-mounted, or ceiling-mounted installation. Ideal for use inside boats and RVs, during outdoor camping, and in various other environments.



One-touch automatic oscillation control with 110° left-right airflow.



Supports 120-degree manual up-and-down adjustment.

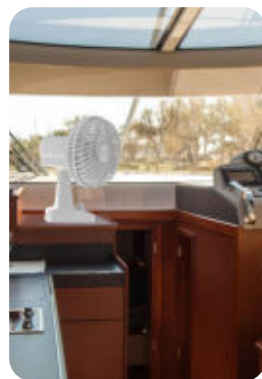


Dual motors operate independently, so the oscillation speed is not affected by the fan blade speed.

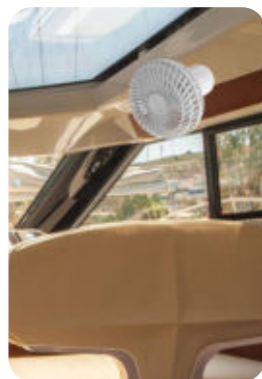


Detachable front grille design allows tool-free removal for easier fan blade cleaning.

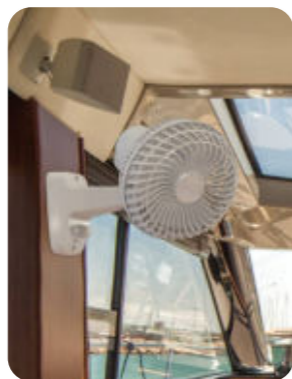
**Multiple installation options**



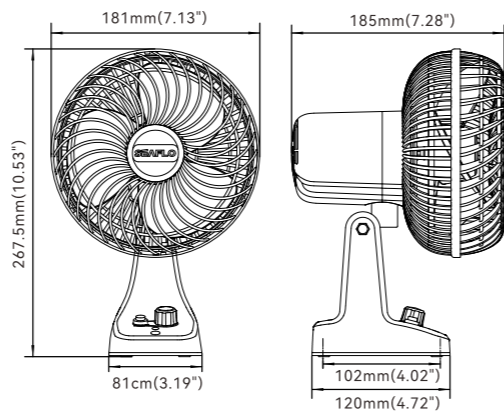
Surface mount



Ceiling mount



Wall mount



Model	Voltage	Amp Draw	Air Velocity	Air Displacement	Fuse Size	Dimension (L x W x H)
SFMF1-01	12V	1.2A	100-300 m/min	64-193 CFM	2A	185 x 181 x 267.5 mm
SFMF2-01	24V	0.6A			1A	(7.28" x 7.13" x 10.53")

**Portable Desk Fan**

**FEATURES & BENEFITS**

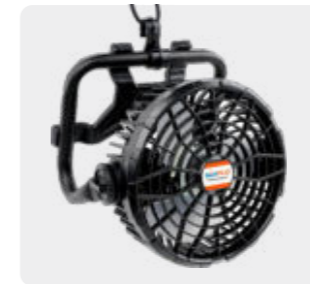
- The product adopts brush motor, lightweight PC blade and super strong wind force
- The shell adopts modified environmental PP, strong pressure resistance, fall resistance, suitable for mobile use
- The product has strong functions, the wind speed adopts stepless speed regulation, arbitrary switch, at the same time there are three LED lights, lighting with the use
- Built-in standard large capacity 18650 battery



Color Box



LED night light  
3 setting to meet your needs



Can be hung for use



360° rotation to rotate into any angle



Built-in 18650mAh rechargeable battery can be used as power bank

Model	Input Voltage	Input Current	Output Power	Battery Model	Led Power	Service Time	Dimension (L*W*H)
SFDF-01	5V-2A	200mah-2000mah	1W-6W	18650	1W-3W	high speed 6 hours, low speed 12hours	8.66" x 6.3" x 8.66" (220 x 160 x 220 mm)

**Turbo Desk Fan**

**FEATURES & BENEFITS**

- Soft three-speed control airflow
- Bladeless and silent design saves energy and electricity
- Manually adjustable 45° angle airflow
- Motor upgraded to work continuously without heating



car cigarette lighter port



Safety and Noiseless



Manually adjustable 45° angle airflow



Color Box



Soft three-speed control airflow



Bladeless and silent design



Manually adjustable 45° angle airflow

Model	Rated Voltage	Power Consumption	Dimension (L*W*H)
SFDF-02	AC110V/60Hz	35W	7.28" x 5.51" x 5.7" (185 x 140 x 145 mm)

## Wireless Charger

### FEATURES & BENEFITS

- ABS material, 15w wireless fast charging
- Removable stand design supports charging your cell phone vertically, horizontally and lying down
- With wireless charging also cell phone stand, free your hands
- The power conversion rate is up to 75% or more
- Built-in smart chip, with over-current protection and temperature protection
- Thoughtful heat dissipation hole design, rapid heat dissipation when wireless charging



Color Box



Model	Input	Output	Charging distance	Charging efficiency	Wireless power supply	Material
SFWC1-01	DC 5V / 2A ; DC 9V / 1.67A	9V / 1.2A(max)	≤ 8mm	≥ 75%	15W	ABS

## Wireless Charging Pad

### FEATURES & BENEFITS

- Built-in high-power charging coil, 20w efficient charging
- Universal wireless charging, suitable for a variety of mobile phones or headphones
- Built-in chip, multiple protection charging without damaging the phone
- Adopts non-slip design
- With a one-meter long type-c or usb connector
- Applicable in many scenarios, such as in the car, yacht and office



Optional USB or TPYE-C port available



Suitable for headphones



Suitable for mobile phones



Color Box



Model	Input	Charging distance	Charging efficiency	Wireless power supply	Dimension (L*W*H)
SFWC1-02	DC 5V / 3A ; DC 9V / 2A	≤ 8mm	≥ 75%	20W	7.1" x 3.7" x 0.6"

## Wine Bottle Chiller

### FEATURES & BENEFITS

- Using Thermo-electric Peltier Module
- No spills or drips with iceless design
- Compact, counter-top design keeps the wine at your fingertips
- The temperature can be adjusted from 6°C to 23°C freely
- Accurate temperature control to ensure the best serving aroma, taste & favor
- Suitable for champagne / wine / beer bottles up to 100mm
- Easy to use, fast cooling and accurate temp. control



Car cigarette lighter port

SFWBC1-01

## Outdoor Camping Shower

### FEATURES & BENEFITS

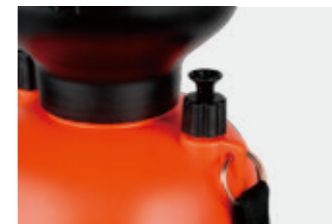
- 8L portable outdoor camping shower
- Safety valve design, self-releasing safety
- Super bowl design for easy filling
- With shoulder strap for carrying
- Thickened base makes the product more stable, not easy to damage
- 7 spray water column modes, freely adjustable: mild spray, flat spray, cone spray, atomized spray, powerful spray, container filling, multi-water column jet
- Multi-functional: outdoor shower, garden watering, vehicle cleaning, fruit washing, etc



Model	Capacity	Tube length	Material
SFOCS1-08-01	8L	1.3m / 4.27ft	PP



Super bowl design for easy filling



Safety valve design, self-releasing safety



Thickened base



7 kinds of water spray mode

## Portable Shower Pump

### FEATURES & BENEFITS

- Provide one 2AH battery and a charging cable
- The bottom of the pump is designed with a suction cup for better fixation
- The battery and shower are equipped with corresponding fixing brackets for free your hands
- The shower head and hose adopt universal quick connection, which is easy to assemble and operate
- Shower comes with water filter to ensure the water is clean and protect the shower head from being clogged



Suction cup design at the bottom



Can be attached to the pipe



Type-c interface design, mobile phone charger can be charged

### Standard Pump Configurations

Model	Flow rate	Operating voltage	Operating Current	Battery capacity	Foldable Bucket
SFPSP5-L010-01	10LPM	3.2~4.2V	2.5~3.5A	2AH	No
SFPSP5-L010-02	10LPM	3.2~4.2V	2.5~3.5A	2AH	Yes



10L Foldable Bucket (Optional)

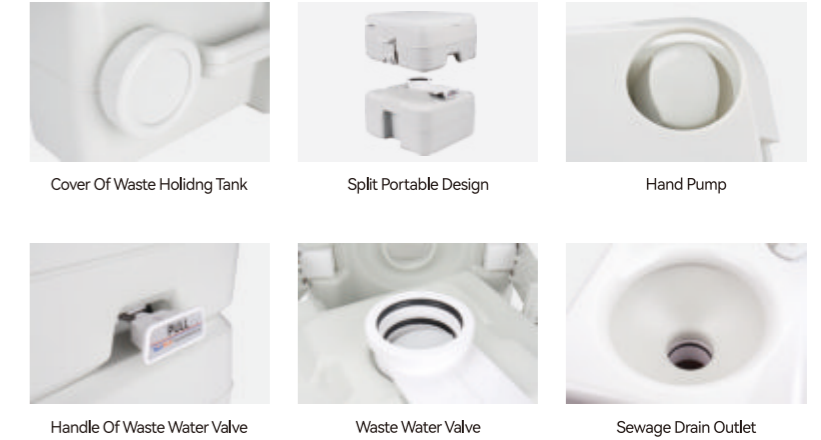


## Portable Toilet

Your Best Choice For Marine, Rv, camping  
Board Room, Medical Care, Children

### FEATURES & BENEFITS

- Light weight and durable
- Brand new and high quality
- Compact design for easy storage and transportation
- Large, comfortable seat, simple to use, easy to maintain
- No external water or power connections required
- Easy to carry, easy to clean



## Multifunctional Portable Toilet 20L

Your best choice for Marine, RV, Camping, Board Room, Medical Care, Pregnant women, Children and The Elderly.

### FEATURES & BENEFITS

- Impact & drop resistant, well-sealed
- Double-layer seal to isolate peculiar smell
- Compact design for easy storage and transportation
- Large, comfortable seat, simple to use, easy to maintain
- Split portable design, easy to carry
- Anti-slip and anti-drop design
- Blow molding process is integrated, durable and leak-proof
- Load-bearing connection lock
- The surface of the material is smooth, easy to wash, safe and environmentally friendly



**Level Indicator**  
Display the level of content in waste tank, avoid overflow protection.



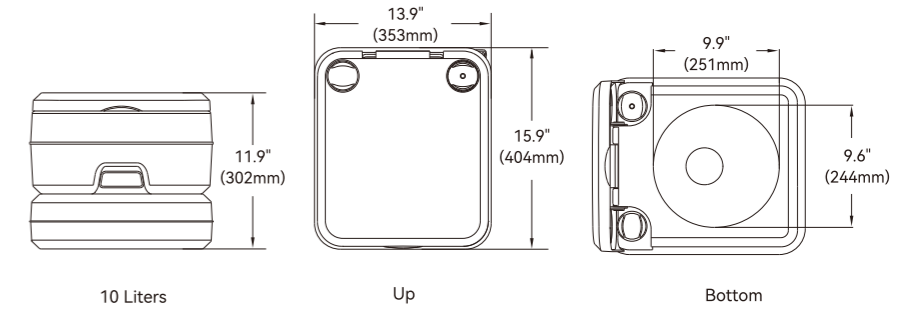
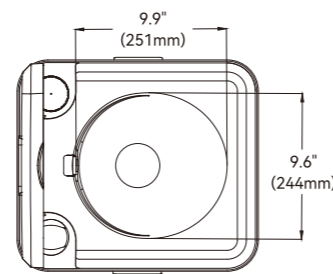
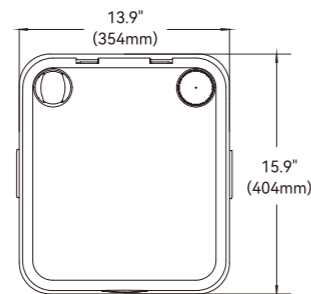
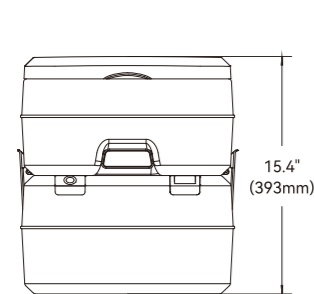
**180° Rotating emptying spout**  
M60mm rotating spout, for hygiene and better experience.



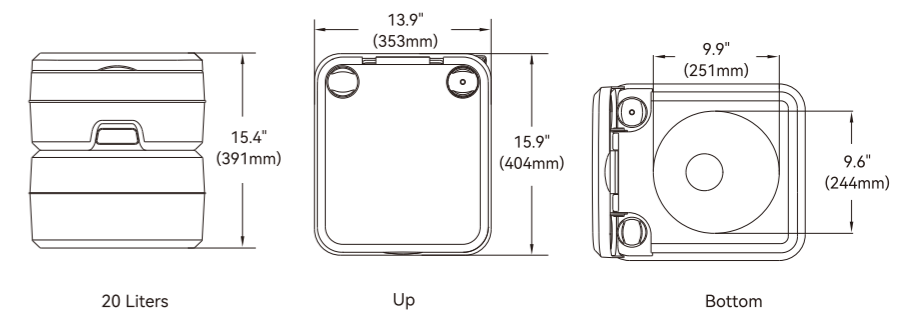
**Air Release Button**  
Press the button to prevent spilling and splashing before use. Decompression valve exhausts to prevent sewage from spraying out.



**T-type flush nozzle and bowl**  
360° vortex scouring. It uses as little as 50ml water to flush the whole bowl and waste tank can be cleaned thoroughly. Ergonomic toilet seat, longer, deeper and more comfortable.



Model	Fresh water tank	Waste holding tank	Dimension(L*W*H)	Color	Material	Package includes
SFPT-10-01	13 L (3.43 Gallon)	10 L (2.64 Gallon)	15.9" x 13.9" x 11.9" 404 x 353 x 302 mm	Grey	PP, PA, HDPE, ABS	1 x Portable Toilet, 1 x Owners' Manual



Model	Fresh water tank	Waste holding tank	Dimension(L*W*H)	Color	Material	Package includes
SFPT-20-01	13 L (3.43 Gallon)	20 L (5.28 Gallon)	15.9" x 13.9" x 15.4" 404 x 353 x 391 mm	Grey	PP, PA, HDPE, ABS	1 x Portable Toilet, 1 x Owners' Manual

Model	Fresh water tank	Waste holding tank	Dimension(L*W*H)	Color	Material	Package includes
SFPT-20-02	13 L (3.43 Gallon)	20 L (5.28 Gallon)	15.9" x 13.9" x 15.4" 404 x 354 x 393 mm	Grey	PP, PA, HDPE, ABS	1 x Portable Toilet, 1 x Owners' Manual



## Premium Portable Travel Toilet 22L

Your best choice for Marine, RV, Camping, Board Room, Medical Care, Pregnant Women, Children and the Elderly.

### FEATURES & BENEFITS

- Sleek, Lightweight and Durable Modern Design
- Fresh Water Tank With Powerful Piston-Flush
- 22L Large Capacity Sewage Tank
- High-Powered Tri-Directional Flush Nozzle
- Slick Anti-Stick Oversized Bowl Allows for Easy Flushing
- Ergonomic Toilet Seat, Longer, Wider, More Comfortable
- Detachable Fully-Sealed Holding Tank With Ergonomic Handle
- Rotating Dumping Elbow Allows for Clean and Distant Dumping
- Air Relief Valve Button - Eliminates Dumping Gurgle and Splash-Back
- Superior Sealed Design Prevents Leaks, Spills and Odors While Transporting
- Removable Seat and Seat Cover For Easy Cleaning
- Anti-slip Pads On The Bottom Bring A More Comfortable Experience



### NEW UPGRADE



**Ergonomic Toilet Seat**  
Longer, wider, more comfortable



**Built-in Storage Bin**  
Holds toilet paper or detergent for easy storage and use



**Powerful Tri-Directional Flush Nozzle**  
360° vortex scouring. It uses as little as 100ml water to flush the whole bowl and waste tank can be cleaned thoroughly

### 15L

Fresh Water Tank can provide up to 150 rinses

### 22L

Waste holding tank No external devices are required



**Flushing Manual Pump**  
Easy to operate



**Water Inlet**  
Rotary switch cover, good sealing



**Air Relief Valve Button**  
Eliminates dumping gurgle and splash-back



**270° Rotating Emptying Spout**  
Rotating spout makes emptying easy and clean



**Level Indicator**  
Displays the water level in the waste tank



**Upgraded Lock Buckle**  
Connects the two tanks firmly together

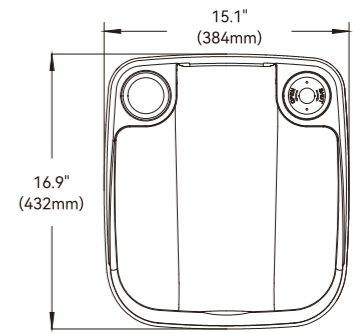
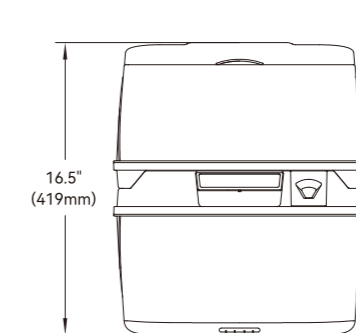
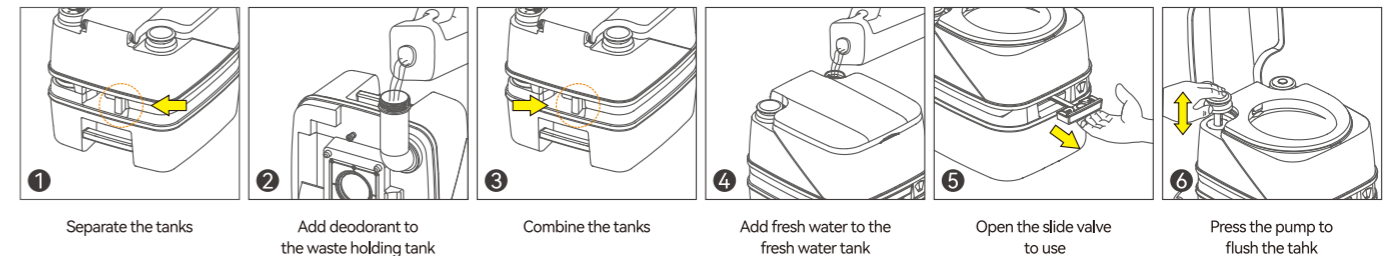


**Double Sealed Slide Valve Pull**  
Superior seals prevent leaks and odor



**Toilet Cover**  
Sturdy toilet lid and seat with increased strength and stability

### INSTRUCTIONS



Model	Fresh water tank	Waste holding tank	Dimension(L*W*H)	Color	Material	Package includes
SFPT-22-03	15 L (4 Gallon)	22 L (5.8 Gallon)	16.9" x 15.1" x 16.5" 432 x 384 x 419 mm	White	PP, PA, POM, ABS	1 x Portable Toilet, 1 x Owners' Manual

## Premium Portable Travel Toilet

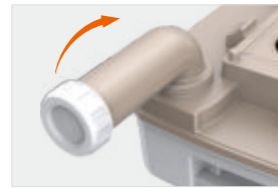
Your best choice for Marine, RV, Camping, Board Room, Medical Care, Pregnant women, Children and The Elderly.

### FEATURES & BENEFITS

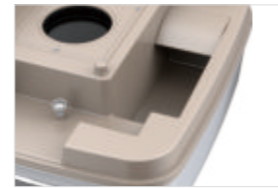
- Powerful Tri-Directional Flush
- Fresh Water Tank with Piston-Flush
- Slick Anti-Stick Oversized Bowl
- Detachable Fully-Sealed Holding Tank
- Rotating Elbow For Clean & Distant Dumping
- Air Relief Button Eliminates Gurgles & Splash Back
- Sealed Design Prevents Leaks, Spills and Odors
- Removable Seat & Cover For Easy Cleaning
- Waste Tank Level Indicator
- Sleek, Lightweight & Durable Modern Design



**Level Indicator**  
Display the level of content in waste tank, avoid overflow protection.



**270° Rotating Emptying Spout**  
M60mm rotating spout, for hygiene and better experience.



**Built-in Storage Bin**  
Can put toilet paper or detergent



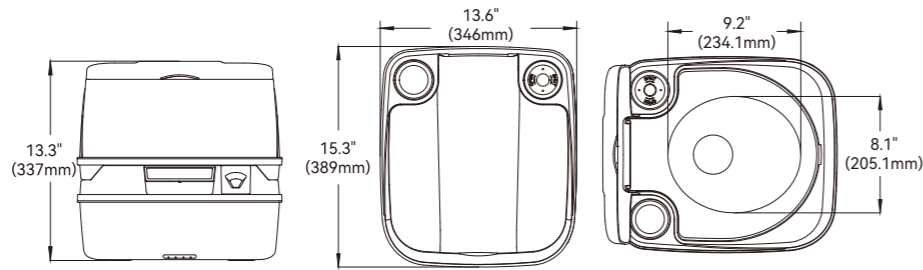
**Air Release Button**  
Press the button to prevent spilling and splashing before use. Decompression valve exhausts to prevent sewage from spraying out.



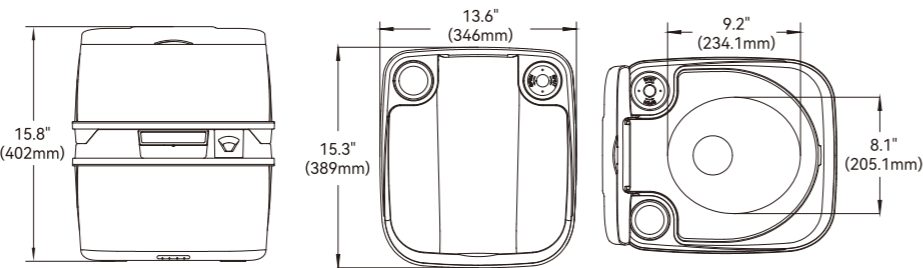
**Powerful Tri-Directional Flush Nozzle**  
360° vortex scouring. It uses as little as 50ml water to flush the whole bowl and waste tank can be cleaned thoroughly. Ergonomic toilet seat, longer, deeper and more comfortable.



**Upgraded Lock Buckle**  
Connect the two tanks firmly together

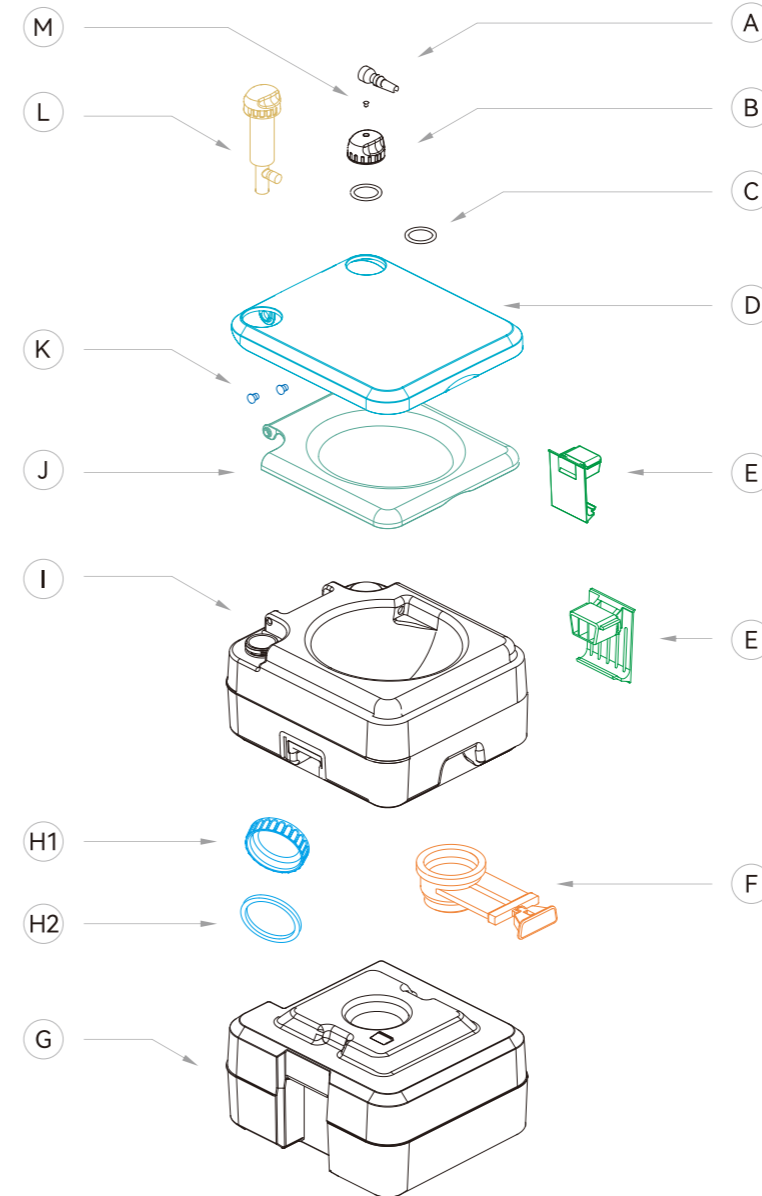


Model	Fresh water tank	Waste holding tank	Dimension(L*W*H)	Color	Material	Package includes
SFPT-12-03	10 L (2.6 Gallon)	12 L (3.2 Gallon)	15.3" x 13.6" x 13.3" 389 x 346 x 337 mm	White	PP, POM, ABS	1 x Portable Toilet, 1 x Owners' Manual



Model	Fresh water tank	Waste holding tank	Dimension(L*W*H)mm	Color	Material	Package includes
SFPT-18-03	10 L (2.6 Gallon)	18 L (4.8 Gallon)	15.3" x 13.6" x 15.8" 389 x 346 x 402 mm	White	PP, POM, ABS	1 x Portable Toilet, 1 x Owners' Manual

## Portable Toilet 01 Series



**D+J+K**  
**SFPTK-01-17**  
Toilet Cover Kit  
For SEAFLO 01/02 Series Portable Toilets



**D+K**  
**SFPTK-01-01**  
Tank Cover  
For SEAFLO 01/02 Series Portable Toilets



**J+K**  
**SFPTK-01-02**  
Seat Cover  
For SEAFLO 01/02 Series Portable Toilets



**F**  
**SFPTK-01-03**  
Drain valve assembly  
For SEAFLO 01/02 Series Portable Toilets



**E**  
**SFPTK-01-04**  
Lock buckle  
For SEAFLO 01/02 Series Portable Toilets



**L**  
**SFPTK-01-05**  
Piston pump assembly  
For SEAFLO 01 Series Portable Toilets

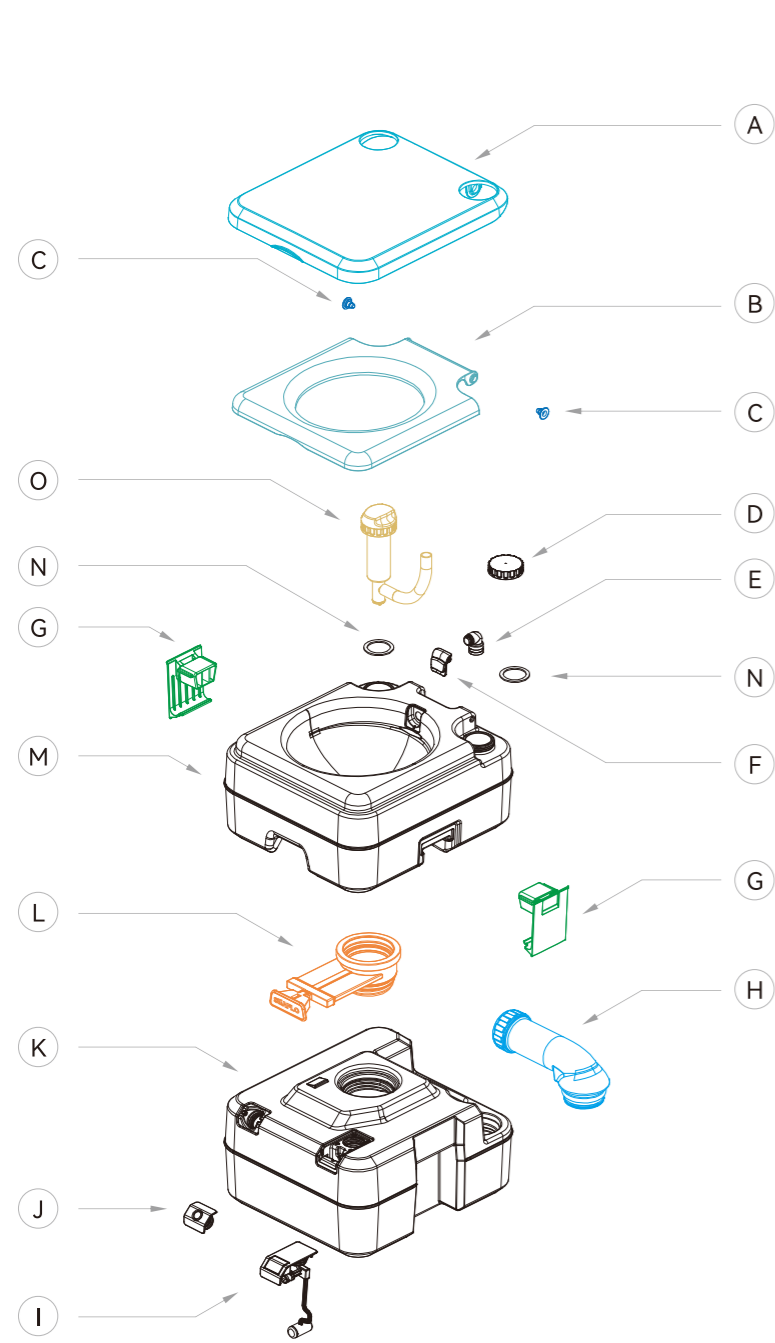


**H1-2**  
**SFPTK-01-06**  
Waste tank cover assembly  
For SEAFLO 01/02 Series Portable Toilets

No.	Part Name	No.	Part Name
A	Outlet	H-1	Gasket
B	Tank cap	H-2	Waste holding tank cover
C	Gasket	I	Fresh water tank
D	Tank cover	J	Seat cover
E	Lock buckle	K	Fixed plug
F	Slide valve	L	Piston pump assy
G	Waste holding tank	M	Core vent assy

SEAFLO toilet service parts are sold in packages.  
The individual paper list is for reference only.

### Portable Toilet 02 Series



No.	Part Name	No.	Part Name
A	Tank cover	I	Observation Window
B	Seat cover	J	Exhaust Stack
C	Fixed plug	K	Waste tank
D	Tank cap	L	Slide valve
E	Piecing	M	Fresh tank
F	Outlet	N	Gasket
G	Lock buckle	O	Piston pump assy
H	Blowdown block		

**A+B+C**  
**SFPTK-01-17**  
Toilet Cover Kit  
For SEAFLO 01/02 Series Portable Toilets

**A+C**  
**SFPTK-01-01**  
Tank Cover  
For SEAFLO 01/02 Series Portable Toilets

**B+C**  
**SFPTK-01-02**  
Seat Cover  
For SEAFLO 01/02 Series Portable Toilets

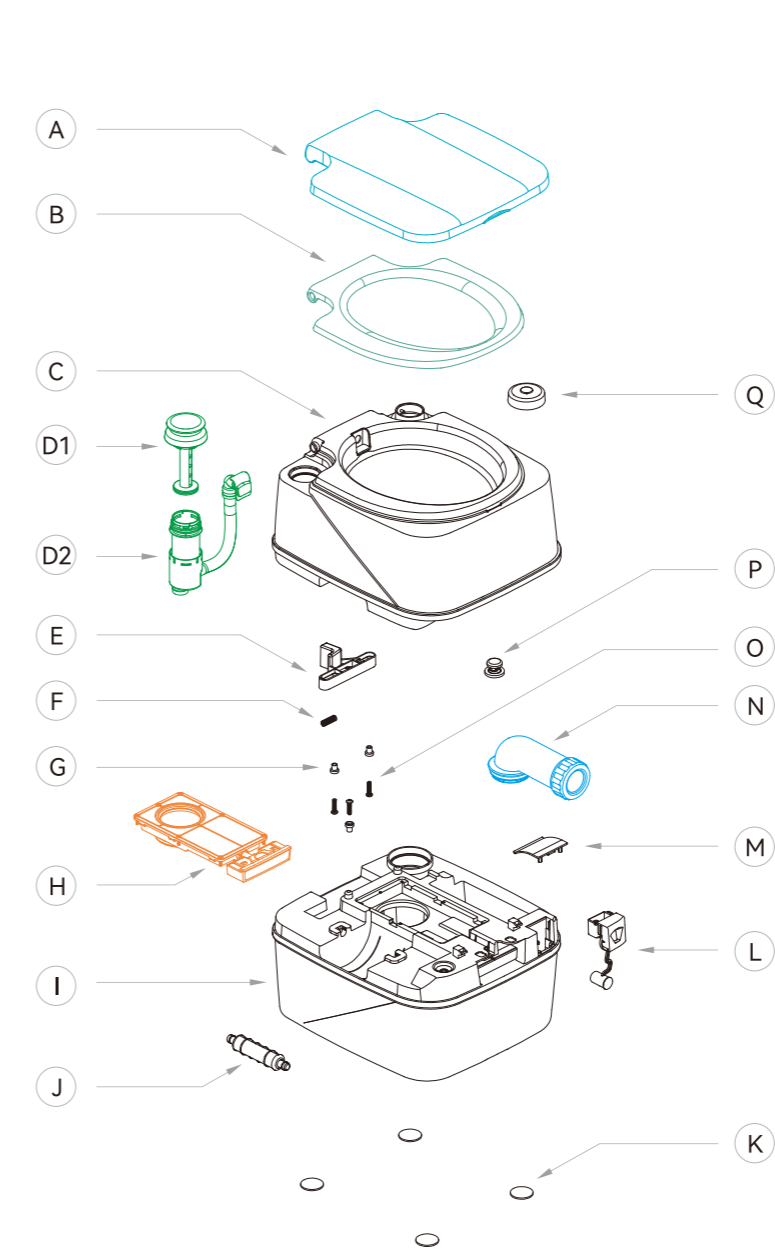
**L**  
**SFPTK-01-03**  
Drain valve assembly  
For SEAFLO 01/02 Series Portable Toilets

**G**  
**SFPTK-01-04**  
Lock buckle  
For SEAFLO 01/02 Series Portable Toilets

**O**  
**SFPTK-02-07**  
Piston pump assembly  
For SEAFLO 02 Series Portable Toilets

**H**  
**SFPTK-02-08**  
Blowdown block assembly  
For SEAFLO 02 Series Portable Toilets

### Portable Toilet 03 Series



No.	Part Name	No.	Part Name
A	Tank Cover	J	Rotating Shaft
B	Seat Cover	K	Non-slip Mat
C	Fresh Tank	L	Observation Window
D	Piston Pump	M	Container Cap
E	Clasp	N	Blowdown Block
F	Spring	O	Screw
G	Fixed Plug	P	Exhaust Stack
H	Slide Valve	Q	Water Fill Cap
I	Waste Tank		

**A+B**  
**SFPTK-03-18**  
Toilet Cover Kit  
For SEAFLO 03 Series Portable Toilets

**A**  
**SFPTK-03-15**  
Tank Cover  
For SEAFLO 03 Series Portable Toilets

**B**  
**SFPTK-03-16**  
Seat Cover  
For SEAFLO 03 Series Portable Toilets

**D1**  
**SFPTK-03-11**  
Hand pump pumping rod assembly  
For SEAFLO 03 Series Portable Toilets

**H**  
**SFPTK-03-13**  
Drain valve assembly  
For SEAFLO 03 Series  
12/18L Portable Toilets

**H**  
**SFPTK-03-14**  
Drain valve assembly  
For SEAFLO 03 Series  
22L Portable Toilets

**N**  
**SFPTK-03-12**  
Blowdown block assembly  
For SEAFLO 03 Series Portable Toilets

SEAFLO toilet service parts are sold in packages.  
The individual paper list is for reference only.

SEAFLO toilet service parts are sold in packages.  
The individual paper list is for reference only.

## Deluxe Flush Electric Toilets-Smart Flushing **PRO**

SEAFLO Deluxe Flush Electric Toilets feature low noise levels, so sleeping guests will not be disturbed when the toilet is used. There are options of either flushing with fresh water from the boat's own supply or with salt, river or lake water from outside the boat. Equipped with a smart toilet seat, rotate the knob to start rear cleaning or feminine cleaning mode. Smart toilet seats provide effective, hygienic bum care while saving you money and protecting the environment.

### FEATURES & BENEFITS

- Equipped with a smart toilet seat, rotate the knob to start rear cleaning or feminine cleaning mode.
- Very quiet flush cycle - like a household toilet
- Low water consumption, Unmatched rinsing capabilities
- Single button flush actuator - with dual function water level control switch
- Designed to be used with fresh and seawater.
- All plumbing and wiring easily concealed
- High capacity waste macerator and bowl discharge pump
- All spare parts can be ordered individually
- Ignition Protection



Smart Flushing Cover and Kit



Electric Flush Pump  
SFMTP1-05 (12V) / SFMTP2-05 (24V)



Fresh Water

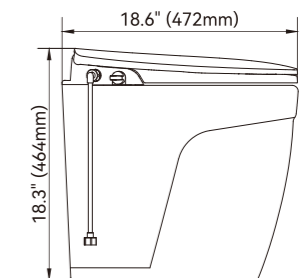
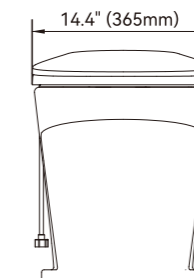
Sea Water



Rotary knob for easy control  
Rotate the knob to start Rear cleaning or Feminine cleaning mode



Extendable antibacterial rinse nozzle  
Adjustable cleaning intensity for a more comfortable cleaning experience



SEAFLO Marine Toilets with both pump & bowl are interchangeable with JABSCO, in 12v and 24v models. Their rugged design provides performance that you can rely on for years.

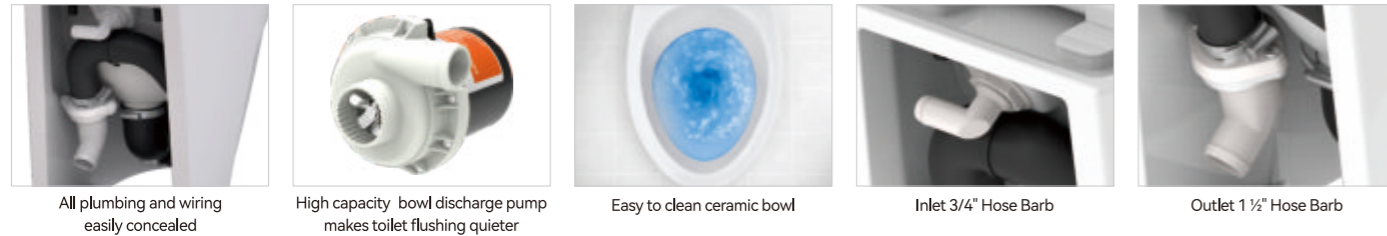
Model	Voltage	Max Draw	Rinse Water Variant	Port	Material	Box Dimension (L*W*H)
SFMTE1-07	12V	20A	Fresh water	Inlet 3/4" Hose Barb Outlet 1 1/2" Hose Barb	Ceramic bowl, soft close seat	18.7" x 14.09" x 17.2" 475 x 358 x 437 mm
SFMTE2-07	24V	10A				
SFMTE1-08	12V	20A	Sea water			
SFMTE2-08	24V	10A				

## Deluxe Flush Electric Toilets **PRO**

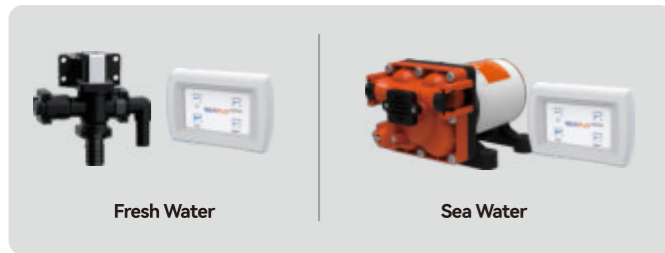
SEAFLO Deluxe Flush Electric Toilets feature low noise levels, so sleeping guests will not be disturbed when the toilet is used. There are options of either flushing with fresh water from the boat's own supply or with salt, river or lake water from outside the boat. All plumbing and wiring easily concealed.

### FEATURES & BENEFITS

- Modern design, clean, sleek look and compliment with different styles
- Very quiet flush cycle - like a household toilet
- Low water consumption, Unmatched rinsing capabilities
- Single button flush actuator - with dual function water level control switch
- Designed to be used with fresh and seawater.
- All plumbing and wiring easily concealed
- High capacity waste macerator and bowl discharge pump
- All spare parts can be ordered individually
- Ignition Protection



All plumbing and wiring easily concealed | High capacity bowl discharge pump makes toilet flushing quieter | Easy to clean ceramic bowl | Inlet 3/4" Hose Barb | Outlet 1 1/2" Hose Barb



Electric Flush Pump SFMTP1-05 (12V) SFMTP2-05 (24V) | SFETH01 | SFETH02



## Deluxe Flush 17" Electric Toilets



Straight Back | Slant Back

Model	Voltage	Max Draw	Rinse Water Variant	Port	Material	Box Dimension (L*W*H)
SFMTE1-05	12V	20A	Fresh water	Inlet 3/4" Hose Barb Outlet 1 1/2" Hose Barb	Ceramic bowl, soft close seat	18.7" x 14.09" x 17.2" 475 x 358 x 437 mm
SFMTE2-05	24V	10A				
SFMTE1-06	12V	20A	Sea water			
SFMTE2-06	24V	10A	Sea water			
SFMTE1-05A	12V	20A	Fresh water			
SFMTE2-05A	24V	10A	Fresh water			
SFMTE1-06A	12V	20A	Sea water	Inlet 3/4" Hose Barb Outlet 1 1/2" Hose Barb	Ceramic bowl, soft close seat	18.7" x 14.09" x 17.2" 475 x 358 x 437 mm
SFMTE2-06A	24V	10A				

## Deluxe Flush 14" Electric Toilets



Straight Back | Slant Back

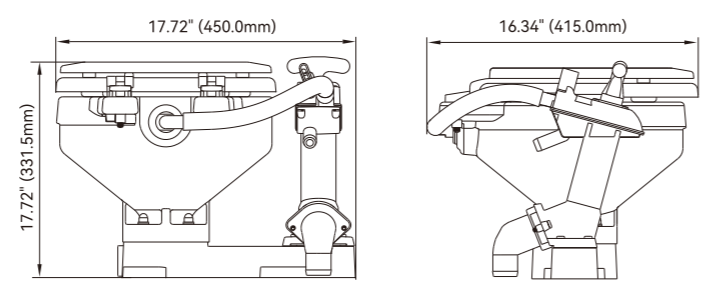
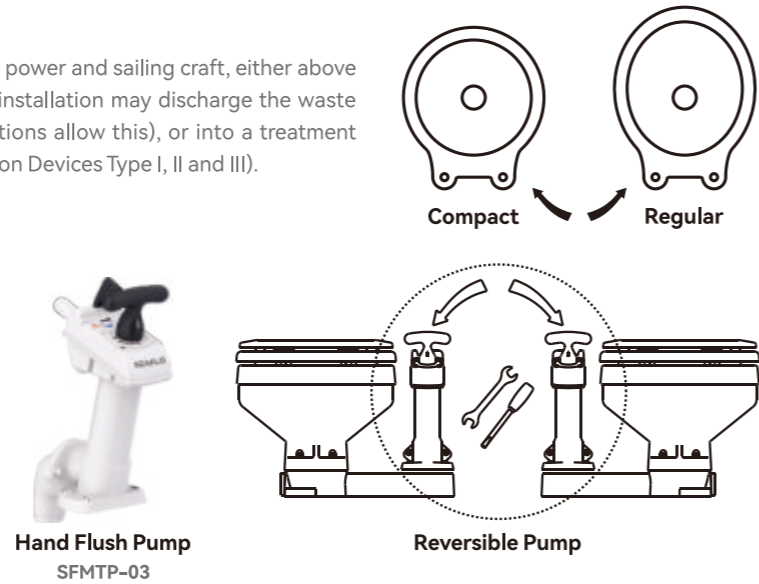
Model	Voltage	Max Draw	Rinse Water Variant	Port	Material	Box Dimension (L*W*H)
SFMTE1-09	12V	20A	Fresh water	Inlet 3/4" Hose Barb Outlet 1 1/2" Hose Barb	Ceramic bowl, soft close seat	18.7" x 14.09" x 14.06" 475 x 358 x 357 mm
SFMTE2-09	24V	10A				
SFMTE1-10	12V	20A	Sea water			
SFMTE2-10	24V	10A	Sea water			
SFMTE1-09A	12V	20A	Fresh water			
SFMTE2-09A	24V	10A	Fresh water			
SFMTE1-10A	12V	20A	Sea water	Inlet 3/4" Hose Barb Outlet 1 1/2" Hose Barb	Ceramic bowl, soft close seat	18.7" x 14.09" x 14.06" 475 x 358 x 357 mm
SFMTE2-10A	24V	10A				

## Manually Operated Marine Toilet

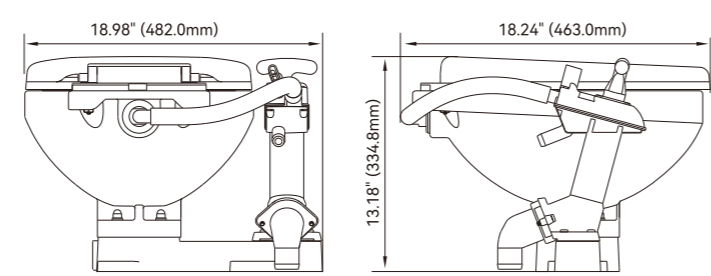
SEAFLO Manually Operated Marine Toilet can be installed in both power and sailing craft, either above or below the waterline, for use on sea, river, lake or canal. Your installation may discharge the waste either overboard (provided that your national and local regulations allow this), or into a treatment system or into an on-board holding tank (U.S.C.G. Marine Sanitation Devices Type I, II and III).

### FEATURES & BENEFITS

- Baked enamel seat & cover in compact or regular size
- Twist "n" Lock handle eliminates leaks
- Can be reassembled with the pump on the right or left side
- Powerful self-priming pump for above or below waterline installation
- Crevice free contours and smooth mouldings for added hygiene
- Automatic vacuum breaker for easier pumping
- Angled pump housing and long stroke for ease of installation
- Wood seat with baked enamel finish for compact type only
- Soft close seat for regular type only



Model	Color	Diameter	Size	Type	Material
SFMTM-01	White	3/4" Inlet 1 1/2" Discharge	Compact	Manual Piston	Ceramic bowl, wood seat with baked enamel finish



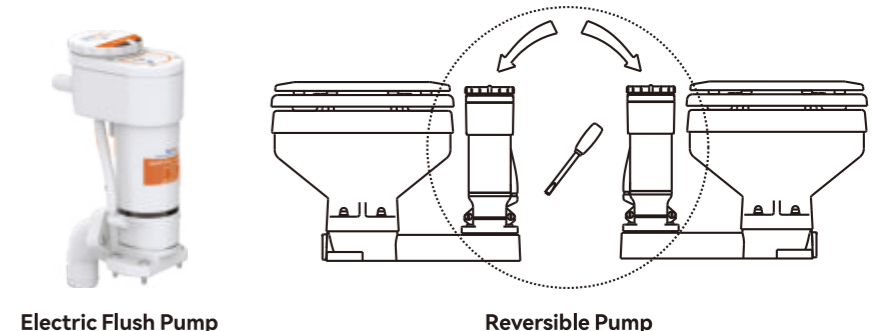
Model	Color	Diameter	Size	Type	Material
SFMTM-01-R	White	3/4" Inlet 1 1/2" Discharge	Regular	Manual Piston	Ceramic bowl, Soft close seat

## Electric Conversion Marine Toilet

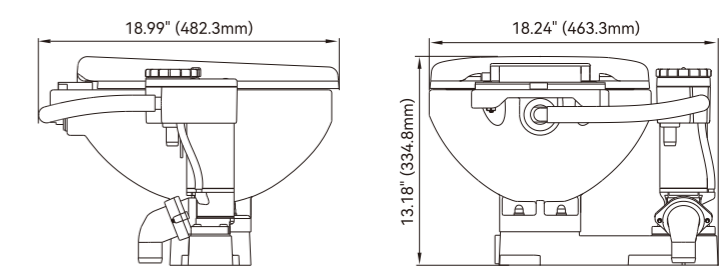
The Electric flush pump provides the convenience of an electric head without having to modify the platform or replace the head. The self-priming pump rinses the bowl while the waste pump macerates and evacuates the waste. Add the luxury of an electric head without the costly replacement and hassle by converting your existing toilet with an electric flush kit.

### FEATURES & BENEFITS

- Converts manual head to electric operation
- Simple to operate
- Suitable for use in above or below waterline installations
- Built-in macerator with stainless steel chopper plate
- Left and right-handed installations
- Wood seat with baked enamel finish for compact type only
- Soft close seat for regular type only



**Electric Flush Pump**  
SFMTPE1-02 (12 V) / SFMTPE2-02 (24 V)



Model	Color	Features	Max Draw	Diameter	Size	Type	Material
SFMTE1-02-R	White	Built In Macerator	20 A	3/4" Inlet 1 1/2" Discharge	Regular	12 Volt Electric Impeller	Ceramic bowl, Soft close seat
SFMTE2-02-R	White	Built In Macerator	10 A	3/4" Inlet 1 1/2" Discharge	Regular	24 Volt Electric Impeller	Ceramic bowl, Soft close seat

## Electric Marine Toilet

A dual-function pump eliminates the need for hand pumps and dry-bowl valves. With the push of a button, the self-priming flush pump rinses the bowl as the Macerator and high-capacity scavenger pump grind up waste and pump it out. Includes a heavy-duty push button and 1" discharge hose adapter. Easy-to-clean ceramic bowl.

### FEATURES & BENEFITS

- Convenient push-button flush.
- Easy-to-clean ceramic bowl.
- Flexible impeller flush pump.
- Permanent magnet type motor, fully enclosed, with stainless steel shaft.
- Built-in back flow preventer.
- All corrosion resistant material for marine use.
- Wood seat with baked enamel finish for compact type only.
- Soft close seat for regular type only.



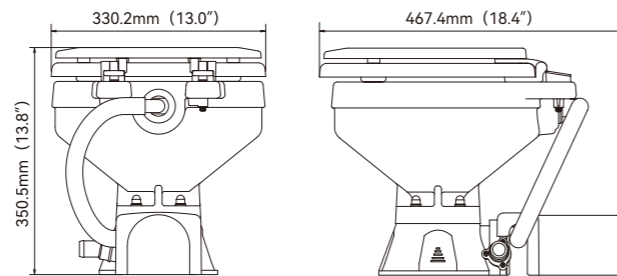
**Electric Flush Pump**  
SFMTP1-01 (12 V) / SFMTP2-01 (24 V)

**Color Box**



Switch Panel

**Compact**

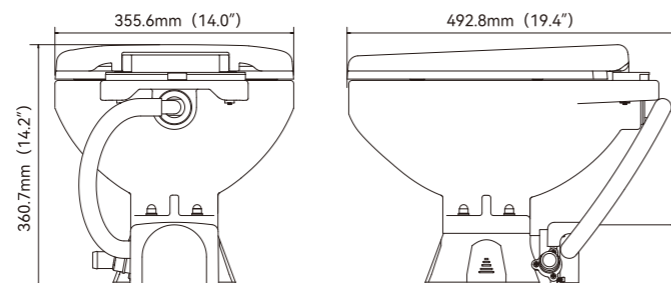


Model	Color	Features	Voltage	Max Draw	Diameter	Size	Type	Material
SFMTE1-01	White	Built In Macerator	12 V	20 A	3/4" Inlet 1" Discharge	Household	Electric Impeller	Ceramic bowl, wood seat with baked enamel finish
SFMTE2-01	White	Built In Macerator	24 V	10 A	3/4" Inlet 1" Discharge	Household	Electric Impeller	Ceramic bowl, wood seat with baked enamel finish



Switch Panel

**Regular**



Model	Color	Features	Voltage	Max Draw	Diameter	Size	Type	Material
SFMTE1-01-R	White	Built In Macerator	12 V	20 A	3/4" Inlet 1" Discharge	Household	Electric Impeller	Ceramic bowl, soft close seat
SFMTE2-01-R	White	Built In Macerator	24 V	10 A	3/4" Inlet 1" Discharge	Household	Electric Impeller	Ceramic bowl, soft close seat

## Quiet Flush Electric Toilet

Designed to radically reduce noise levels, Quiet Flush Toilets make life onboard more comfortable for all crew members, even those sleeping! Can be connected to the vessel's existing pressurized water system for flushing with fresh water. Very quiet flush cycle, one-touch button to solve your sewage troubles.

### FEATURES & BENEFITS

- Can be plumbed to any pressurized water system that can provide a 3-1/2 GPM (13.5 LPM) flow rate
- Water control solenoid valve with anti-siphon breaker to prevent contamination of potable water supply
- Supplied with SEAFLO seawater rinse pump to provide sea water or lake water to rinse the toilet bowl
- Very quiet flush cycle - like a household toilet
- Single button flush actuator - with dual function water level control switch
- White vitreous china bowl available in compact or comfortable household size
- Built in upgraded macerator pump makes flushing quieter
- All spare parts can be ordered individually
- All corrosion resistant material for marine use



**Color Box**



**Fresh Water**

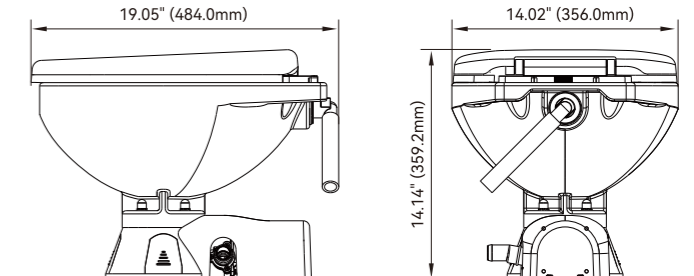
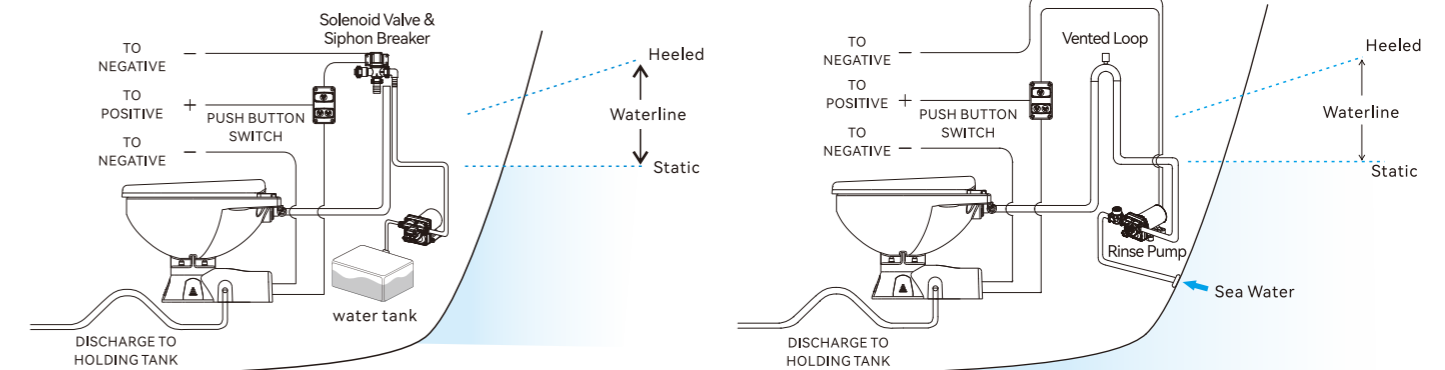
**Sea Water**



**Electric Flush Pump**  
SFMTP1-04 (12 V)  
SFMTP2-04 (24 V)

**Bowl Can Be Rotated 90°  
For Mounting In Confined Spaces**

**Soft Close Seat Regular Only**



Model	Voltage	Max Draw	Rinse Water Variant	Port	Size	Material	Dimension(L*W*H)
SFMTE1-03-R	12V	16A	Fresh water	Inlet 3/4" Hose Barb Outlet 1" Hose Barb	Regular	Ceramic bowl, soft close seat	18.50" x 14.01" x 13.97" 470 x 356 x 355 mm
SFMTE2-03-R	24V	8A					
SFMTE1-04-R	12V	16A	Sea water	Inlet 3/4" Hose Barb Outlet 1" Hose Barb	Regular	Ceramic bowl, soft close seat	18.50" x 14.01" x 13.97" 470 x 356 x 355 mm
SFMTE2-04-R	24V	8A					

## Manually Operated Marine Toilet Pump

### FEATURES & BENEFITS

- Directly replaces electric pump assembly
- Easy to install
- Simple to operate
- Fits both SEAFLO manual and electric toilet
- Suitable for use in above or below waterline installations



Model	Control Type	Diameter	Dimension
SFMTMP-03	Twist 'n' Lock	3/4" Inlet 1-1/2" Discharge	11.8" x 7.5" x 4.7"

## Electric Conversion for Manual Toilets

### FEATURES & BENEFITS

- Directly replaces manual pump assembly
- Easy to install
- Simple to operate
- Dual action control allows water level to be varied
- Fits both SEAFLO manual and electric toilet
- Suitable for use in above or below waterline installations
- Built-in macerator with stainless steel chopper plate
- Self priming up to 0.6m (2ft)



Model	SFMTMP1-02	SFMTMP2-02
Voltage	12 V	24 V
Draw	20 A	10 A
Open Flow	5.0 GPM/18.9 LPM	
Dimension	11.8" x 7.5" x 4.7"	
Diameter	3/4" Inlet 1-1/2" Discharge	

## Deluxe Electric Toilet Flush Pump

### FEATURES & BENEFITS

- Standard accessory for Deluxe Electric Marine Toilet
- Makes the toilet flushing more quiet
- High Capacity Macerator and Bowl Scavenger Pump
- Fully Enclosed, with Stainless Steel Shaft
- Simply Operate by Pushing Button Switch
- Flexible Impeller Flush Pump
- All Corrosion Resistant Materials for Marine Use



Model	SFMTMP1-05	SFMTMP2-05
Voltage	12 V	24 V
Open Flow	53 GPM	200 LPM
AMPS	20 A	10 A
Fuse	25 A	15 A
Impeller	PA6+GF30%	

## Flush Pump for Marine Toilet

### FEATURES & BENEFITS

- High capacity macerator and bowl scavenger pump
- Flexible impeller flush pump
- Fully enclosed, with stainless steel shaft
- Simply operate by pushing button switch
- All corrosion resistant materials for marine use



Model	SFMTMP1-01	SFMTMP2-01
Voltage	12 V	24 V
Draw	20 A	10 A
Open Flow	5.0 GPM/18.9 LPM	
Dimension	9.1" x 5.5" x 4.7"	
Impeller	stainless steel	
Ports	0.78"	

## Quiet Electric Toilet Flush Pump

### FEATURES & BENEFITS

- Makes the toilet flushing more quiet
- High Capacity Macerator and Bowl Scavenger Pump
- Fully Enclosed, with Stainless Steel Shaft
- Simply Operate by Pushing Button Switch
- Flexible Impeller Flush Pump
- All Corrosion Resistant Materials for Marine Use



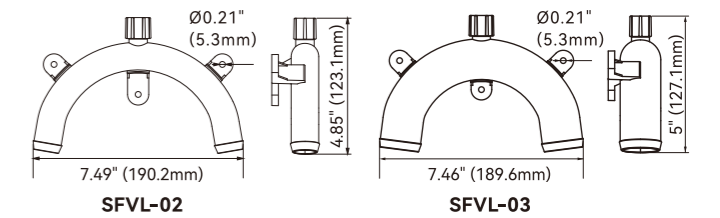
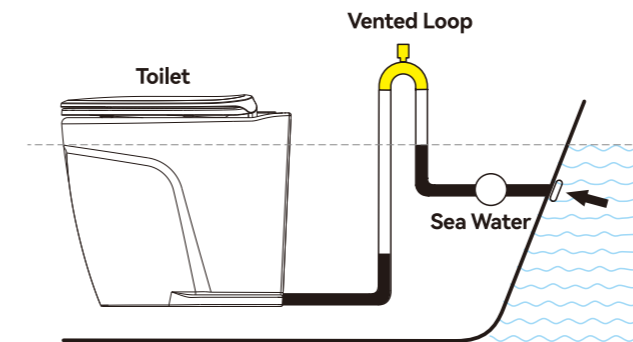
Model	SFMTMP1-04	SFMTMP2-04
Voltage	12 V	24 V
Draw	16 A	8 A
Open Flow	25 GPM/95 LPM	
Impeller	PPS+40%GF	
Ports	1"	

## Vented Loops

An essential safety component on all inlet and discharge plumbing of toilets installed below the static or heeled waterline.

### FEATURES & BENEFITS

- ensures water cannot siphon over plumbing loops
- Internal valve avoids need for external venting
- Molded in tough, corrosion-proof plastic
- Available in three sizes for 1-1/2" (38mm), 1" (25mm) and 3/4" (19mm) hose



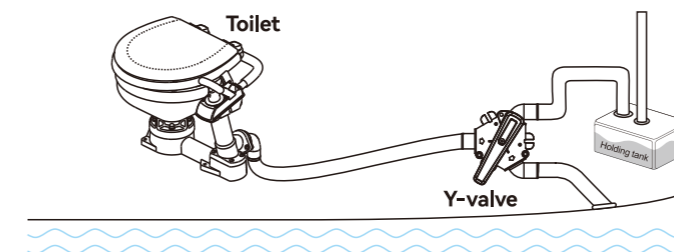
Model	Fitting
SFVL-01	3/4" (19mm)
SFVL-02	1" (25mm)
SFVL-03	1-1/2" (38mm)

## Y-valve

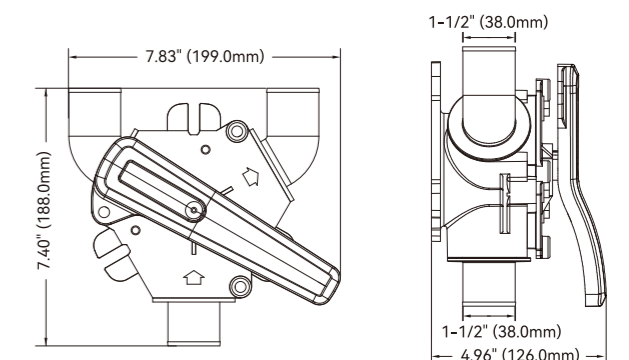
Robust Y-Valve for use in toilet applications. Allows waste to be pumped overboard or into a holding tank.

### FEATURES & BENEFITS

- Allows waste to be pumped directly into holding tank or diverted to another discharge
- Ergonomically designed rotating port and handle
- Connections for two 1-1/2" (38mm) ports and 1" (25mm) inlet port
- Features a waste and corrosion resistant construction



Model	Inlet	Outlet
SFYV-01	1" (25mm) or 1-1/2" (38mm)	1-1/2" (38mm)



## Solenoid Valve & Siphon Breaker

### FEATURES & BENEFITS

SEAFLO solenoid valve and syphon breaker assembly for connection to any existing pressurised water system capable of delivering 2.9gpm (11lpm) or more.  
The syphon breaker ensures that there is no backflow from the toilet into the water system.

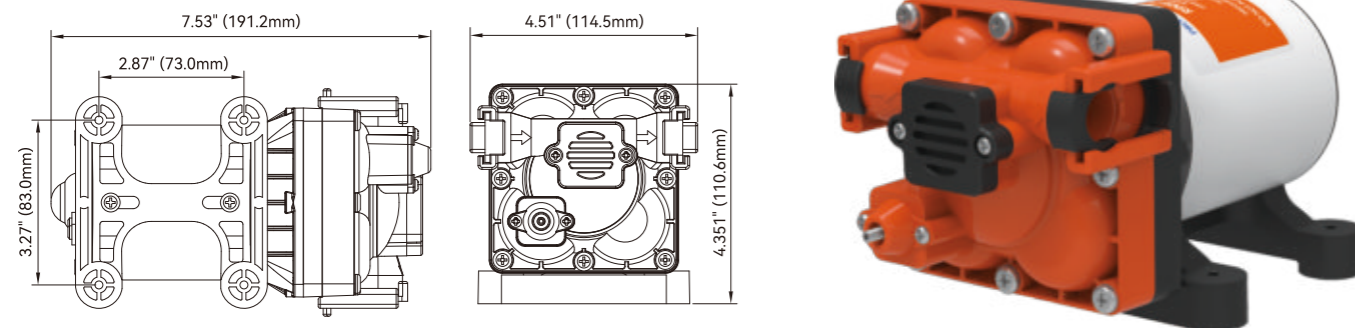


Model	Voltage	Power	Pressure
SFSV1-01	12V	9W	1-150 PSI
SFSV2-01	24V	9W	3-150 PSI

## Rinse Pump For Marine Toilets

### FEATURES & BENEFITS

It is the standard spare part of SEAFLO quiet flush electric toilet - flushing pump  
Self priming, strong suction, suction lift up to 1.8m  
Run dry safe, max flow can reach 4.0gpm/15.0lpm  
Multiple sizes of quick-connect fittings and filters are available for easy connection to any outlet  
Quiet operation, bypass technology reduces cycling and reduces noise  
Semi-rigid rubber feet for noise reduction from vibration



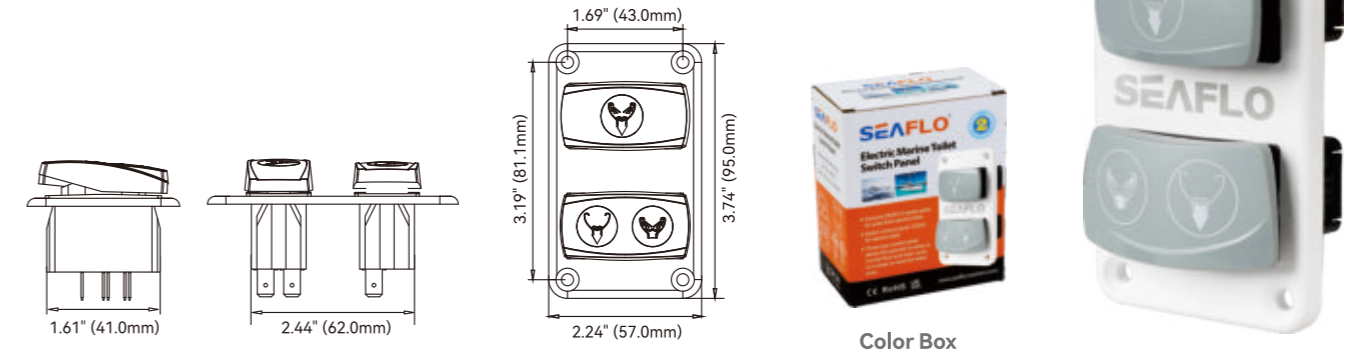
### Standard Pump Configurations

Model	Voltage	GPM/LPM	PSI/BAR	Max Draw
SFDP1-040-050-43T	12V	4.0/15.0	50/3.45	13A
SFDP2-040-050-43T	24V	4.0/15.0	50/3.45	7A

## Switch Panel

### FEATURES & BENEFITS

Genuine SEAFLO spare parts for quiet flush electric toilet.  
Switch control panel 12/24V for electric toilet.  
Three-way control panel allows the operator to select a normal flush and drain cycle, or to lower or raise the water level.



Model	Voltage	Fuse	Dimension
SFSP-015-03	12 V & 24 V	15 A	3.74" x 2.24" (95 x 57 mm)

## Smart Switch Panel For Quiet Flush Toilets

A new multifunctional "one touch" control pad for marine toilet, One-button control of toilet flush cycle.

### FEATURES & BENEFITS

Specifically for the Deluxe Flush Marine Toilets  
It can be used with the Deluxe Flush and Quiet Flush marine Toilets  
4 smart touch controls, 4-way flush control pannel  
Features 4 smart touch controls: "Fill", "Quick Flush", "Flush" and "Empty"  
DC 12v or 24v available



Model	Voltage	Amp Draw	Fuse/Breaker	Wire Gauge Size
SFSP-015-04	12V/24V DC	20A at 12V or 10A at 24V	25 amp at 12V or 15amp at 24V	14 AWG

### Toilet Cover Kit (Regular)

**SFMTK-01-02**

- For SEAFLO marine toilet (regular)
- Soft-close seat
- Lightweight and durable
- Easy to disassemble and install
- Easy to clean



### Toilet Cover Kit (Compact)

**SFMTK-01-03**

- For SEAFLO marine toilet (compact)
- Soft-close seat
- Lightweight and durable
- Easy to disassemble and install
- Easy to clean



### Shaped Sewage Pipe Assembly

**SFETH01**

- For SEAFLO deluxe flush marine toilets
- Sealed and odor-sealing
- Leak-proof and corrosion-resistant
- Durable and long-lasting



### L-shaped Sewage Pipe Assembly

**SFETH02**

- For SEAFLO deluxe flush marine toilets
- Sealed and odor-sealing
- Leak-proof and corrosion-resistant
- Durable and long-lasting



### Water Inlet Assembly

**SFMTK-01-04**

- For SEAFLO manually operated and electric conversion marine toilets
- Sealed and leak-proof
- Leak-proof design
- Sturdy and durable
- Easy to install and maintain



### Water Outlet Assembly

**SFMTK-01-05**

- For SEAFLO manually operated and electric conversion marine toilets
- Sealed and leak-proof
- Prevent backflow
- Sturdy and durable
- Easy to install and maintain



### Drain Check Valve

**SFMTK-02-10**

- For SEAFLO electric marine toilets and quiet electric marine toilets
- Prevent backflow
- Strong sealing performance
- Corrosion-resistant
- Built to withstand everyday use



### Toilet Base Rubber Seal

**SFMTK-02-11**

- For SEAFLO electric marine toilets and quiet electric marine toilets
- Seal-proof and leak-resistant
- Wear-resistant and oxidation-resistant
- Shock-absorbing and quiet
- High-quality material



### Base Valve Gasket

**SFMTK-01-06**

- For SEAFLO manually operated marine toilets
- High-quality material
- Corrosion-resistant
- Built to withstand everyday use



### Base Valve Gasket

**SFMTK-02-07**

- For SEAFLO electric conversion marine toilets
- High-quality material
- Corrosion-resistant
- Built to withstand everyday use



### Toilet Base Side Cover

**SFMTK-02-12**

- For SEAFLO electric marine toilets and quiet electric marine toilets
- Easy to install and maintain



### Toilet Base kit

**SFMTK-01-01**

- For SEAFLO manually operated and electric conversion marine toilets
- Leak-proof and stable
- Durable structure
- Strong load-bearing capacity
- Corrosion-resistant



### Toilet Base

**SFMTK-02-08**

- For SEAFLO electric marine toilets and quiet electric marine toilets
- Leak-proof and stable
- Sturdy and durable
- Strong load-bearing capacity
- Corrosion-resistant



### Sewage Elbow

**SFMTK-02-09**

- For SEAFLO electric marine toilets and quiet electric marine toilets
- Sealed and leak-proof
- Sturdy structure
- Corrosion-resistant
- Durable and long-lasting



### Sewage Elbow Assembly

**SFMTK-05-14**

- For SEAFLO deluxe flush marine toilets
- Durable structure
- Corrosion-resistant
- Sealed and leak-proof
- Easy to install and maintain



### Water Inlet Assembly

**SFMTK-05-15**

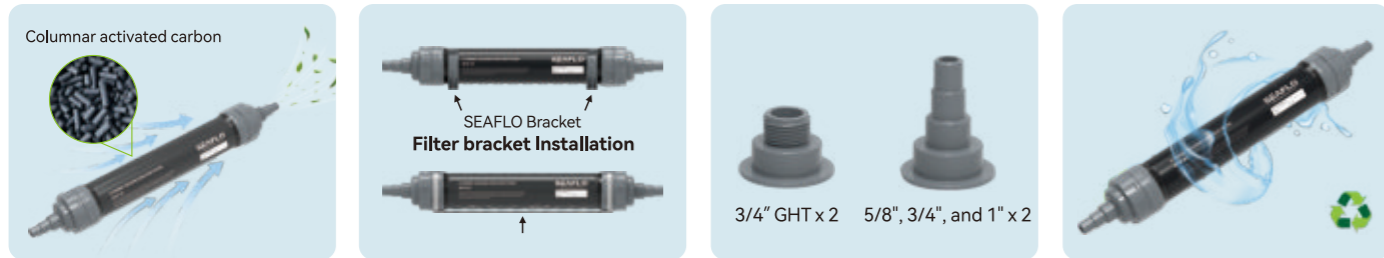
- For SEAFLO deluxe flush marine toilets
- Sealed and leak-proof
- Durable structure
- High-quality material
- Easy to install and maintain



## Holding Tank Vent Filter 01 Series

### FEATURES & BENEFITS

- Uses high-quality columnar activated carbon (iodine value 1000)
- Long-lasting performance – up to 12 months filter life
- Easy installation and quick replacement
- Compatible with 5/8", 3/4", 1" ID hoses, and 3/4" GHT connections
- Earth-friendly, recyclable plastic components
- Compact and lightweight design for easy handling

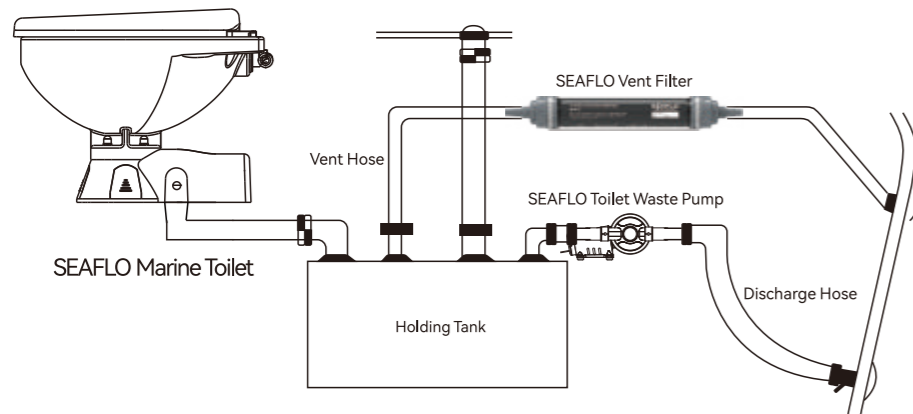
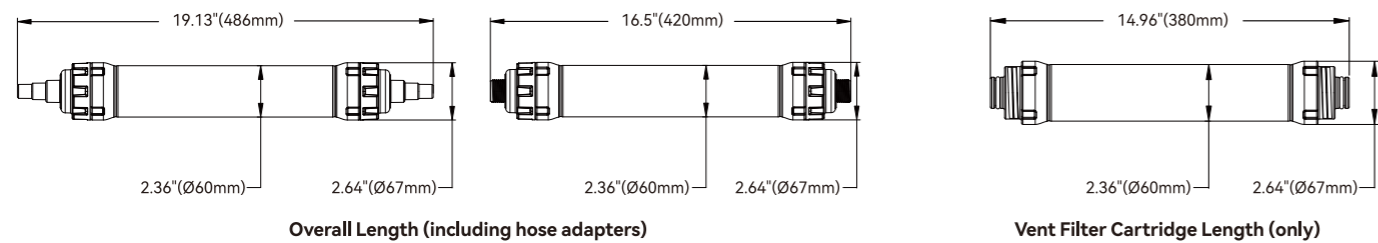


Activated Carbon Technology for maximum odor control  
12 months filter life  
(vs. 3-6 months for cheap filters)

Fits most mainstream marine brackets

Compatible with 5/8", 3/4", 1" ID hoses, and 3/4" GHT connections

Earth-friendly, recyclable plastic components



Model	Description	Adapter Fitting Sizes
SFVF-01K	Vent filter cartridge, end pieces, mounting brackets, hose adapters, and screws	5/8" (16mm), 3/4" (19mm), 1" (25mm), 3/4" GHT
SFVF-01	Vent filter cartridge only	

## Holding Tank Vent Filter 02/03 Series

### FEATURES & BENEFITS

- Integrated all-in-one design with dual fixed brackets
- Uses high-quality columnar activated carbon
- Multi-size ports, compatible with 5/8", 3/4", and 1" ID hoses
- Earth-friendly, recyclable plastic components
- Easy installation

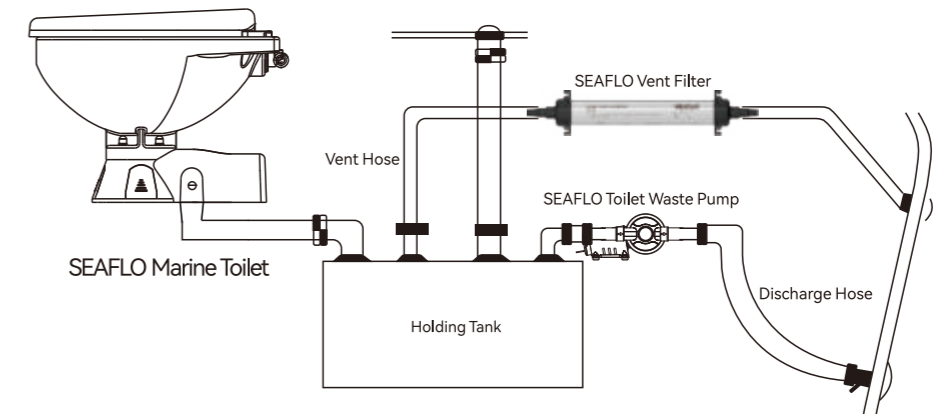
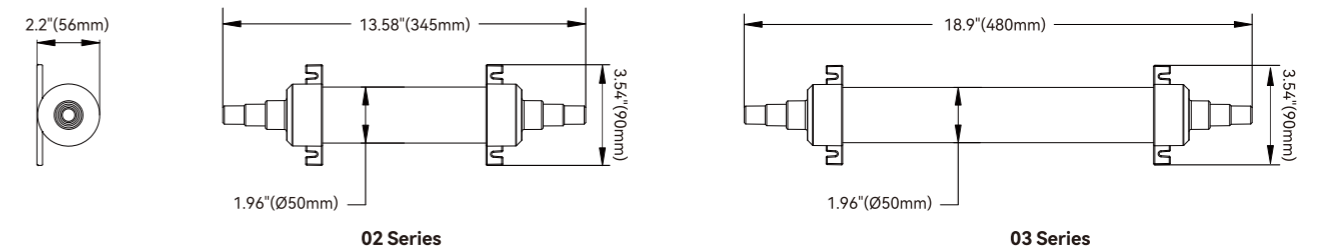


Uses high-quality columnar activated carbon (iodine value 1000) with up to 12-month lifespan

Integrated all-in-one design with dual fixed brackets, easy installation, and great value

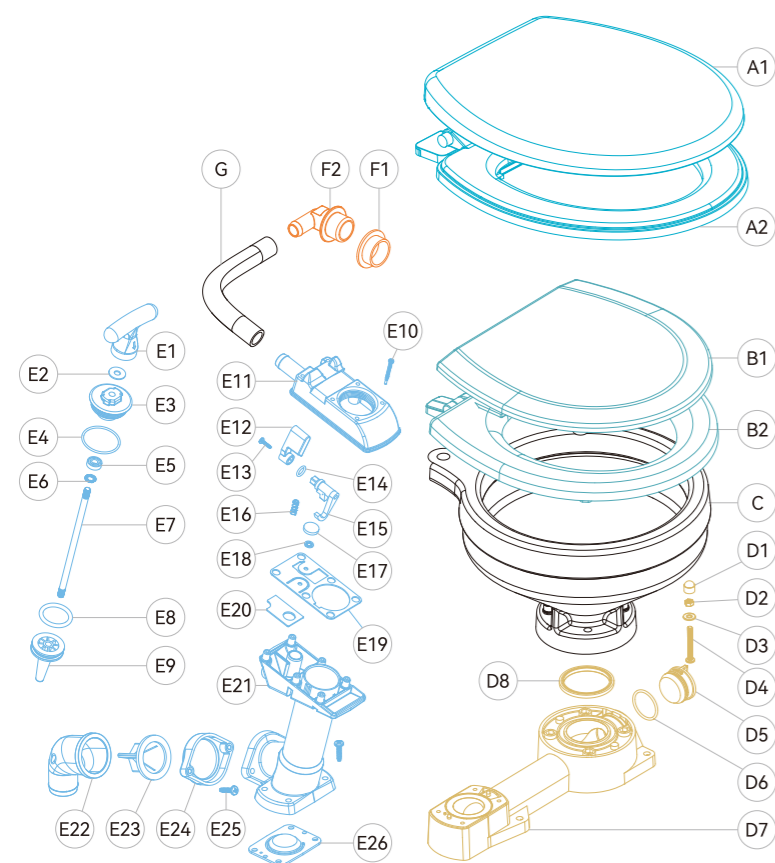
Multi-size ports, compatible with 5/8", 3/4", and 1" ID hoses

Earth-friendly, recyclable plastic components



Model	Description	Port Sizes	Dimension
SFVF-02	Holding tank vent filter, end caps, screws	5/8" (16mm), 3/4" (19mm), 1" (25mm)	13.58" x 3.54" x 2.2" (345 x 90 x 56 mm)
SFVF-03			18.9" x 3.54" x 2.2" (480 x 90 x 56 mm)

## Manually Operated Marine Toilet

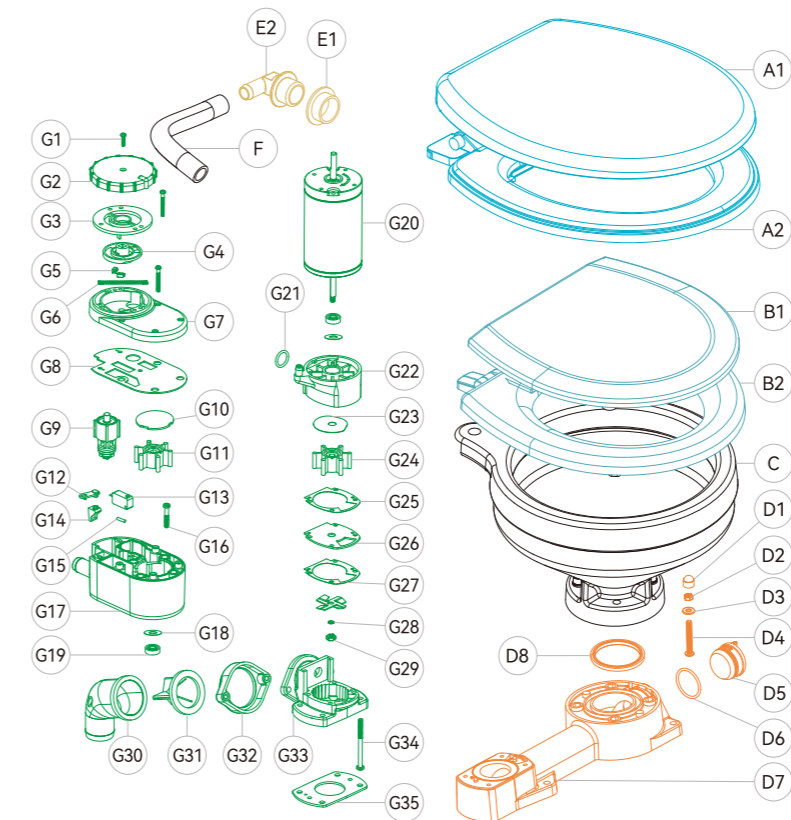


No.	Part Name	No.	Part Name
A1-A2	Toilet Cover Kit (Regular)	E10	Screw
B1-B2	Toilet Cover Kit (Compact)	E11	Manual Pump Cover
C	Ceramic Bowl	E12	Control Handle
D1	Plastic Nut	E13	Screw
D2	M6 Nut	E14	Cam O-ring
D3	Stainless Steel Washer	E15	Cam
D4	Screw	E16	Spring
D5	Plug	E17	Copper Valve Block
D6	Plug O-ring	E18	Internal Tooth Washer
D7	Toilet Base	E19	Valve Seat Gasket
D8	Toilet Base Rubber Seal	E20	Upper Valve Seat
E1	Handle	E21	Manual Pump Body
E2	Shaft Seal Gasket	E22	Sewage Elbow
E3	Screw Cap	E23	Drain Check Valve
E4	Screw Cap O-ring	E24	Discharge Flange
E5	Oil Seal	E25	Screw
E6	Spring	E26	Base Valve Gasket
E7	Piston Rod	F1	Special-shaped Washer
E8	Piston O-ring	F2	Inlet Elbow
E9	Piston	G	Hose

- A1-2**  
**SFMTK-01-02**  
Toilet Cover Kit (Regular)  
For SEAFLO marine toilet (regular)
- B1-2**  
**SFMTK-01-03**  
Toilet Cover Kit (Compact)  
For SEAFLO marine toilet (compact)
- D1-8**  
**SFMTK-01-01**  
Toilet Base kit  
For SEAFLO manually operated and electric conversion marine toilets
- E1-26**  
**SFMTMP-03**  
Manually Operated Marine Toilet Pump  
For SEAFLO manually operated and electric conversion marine toilets
- E22-25**  
**SFMTK-01-05**  
Water Outlet Assembly  
For SEAFLO manually operated and electric conversion marine toilets
- E26**  
**SFMTK-01-06**  
Base Valve Gasket  
For SEAFLO manually operated marine toilets
- F1-2**  
**SFMTK-01-04**  
Water Inlet Assembly  
For SEAFLO manually operated and electric conversion marine toilets

SEAFLO toilet service parts are sold in packages. The individual paper list is for reference only.

## Electric Conversion Marine Toilet

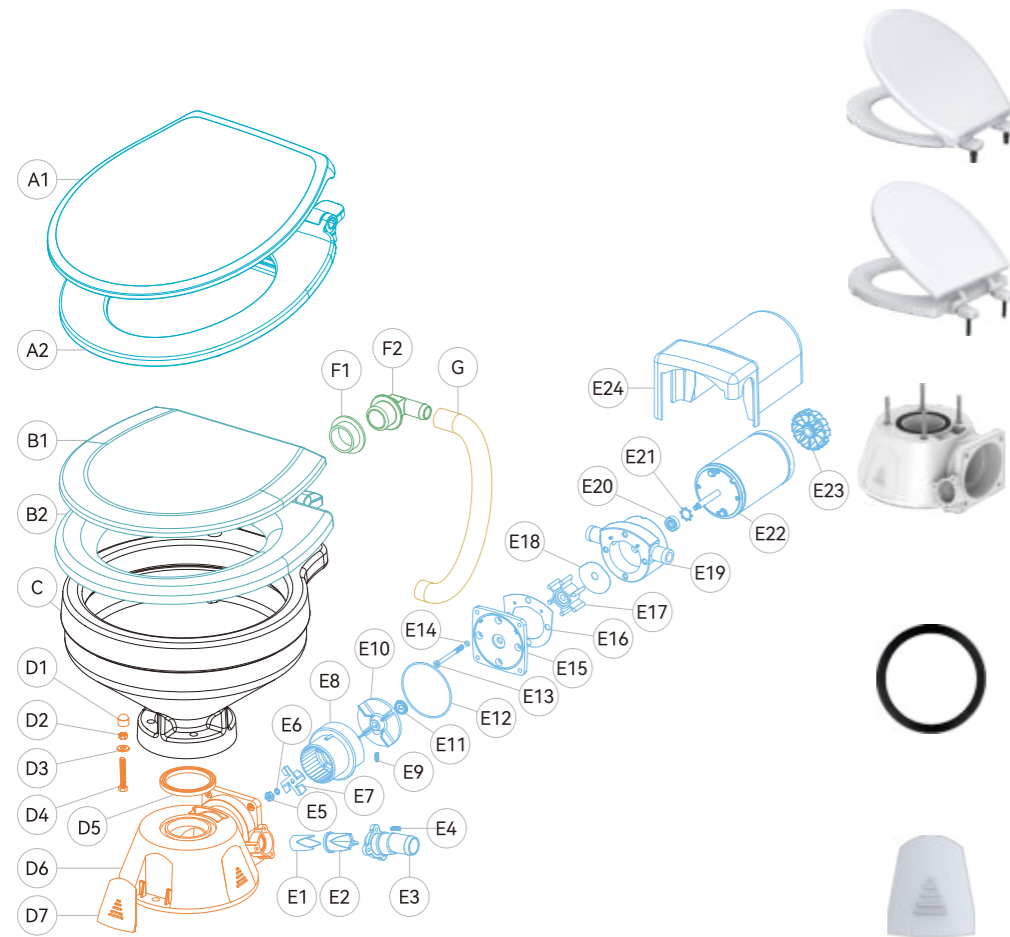


No.	Part Name	No.	Part Name
A1-A2	Toilet Cover Kit (Regular)	G12	Switch Button
B1-B2	Toilet Cover Kit (Compact)	G13	Normally Open Micro Switch
C	Ceramic Bowl	G14	Switch Rubber Sleeve
D1	Plastic Nut	G15	Switch Fixing Shaft
D2	Stainless Steel Washer	G16	Screw
D3	M6 Nut	G17	Sewage Pump Middle Cover
D4	Screw	G18	Shaft Seal Gasket
D5	Plug	G19	Oil Seal
D6	Plug O-ring	G20	Sewage Pump Motor
D7	Toilet Base	G21	O-ring
D8	Toilet Base Rubber Seal	G22	Impeller Housing
E1	Special-shaped Washer	G23	Convex Stainless Steel Plate
E2	Inlet Elbow	G24	Impeller
F	Hose	G25	Impeller Housing Gasket
G1	Screw	G26	Stainless Steel Pressure Plate
G2	Switch Knob Upper Cover	G27	Blade
G3	Fixing Cover	G28	M6 Spring Washer
G4	Switch Knob Lower Cover	G29	M6 Nut
G5	Switch Knob Stopper	G30	Sewage Elbow
G6	Switch Knob Stopper Spring	G31	Drain Check Valve
G7	Sewage Pump Upper Cover	G32	Discharge Flange
G8	Middle Cover Gasket	G33	Impeller Pump Head
G9	Check Valve	G34	Screw
G10	Middle Cover Impeller Cover	G35	Base Valve Gasket
G11	Impeller		

- A1-2**  
**SFMTK-01-02**  
Toilet Cover Kit (Regular)  
For SEAFLO marine toilet (regular)
- B1-2**  
**SFMTK-01-03**  
Toilet Cover Kit (Compact)  
For SEAFLO marine toilet (compact)
- D1-8**  
**SFMTK-01-01**  
Toilet Base kit  
For SEAFLO manually operated and electric conversion marine toilets
- E1-2**  
**SFMTK-01-04**  
Water Inlet Assembly  
For SEAFLO manually operated and electric conversion marine toilets
- G1-35**  
**SFMTMP1-02(12V) / SFMTMP2-02(24V)**  
Electric Conversion for Manual Toilets  
For SEAFLO manually operated and electric conversion marine toilets
- G30-32**  
**SFMTK-01-05**  
Water Outlet Assembly  
For SEAFLO manually operated and electric conversion marine toilets
- G35**  
**SFMTK-02-07**  
Base Valve Gasket  
For SEAFLO electric conversion marine toilets

SEAFLO toilet service parts are sold in packages. The individual paper list is for reference only.

**Electric Marine Toilet**



No.	Part Name	No.	Part Name
A1/A2	Toilet Cover Kit (Regular)	E10	Sewage Pump Impeller
B1/B2	Toilet Cover Kit (Compact)	E11	Gasket Seal
C	Ceramic Bowl	E12	Gasket O-ring
D1	Plastic Nut	E13	Sewage Pump Screw
D2	M6 Nut	E14	Screw O-ring
D3	Stainless Steel Washer	E15	Sewage Pump Gasket
D4	Screw	E16	Impeller Cover Seal Gasket
D5	Toilet Base Rubber Seal	E17	Impeller
D6	Toilet Base	E18	Stainless Steel Sheet
D7	Toilet Base Side Cover	E19	Impeller Housing
E1	One-way Valve Skeleton	E20	Oil Seal
E2	Drain Check Valve	E21	Oil Seal Retaining Ring
E3	Sewage Elbow	E22	Motor
E4	Screw	E23	Sewage Pump Knob
E5	M6 Nut	E24	Motor Cover
E6	M6 Spring Washer	F1	Special-shaped Washer
E7	Stainless Steel Blade	F2	Inlet Elbow
E8	Sewage Pump Cover	G	Hose
E9	Headless Set Screw		

**A1-2**

**SFMTK-01-02**  
Toilet Cover Kit (Regular)  
For SEAFLO marine toilet (regular)

**B1-2**

**SFMTK-01-03**  
Toilet Cover Kit (Compact)  
For SEAFLO marine toilet (compact)

**D1-7**

**SFMTK-02-08**  
Toilet Base  
For SEAFLO electric marine toilets  
and quiet electric marine toilets

**D5**

**SFMTK-02-11**  
Toilet Base Rubber Seal  
For SEAFLO electric marine toilets  
and quiet electric marine toilets

**D7**

**SFMTK-02-12**  
Toilet Base Side Cover  
For SEAFLO electric marine toilets  
and quiet electric marine toilets

**E1-24**

**SFMTMP1-01(12V) / SFMTMP2-01(24V)**  
Flush Pump for Marine Toilet  
For SEAFLO electric marine toilets

**E1-4**

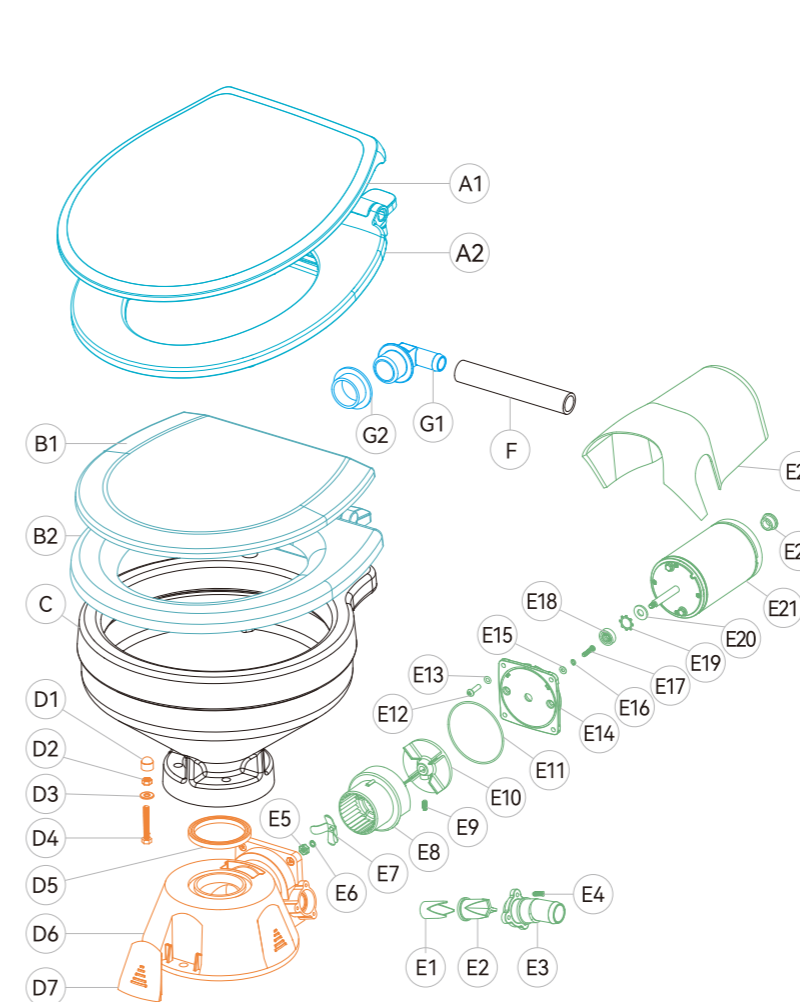
**SFMTK-02-09**  
Sewage Elbow  
For SEAFLO electric marine toilets  
and quiet electric marine toilets

**E2**

**SFMTK-02-10**  
Drain Check Valve  
For SEAFLO electric marine toilets  
and quiet electric marine toilets

**SFMTK1-01(12V) / SFMTK2-01(24V)**  
Electric Toilet Macerator Conversion Kit  
For SEAFLO electric marine toilets

**Quiet Flush Electric Toilet**



No.	Part Name	No.	Part Name
A1-A2	Toilet Cover Kit (Regular)	E9	Headless Set Screw
B1-B2	Toilet Cover Kit (Compact)	E10	Sewage Pump Impeller
C	Ceramic Bowl	E11	Gasket O-ring
D1	Plastic Nut	E12	Screw
D2	M6 Nut	E13	Screw Rod O-ring
D3	Stainless Steel Washer	E14	Sewage Pump Gasket
D4	Screw	E15	Flat Washer
D5	Toilet Base Rubber Seal	E16	Spring Washer
D6	Toilet Base	E17	Screw
D7	Toilet Base Side Cover	E18	Oil Seal
E1	One-way Valve Skeleton	E19	Oil Seal Retaining Ring
E2	Drain Check Valve	E20	Shaft Washer
E3	Sewage Elbow	E21	Motor
E4	Screw	E22	Motor Hole Plug
E5	M6 Nut	E23	Motor Cover
E6	M6 Spring Washer	F	Hose
E7	Stainless Steel Blade	G1	Inlet Elbow
E8	Sewage Pump Cover	G2	Special-shaped Washer

**A1-2**

**SFMTK-01-02**  
Toilet Cover Kit (Regular)  
For SEAFLO marine toilet (regular)

**B1-2**

**SFMTK-01-03**  
Toilet Cover Kit (Compact)  
For SEAFLO marine toilet (compact)

**D1-7**

**SFMTK-02-08**  
Toilet Base  
For SEAFLO electric marine toilets  
and quiet electric marine toilets

**D5**

**SFMTK-02-11**  
Toilet Base Rubber Seal  
For SEAFLO electric marine toilets  
and quiet electric marine toilets

**D7**

**SFMTK-02-12**  
Toilet Base Side Cover  
For SEAFLO electric marine toilets  
and quiet electric marine toilets

**E1-23**

**SFMTMP1-04(12V) / SFMTMP2-04(24V)**  
Quiet Electric Toilet Flush Pump  
For SEAFLO quiet electric marine toilets

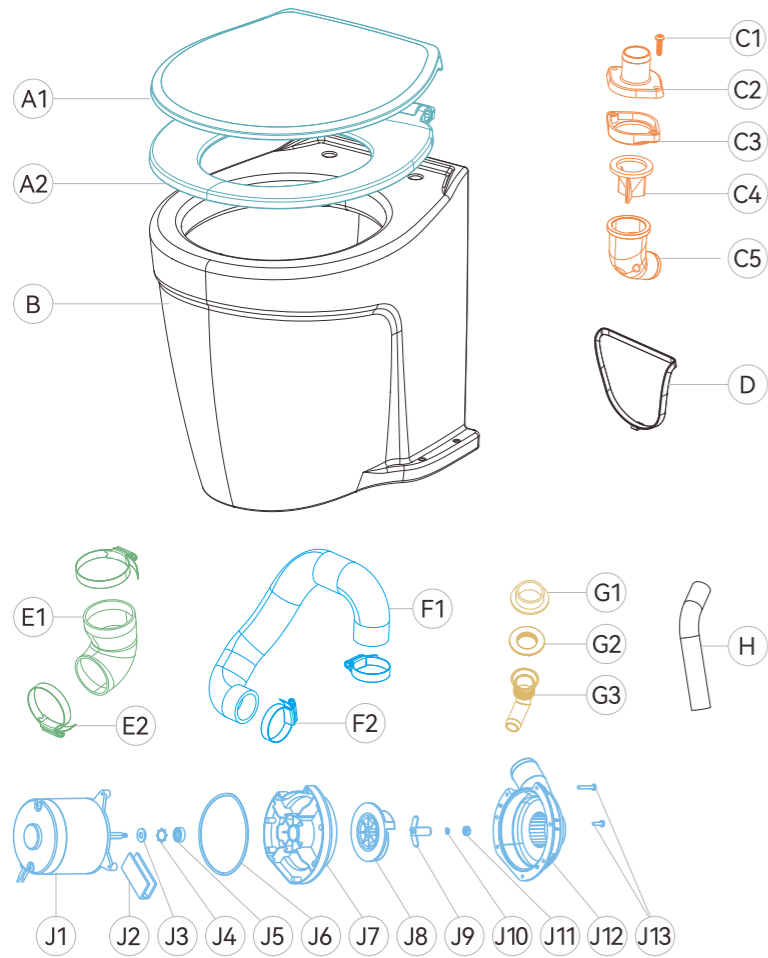
**E1-4**

**SFMTK-02-09**  
Sewage Elbow  
For SEAFLO electric marine toilets  
and quiet electric marine toilets

**E2**

**SFMTK-02-10**  
Drain Check Valve  
For SEAFLO electric marine toilets  
and quiet electric marine toilets

**Deluxe Flush Electric Toilet**



No.	Part Name	No.	Part Name
A1-A2	Toilet Cover Kit	H	Hose
B	Ceramic Bowl	J1	Motor
C1	Screw	J2	U-Shaped Gasket
C2	Discharge Connector	J3	Shaft Washer
C3	Discharge Flange	J4	Oil Seal Retaining Ring
C4	Drain Check Valve	J5	Oil Seal
C5	Sewage Elbow	J6	Sewage Pump O-Ring
D	Cable Tie	J7	Pump Base
E1	L-shaped Sewage Pipe	J8	Impeller
E2	Hose Clamp	J9	Blade
F1	Shaped Sewage Pipe	J10	M6 Spring Washer
F2	Hose Clamp	J11	M6 Nut
G1	Special-Shaped Washer	J12	Pump Cover
G2	Lock Nut	J13	Screw
G3	Inlet Connector		

**A1-2**  
**SFMTK-01-02**  
Toilet Cover Kit (Regular)  
For SEAFLO marine toilet (regular)

**C1-5**  
**SFMTK-05-14**  
Sewage Elbow Assembly  
For SEAFLO deluxe flush marine toilets

**E1-2**  
**SFETH02**  
L-shaped Sewage Pipe Assembly  
For SEAFLO deluxe flush marine toilets

**F1-2**  
**SFETH01**  
Shaped Sewage Pipe Assembly  
For SEAFLO deluxe flush marine toilets

**G1-3**  
**SFMTK-05-15**  
Water Inlet Assembly  
For SEAFLO deluxe flush marine toilets

**J1-13**  
**SFMTTP1-05(12V) / SFMTTP2-05(24V)**  
Deluxe Electric Toilet Flush Pump  
For SEAFLO deluxe flush marine toilets

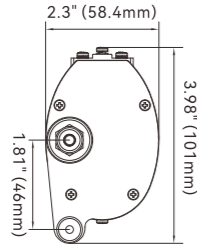
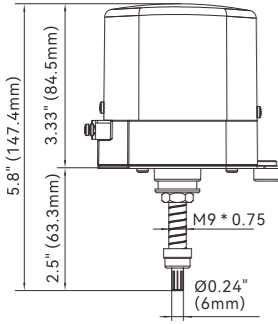
SEAFLO toilet service parts are sold in packages.  
The individual paper list is for reference only.



## Wiper Motor 5Nm

### FEATURES & BENEFITS

- 5 Nm torque, self-parking
- Adjustable sweep angles: 90°, 110°
- Self-parking position adjustable to the left or right
- Stainless steel driveshaft and durable metal housing
- Supports multiple wiper arm and blade combinations
- Powers arm/blade combinations up to 380 mm / 405 mm



Color Box

#### Optional wiper arms



Length: 11"-14"  
Wiper Arms - 01 Series

#### Optional wiper blades



Length: 11" / 12" / 13" / 14"  
Wiper Blades - 01 Series



Length: 7"-10" / 10"-13"  
Wiper Arms - 04 Series



Length: 11" / 12" / 14" / 16"  
Wiper Blades - 02 Series



Length: 9 1/4"-12 3/4" / 12"-15"  
Wiper Arms - 05 Series



Length: 11" / 12" / 14" / 16"  
Wiper Blades - 03 Series

Model	Voltage	Max Current	Torque	Shaft Length	Sweep Angles	Sweep Speed	Fuse
SFWM1-0564-01	12 V	1.2 A	5Nm	64mm / 2.5"	90°, 110°	40 sweeps/min	3 A
SFWM2-0564-01	24 V	0.6 A	5Nm	64mm / 2.5"	90°, 110°	40 sweeps/min	2 A

## 5Nm Wiper Kits



01 Series Wiper Motor 5Nm



05 Series Wiper Arm



03 Series Wiper Blade

Model	Voltage	Max Current	Sweep Angles	Sweep Speed	Motor Model	Wiper Arm Model	Wiper Blade Model	Fuse
SFWK1-0564-01	12 V	1.2 A	90°, 110°	40 sweeps/min	SFWM1-0564-01	SFWA1-315-05	SFWB1-280-03	3 A
SFWK2-0564-01	24 V	0.6 A	90°, 110°	40 sweeps/min	SFWM2-0564-01	SFWA1-315-05	SFWB1-280-03	2 A
SFWK1-0564-02	12 V	1.2 A	90°, 110°	40 sweeps/min	SFWM1-0564-01	SFWA1-380-05	SFWB1-355-03	3 A
SFWK2-0564-02	24 V	0.6 A	90°, 110°	40 sweeps/min	SFWM2-0564-01	SFWA1-380-05	SFWB1-355-03	2 A

Note:  
Wiper Arm Lengths: SFWA1-315-05 (9 1/4"-12 3/4" / 235-315mm), SFWA1-380-05 (12"-15" / 305-380mm)  
Wiper Blades Lengths: SFWB1-280-03 (11" / 280mm), SFWA1-380-05 (14" / 355mm)

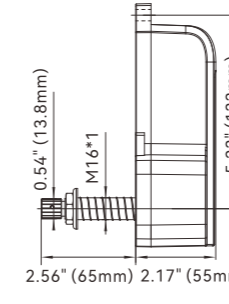
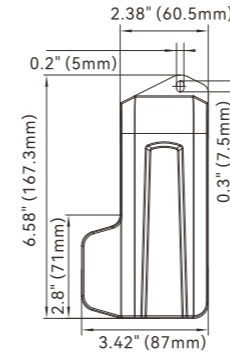
## Wiper Motor 6Nm

### FEATURES & BENEFITS

- 6 Nm torque, self-parking
- Adjustable sweep angles: 50°, 65°, 80°, 110°
- Self-parking position adjustable to the left or right
- Stainless steel driveshaft with anti-rotation design
- UV- and high-temperature-resistant thermoplastic housing
- Powers arm/blade combinations up to 440 mm / 355 mm



Color Box



#### Optional wiper arms



Length: 12"-17"  
Wiper Arms - 01 Series

#### Optional wiper blades



Length: 11" / 12" / 13" / 14"  
Wiper Blades - 01 Series

Model	Voltage	Max Current	Torque	Shaft Length	Sweep Angles	Sweep Speed	Fuse
SFWM1-0664-01	12 V	2.5 A	6Nm	64mm / 2.5"	50°, 65°, 80°, 110°	45 sweeps/min	5 A
SFWM2-0664-01	24 V	1.2 A	6Nm	64mm / 2.5"	50°, 65°, 80°, 110°	45 sweeps/min	3 A

## 6Nm Wiper Kits



01 Series Wiper Motor 6Nm



01 Series Wiper Blade



01 Series Wiper Arm

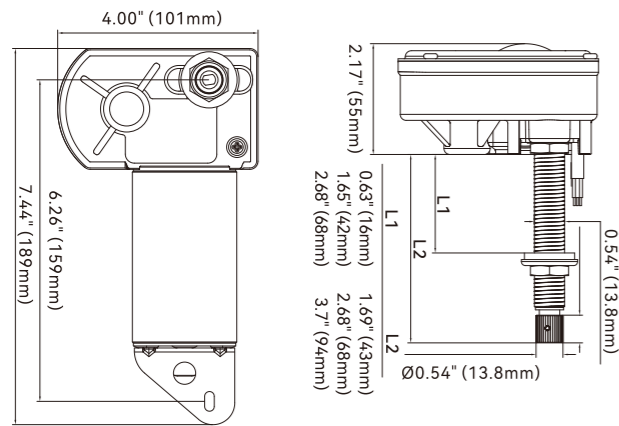
Model	Voltage	Max Current	Sweep Angles	Sweep Speed	Motor Model	Wiper Arm Model	Wiper Blade Model	Fuse
SFWK1-0664-01	12 V	2.5 A	50°, 65°, 80°, 110°	45 sweeps/min	SFWM1-0664-01	SFWA1-440-01	SFWB2-355-01	5 A
SFWK2-0664-01	24 V	1.2 A	50°, 65°, 80°, 110°	45 sweeps/min	SFWM2-0664-01	SFWA1-440-01	SFWB2-355-01	3 A

Note:  
Wiper Arm Length: SFWA1-440-01 (12"-17" / 310-440mm)  
Wiper Blade Length: SFWB2-355-01 (14" / 355mm)

## Wiper Motor 10Nm

### FEATURES & BENEFITS

- 10 Nm torque
- Three angle types with multi-level adjustability
- 2-speed, self-parking
- Insulated ground for metal, plastic, and wooden boats
- Powers arm/blade combinations up to 610 mm / 560 mm
- Parking position adjustable to the left or right side
- Driveshaft in stainless steel
- EMC protected



Model	SFSP-20-10
Volts	12V/24V
Fuse	20A

#### Optional wiper arms

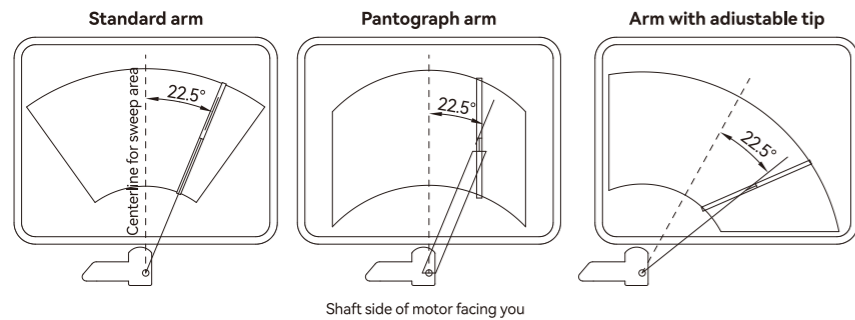


#### Optional wiper blades



The 01, 02, and 03 series wiper arms can be freely combined with the 01 series wiper blades using the two connectors provided with the blades

### Installation Diagram



### Sweep Adjustment Options

Sweep Angles	A°	B°	C°	D°
Type I	40	45	50	55
Type II	60	70	80	90
Type III	83	100	110	120

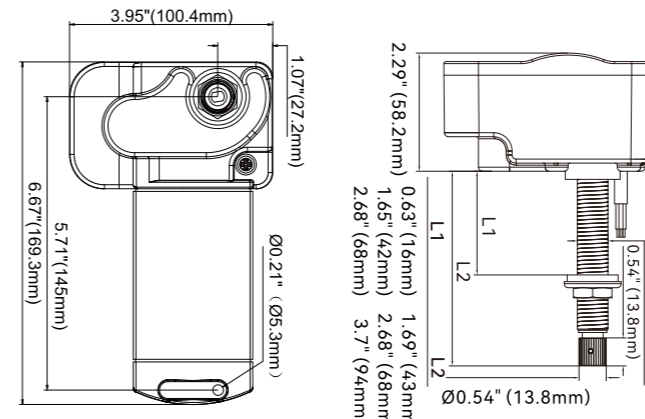
Please specify the required angle type when placing your order.

Model	Voltage	Max Current	Shaft Length	High Speed	Low Speed	Fuse
SFWM1-1043-01	12 V	4 A	1.69" (43mm)	55 sweeps/min	35 sweeps/min	5 A
SFWM2-1043-01	24 V	2 A	1.69" (43mm)	55 sweeps/min	35 sweeps/min	3 A
SFWM1-1068-01	12 V	4 A	2.68" (68mm)	55 sweeps/min	35 sweeps/min	5 A
SFWM2-1068-01	24 V	2 A	2.68" (68mm)	55 sweeps/min	35 sweeps/min	3 A
SFWM1-1094-01	12 V	4 A	3.70" (94mm)	55 sweeps/min	35 sweeps/min	5 A
SFWM2-1094-01	24 V	2 A	3.70" (94mm)	55 sweeps/min	35 sweeps/min	3 A

## Wiper Motor 12Nm

### FEATURES & BENEFITS

- 12 Nm torque, heavy duty motor
- Stepless sweep angle: 45 - 110°
- 2-speed, self-parking, IP65
- Parking position adjustable to the left or right side
- Driveshaft in stainless steel
- EMC protected
- Insulated ground for metal, plastic, and wooden boats
- Powers arm/blade combinations up to 610mm / 560 mm



Model	SFSP-20-10
Volts	12V/24V
Fuse	20A

#### Optional wiper arms

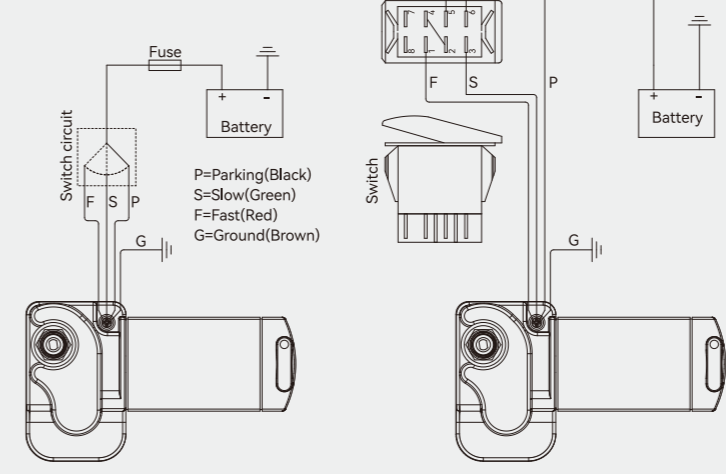


#### Optional wiper blades

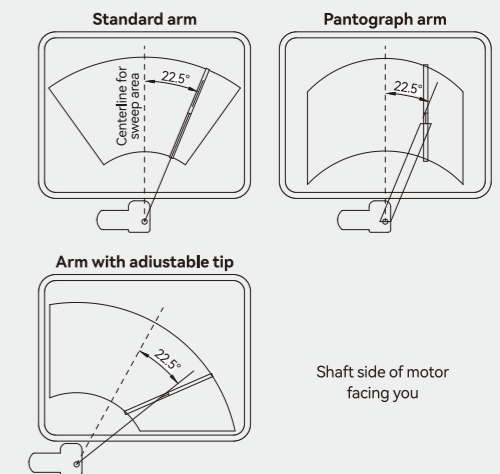


The 01, 02, and 03 series wiper arms can be freely combined with the 01 series wiper blades using the two connectors provided with the blades

### Wiring Diagram



### Installation Diagram



Model	Voltage	Max Current	Shaft Length	Sweep Angles	High Speed	Low Speed	Fuse
SFWM1-1243-01	12 V	4 A	1.69" (43mm)	45°-110°	55 sweeps/min	35 sweeps/min	5 A
SFWM2-1243-01	24 V	2 A	1.69" (43mm)	45°-110°	55 sweeps/min	35 sweeps/min	3 A
SFWM1-1268-01	12 V	4 A	2.68" (68mm)	45°-110°	55 sweeps/min	35 sweeps/min	5 A
SFWM2-1268-01	24 V	2 A	2.68" (68mm)	45°-110°	55 sweeps/min	35 sweeps/min	3 A
SFWM1-1294-01	12 V	4 A	3.70" (94mm)	45°-110°	55 sweeps/min	35 sweeps/min	5 A
SFWM2-1294-01	24 V	2 A	3.70" (94mm)	45°-110°	55 sweeps/min	35 sweeps/min	3 A

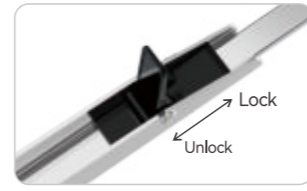
## Wiper Arm

### FEATURES & BENEFITS

- Adjustable length
- 316 stainless steel material
- Durable structure with a long lifespan
- Easy to install and maintain
- Multiple design types with strong compatibility



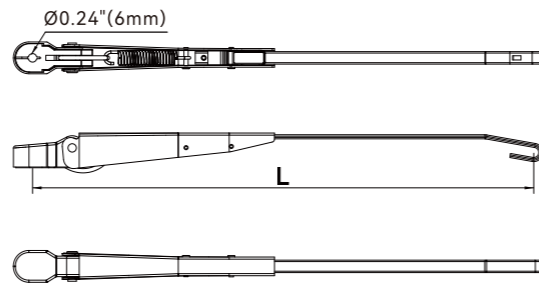
316 Stainless Steel



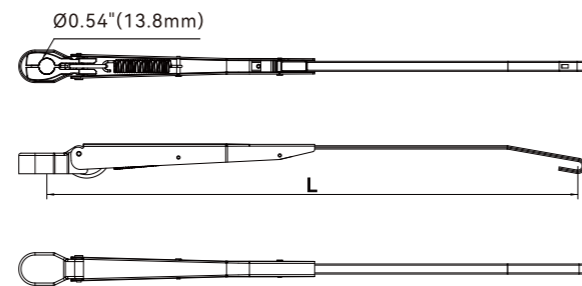
Loosen the black clamp to adjust the wiper arm length

### Wiper Arms- 01 Series

Compatible with Wiper Blade Series 01



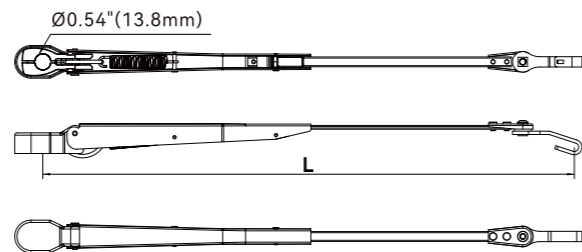
Model	Adjustable Length (L)	Material	Type	Fits
SFWA1-355-01	11"-14" (280-355mm)	316 Stainless Steel	J-hook standard model	5 Nm wiper motors



Model	Adjustable Length (L)	Material	Type	Fits
SFWA1-440-01	12"-17" (310-440mm)	316 Stainless Steel	J-hook standard model	6 Nm, 10 Nm, or 12 Nm wiper motors
SFWA1-610-01	19"-24" (480-610mm)	316 Stainless Steel	J-hook standard model	10 Nm or 12 Nm wiper motors

### Wiper Arms- 02 Series

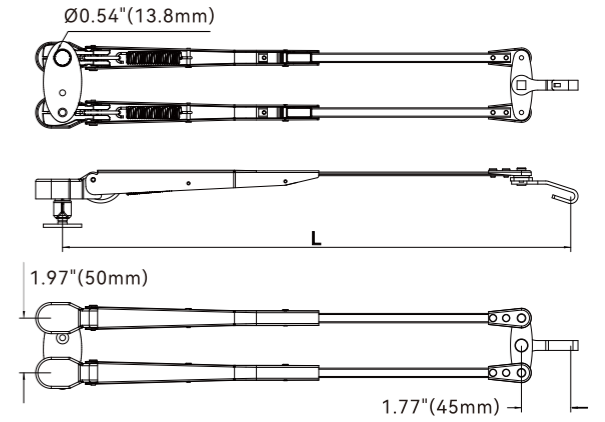
Compatible with Wiper Blade Series 01



Model	Adjustable Length (L)	Material	Type	Adjustable Tip	Fits
SFWA1-455-02	12½"-18" (320-455mm)	316 Stainless Steel	Adjustable tip with J-hook	± 40°	10 Nm or 12 Nm wiper motors
SFWA1-610-02	19"-24" (480-610mm)	316 Stainless Steel	Adjustable tip with J-hook	± 40°	10 Nm or 12 Nm wiper motors

### Wiper Arms- 03 Series

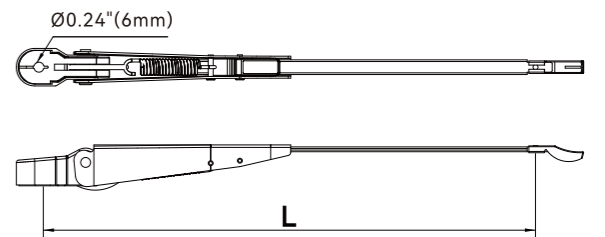
Compatible with Wiper Blade Series 01



Model	Adjustable Length (L)	Material	Type	Fits
SFWA1-455-03	12½"-18" (320-455mm)	316 Stainless Steel	Pantograph arm with J-hook	10 Nm or 12 Nm wiper motors
SFWA1-610-03	19"-24" (480-610mm)	316 Stainless Steel	Pantograph arm with J-hook	10 Nm or 12 Nm wiper motors

### Wiper Arms- 04 Series

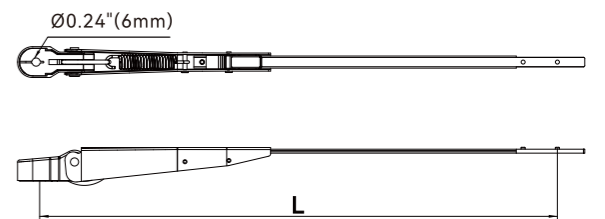
Compatible with Wiper Blade Series 02



Model	Adjustable Length (L)	Material	Type	Fits
SFWA1-255-04	7"-10" (180-255mm)	316 Stainless Steel	Hook-type standard model	5 Nm wiper motors
SFWA1-330-04	10"-13" (255-330mm)	316 Stainless Steel	Hook-type standard model	5 Nm wiper motors

### Wiper Arms- 05 Series

Compatible with Wiper Blade Series 03

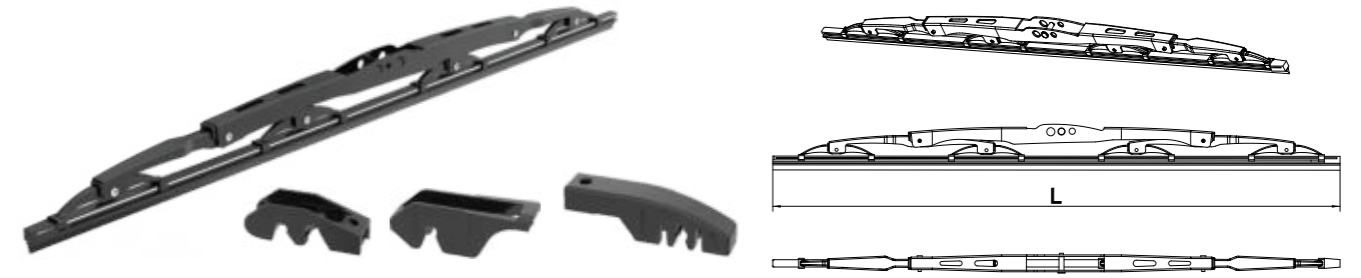


Model	Adjustable Length (L)	Material	Type	Fits
SFWA1-315-05	9¼"-12¾" (235-315mm)	316 Stainless Steel	Insert-type standard model	5 Nm wiper motors
SFWA1-380-05	12"-15" (305-380mm)	316 Stainless Steel	Insert-type standard model	5 Nm wiper motors

## Wiper Blades

### FEATURES & BENEFITS

Perfect fit with excellent cleaning and wiping performance  
UV-resistant, corrosion-resistant, and suitable for marine climates  
Easy to install and maintain

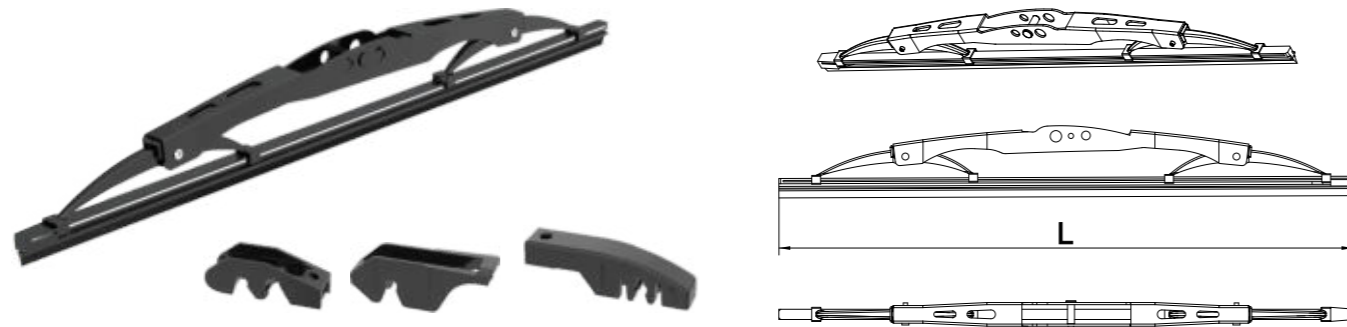


Standard Accessories

Model	Length (L)	Material	Surface Treatment	Connection Type	Fits
SFWB2-455-01	18"/455mm	Iron/Rubber	Painted	Replaceable connector type	10 Nm or 12 Nm wiper motors
SFWB2-480-01	19"/480mm	Iron/Rubber	Painted	Replaceable connector type	10 Nm or 12 Nm wiper motors
SFWB2-508-01	20"/508mm	Iron/Rubber	Painted	Replaceable connector type	10 Nm or 12 Nm wiper motors
SFWB2-533-01	21"/533mm	Iron/Rubber	Painted	Replaceable connector type	10 Nm or 12 Nm wiper motors
SFWB2-560-01	22"/560mm	Iron/Rubber	Painted	Replaceable connector type	10 Nm or 12 Nm wiper motors

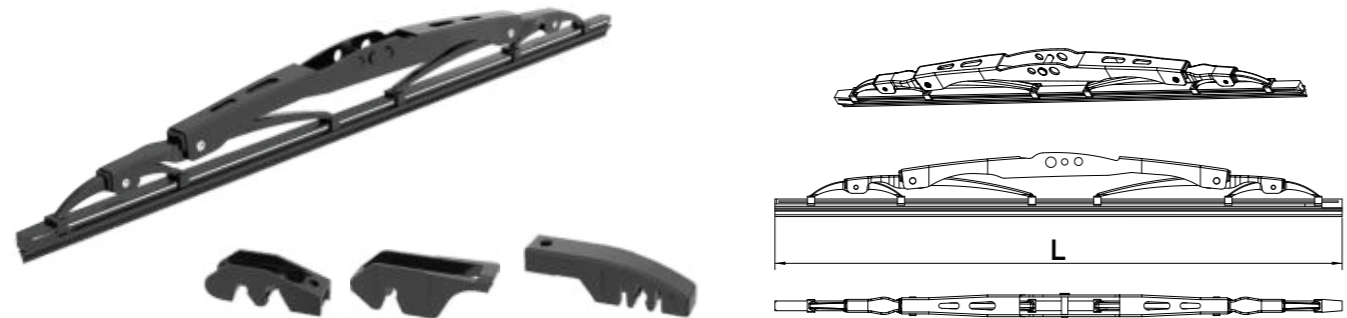
### Wiper Blades - 01 Series

Compatible with Wiper Arm Series 01, 02, and 03



Standard Accessories

Model	Length (L)	Material	Surface Treatment	Connection Type	Fits
SFWB2-280-01	11"/280mm	Iron/Rubber	Painted	Replaceable connector type	5 Nm, 6 Nm, 10 Nm, or 12 Nm wiper motors
SFWB2-305-01	12"/305mm	Iron/Rubber	Painted	Replaceable connector type	5 Nm, 6 Nm, 10 Nm, or 12 Nm wiper motors
SFWB2-330-01	13"/330mm	Iron/Rubber	Painted	Replaceable connector type	5 Nm, 6 Nm, 10 Nm, or 12 Nm wiper motors

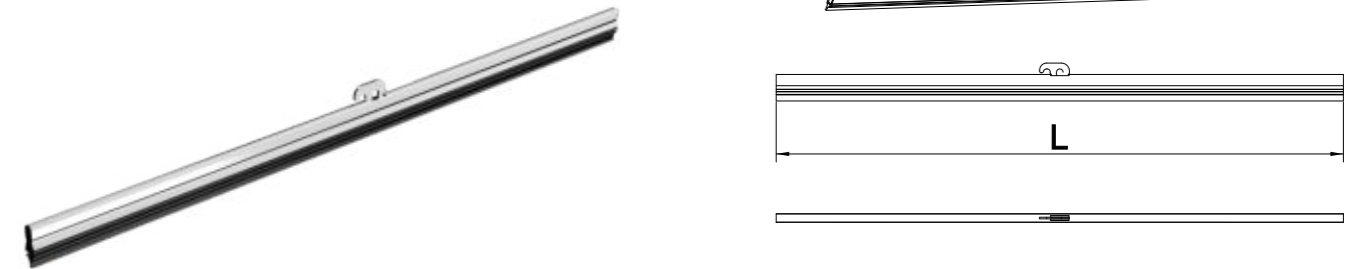


Standard Accessories

Model	Length (L)	Material	Surface Treatment	Connection Type	Fits
SFWB2-355-01	14"/355mm	Iron/Rubber	Painted	Replaceable connector type	5 Nm, 6 Nm, 10 Nm, or 12 Nm wiper motors
SFWB2-380-01	15"/380mm	Iron/Rubber	Painted	Replaceable connector type	10 Nm or 12 Nm wiper motors
SFWB2-405-01	16"/405mm	Iron/Rubber	Painted	Replaceable connector type	10 Nm or 12 Nm wiper motors
SFWB2-430-01	17"/430mm	Iron/Rubber	Painted	Replaceable connector type	10 Nm or 12 Nm wiper motors

### Wiper Blades - 02 Series

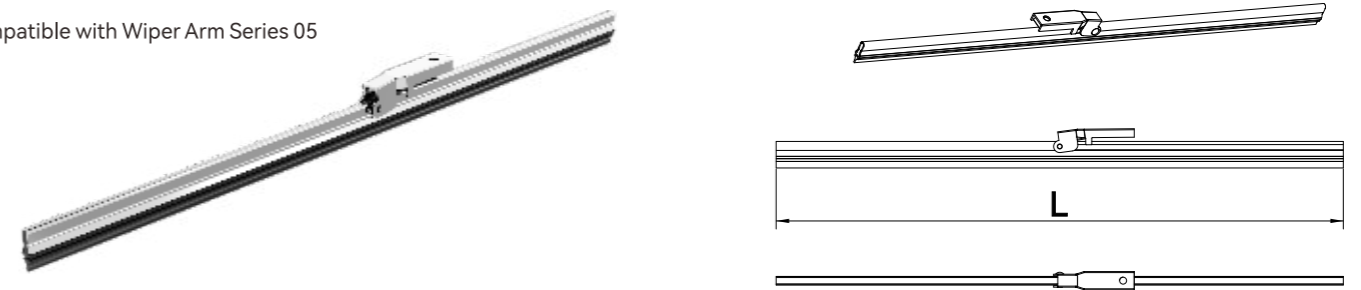
Compatible with Wiper Arm Series 04



Model	Length (L)	Material	Surface Treatment	Connection Type	Fits
SFWB1-280-02	11"/280mm	Stainless Steel/Rubber	Electropolished	Hook-type	5 Nm wiper motors
SFWB1-305-02	12"/305mm	Stainless Steel/Rubber	Electropolished	Hook-type	5 Nm wiper motors
SFWB1-355-02	14"/355mm	Stainless Steel/Rubber	Electropolished	Hook-type	5 Nm wiper motors
SFWB1-405-02	16"/405mm	Stainless Steel/Rubber	Electropolished	Hook-type	5 Nm wiper motors

### Wiper Blades - 03 Series

Compatible with Wiper Arm Series 05



Model	Length (L)	Material	Surface Treatment	Connection Type	Fits
SFWB1-280-03	11"/280mm	Stainless Steel/Rubber	Electropolished	Insert-type	5 Nm wiper motors
SFWB1-305-03	12"/305mm	Stainless Steel/Rubber	Electropolished	Insert-type	5 Nm wiper motors
SFWB1-355-03	14"/355mm	Stainless Steel/Rubber	Electropolished	Insert-type	5 Nm wiper motors
SFWB1-405-03	16"/405mm	Stainless Steel/Rubber	Electropolished	Insert-type	5 Nm wiper motors

### Solar Power Ventilator

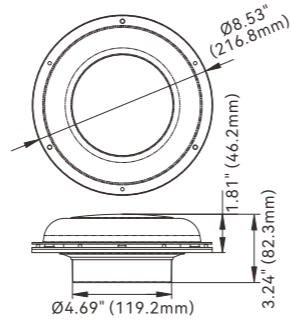
- Waterproof design
- Easy installation
- High quality battery can run the vent up to 30 hours with no sunlight
- Two types of blade(Intake & Exhaust) are provided with each vent Ventilator with rechargeable battery and switch
- Powered by solar and work at both day and night
- For marine, boats, yachts, trailer caravan solar vent



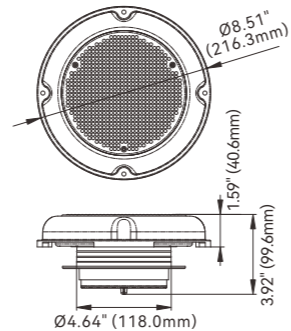
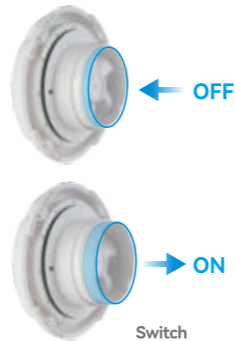
Low Carbon, Environmentally Friendly Solar Power Storage, 24 hours Availability



Color Box



Model	Power	Air flow	Ventilator Cutout Diameter	Battery	Switch	Material
SFSPV-01	1.2W	900 cubic ft/h	4-3/4" (120mm)	NO	NO	ABS

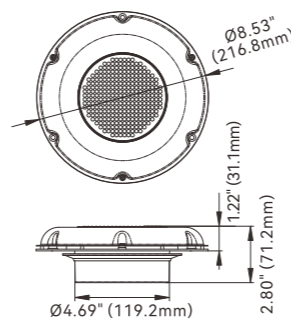


Model	Power	Air flow	Ventilator Cutout Diameter	Battery	Switch	Material
SFSPV-04	1.2W	900 cubic ft/h	4-3/4" (120mm)	YES	YES	ABS



SFSPV-02

SFSPV-03



Model	Power	Air flow	Ventilator Cutout Diameter	Battery	Switch	Material
SFSPV-02	1.2W	900 cubic ft/h	4-3/4" (120mm)	NO	NO	Stainless Steel
SFSPV-03	1.2W	900 cubic ft/h	4-3/4" (120mm)	YES	YES	Stainless Steel

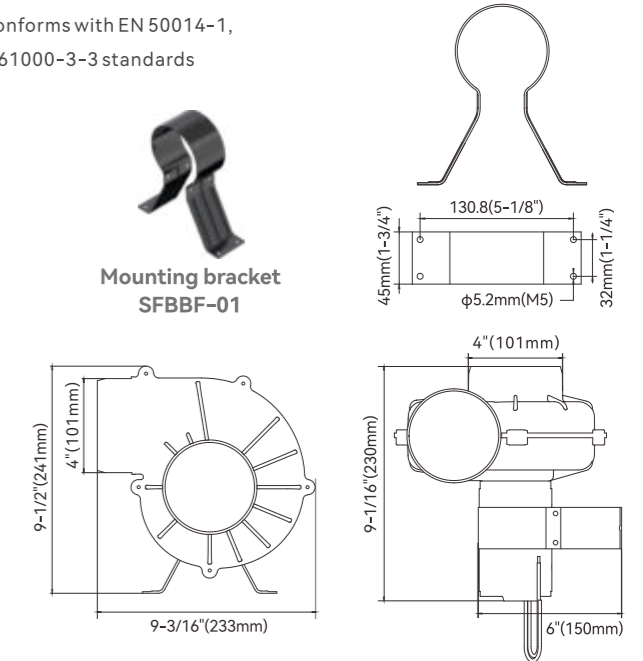
### Bilge Blower 04 series PRO

- Rugged corrosion resistant MPPO plastic housing
- Universal flexmount bracket permits outlet to face any direction
- Mounts on any flat surface
- Slide-in duct connection
- High-efficiency, high-volume airflow
- Low-current draw, ignition protection

- Mounting brackets are made of cold rolled galvanized sheet (SPCD) metal
- CE Conforms with EN 50014-1, EN N61000-3-3 standards



Color Box



#### Technical Date

Model	Volts	Air Flow (cfm/cmh)	Current(A)	Fuse (A)	Packing Size	N.W. (kg)
SFBB1-250-04	12 V	250/425	12.0	15.0	9.45" x 9.06" x 9.65"	3.2
SFBB2-250-04	24 V	250/425	6.0	10.0	9.45" x 9.06" x 9.65"	3.2

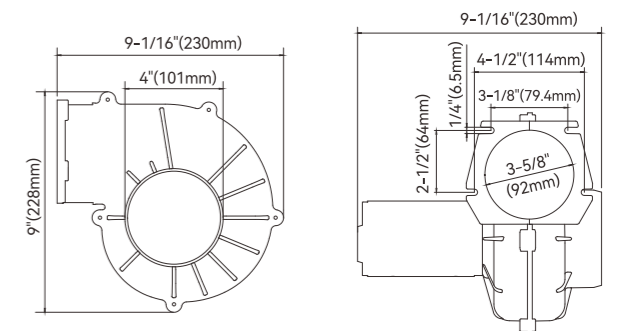
### Bilge Blower 05 series PRO

- Rugged corrosion resistant MPPO plastic housing
- Mounts on any flat surface
- Slide-in duct connection

- High-efficiency, high-volume airflow
- Low-current draw, ignition protection
- CE Conforms with EN 50014-1, EN N61000-3-3 standards



Color Box



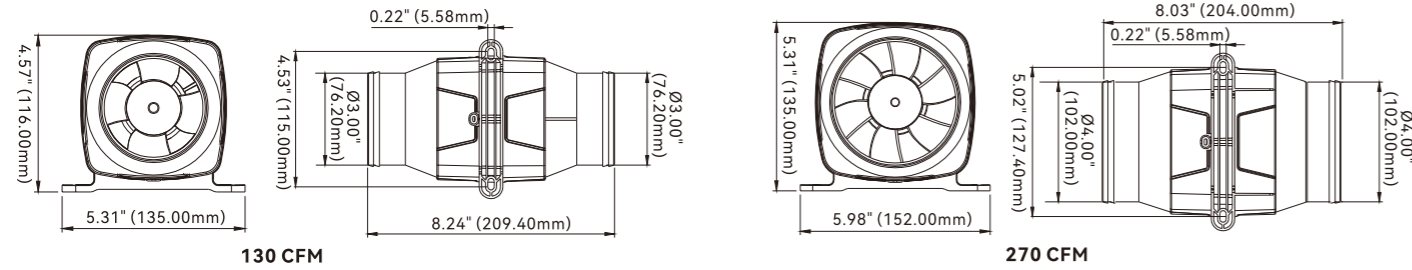
#### Technical Date

Model	Volts	Air Flow (cfm/cmh)	Current(A)	Fuse (A)	Packing Size	N.W. (kg)
SFBB1-250-05	12 V	250/425	12.0	15.0	9.45" x 9.06" x 9.65"	2.8
SFBB2-250-05	24 V	250/425	6.0	10.0	9.45" x 9.06" x 9.65"	2.8

### In-line Blowers 01 / 02 Series

**FEATURES & BENEFITS**

- Meets or exceeds ISO 8846 certification
- Built-in mounting feet allows easy vertical or horizontal installation
- Very low current draw, high volume air flow, long life
- Four/Six-blade fan maximizes airflow and efficiency
- Sealed motor shaft for moisture protection
- Corrosion resistant ABS plastic housing

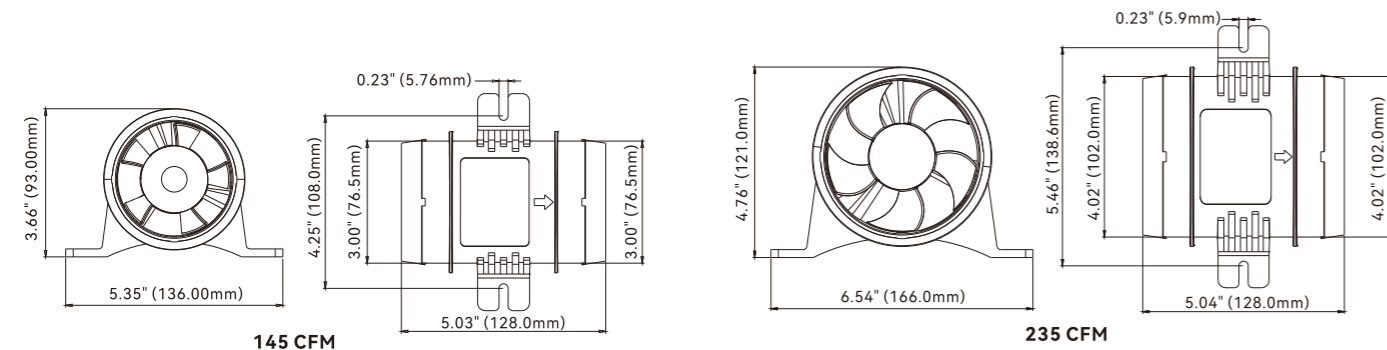


Model	Volts(V)	Air Flow (cfm/cmh)	Amp Draw(A)	Fuse (A)	Intake Pipe Dia	Packing Size	N.W./G.W. (kg)
SFIB1-130-01	12V	130/220	2.5A	5.0A	3" / 76 mm	8.46" x 5.39" x 4.72"	0.45/0.60 kg
SFIB2-130-01	24V	130/220	1.3A	3.0A	3" / 76 mm	8.46" x 5.39" x 4.72"	0.45/0.60 kg
SFIB1-270-02	12V	270/456	6.0A	10.0A	4" / 102 mm	8.14" x 6.06" x 4.48"	0.70/0.90 kg
SFIB2-270-02	24V	270/456	3.0A	5.0A	4" / 102 mm	8.14" x 6.06" x 4.48"	0.70/0.90 kg

### In-line Blowers 03 / 04 Series

**FEATURES & BENEFITS**

- Meets or exceeds ISO 8846 certification
- Built-in mounting feet allows easy vertical or horizontal installation
- Very low current draw, high volume air flow, long life
- Five blade fan maximizes airflow and efficiency
- Sealed motor shaft for moisture protection
- Corrosion resistant ABS plastic housing
- Smaller size for any limited area



Model	Volts	Air Flow (cfm/cmh)	Amp Draw(A)	Fuse (A)	Intake Pipe Dia	Packing Size	N.W./G.W. (kg)
SFIB1-145-03	12 V	145/247	3.0	5.0	3" / 76 mm	5.51" x 5.23" x 3.74"	0.34/0.41 kg
SFIB2-145-03	24 V	145/247	1.5	2.5	3" / 76 mm	5.51" x 5.23" x 3.74"	0.34/0.41 kg
SFIB1-235-04	12 V	235/400	4.0	7.0	4" / 102 mm	6.69" x 5.23" x 4.84"	0.40/0.49 kg
SFIB2-235-04	24 V	235/400	2.0	4.0	4" / 102 mm	6.69" x 5.23" x 4.84"	0.40/0.49 kg

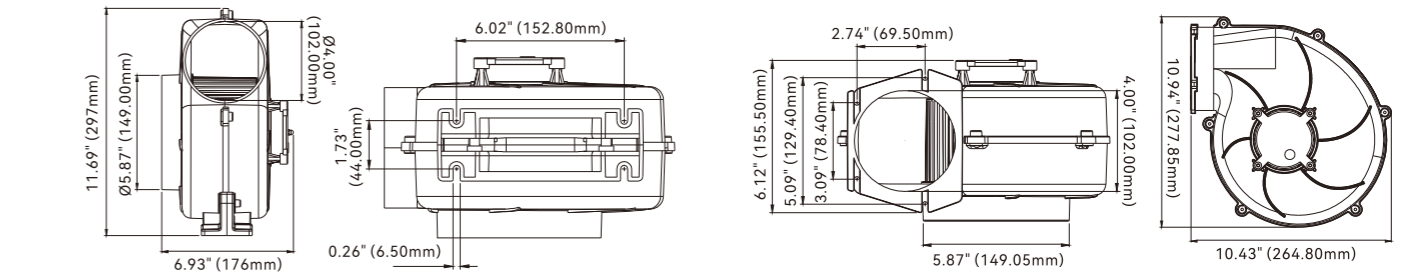
### Bilge Blowers 02 / 03 Series

**FEATURES & BENEFITS**

- Efficient high volume air flow
- Very low current draw, long life
- Available in either Flex Mount or Flange Mount
- Sealed motor shaft for moisture protection
- Corrosion resistant ABS plastic housing
- Ignition protected
- CE conforms with EN 50014-1, EN N 61000-3-3

**TYPICAL APPLICATIONS**

- Boats bilge ventilation
- Engine compartments
- Galleys and heads
- Bus ventilation (engine and bathroom fumes)



**Flex Mount-02** The flex mount is when the motor mounting bracket is used to secure to blower, hose would have to be connected to both the inlet and outlet.

**Flange Mount-03** The flange mount is when the blower is mounted using the outlet mounting flange to secure the pump.

Model	Volts	Air Flow (cfm/cmh)	Amp Draw(A)	Fuse (A)	Packing Size	N.W./G.W. (kg)
SFBB1-320-02	12 V	320/550	11.0	16.0	11.81" x 10.62" x 11.02"	2.27/2.45 kg
SFBB2-320-02	24 V	320/550	6.0	10.0	11.81" x 10.62" x 11.02"	2.27/2.45 kg
SFBB1-320-03	12 V	320/550	11.0	16.0	11.81" x 10.62" x 11.02"	2.46/2.56 kg
SFBB2-320-03	24 V	320/550	6.0	10.0	11.81" x 10.62" x 11.02"	2.46/2.56 kg

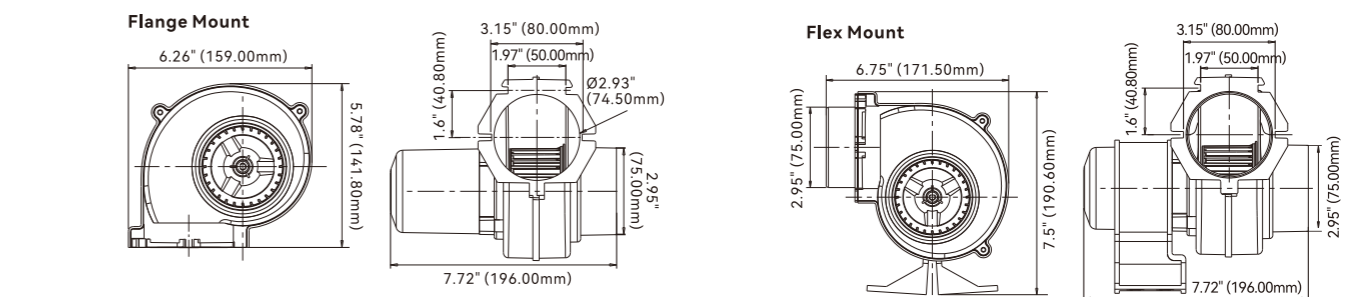
### Bilge Blowers 01 Series

**FEATURES & BENEFITS**

- Dual Mounting Options
- Efficient high volume air flow
- Very low current draw, long life
- Flex Mount or Flange Mount
- Sealed motor shaft for moisture protection
- Corrosion resistant ABS plastic housing
- Ignition protected
- CE conforms with EN 50014-1, EN N 61000-3-3

**TYPICAL APPLICATIONS**

- Boats bilge ventilation
- Engine compartments
- Galleys and heads

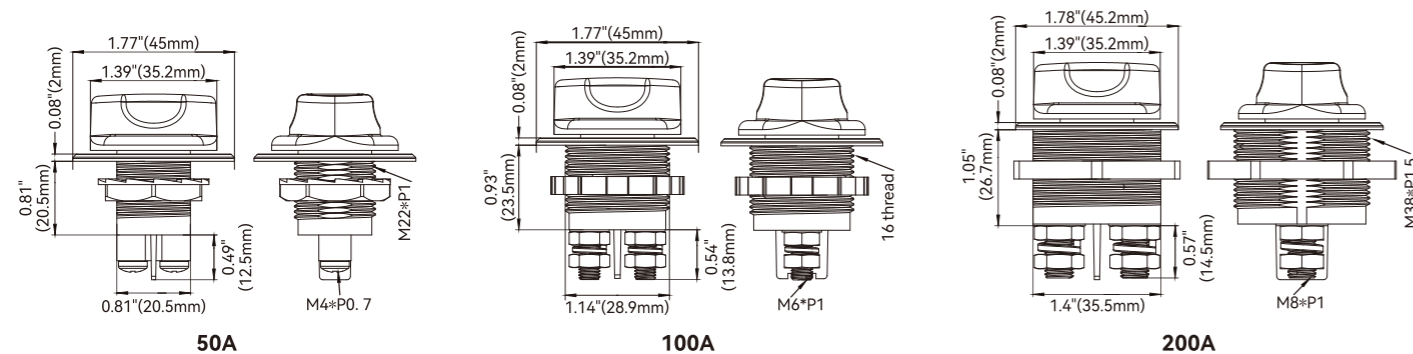


Model	Volts	Air Flow (cfm/cmh)	Amp Draw(A)	Fuse (A)	Packing Size	N.W./G.W. (kg)
SFBB1-130-01	12 V	130/220	2.5	5	6.29" x 6.29" x 7.87"	0.71/0.83 kg
SFBB2-130-01	24 V	130/220	1.5	3	6.29" x 6.29" x 7.87"	0.71/0.83 kg



### Battery Disconnect Switch

- Removable cap that doubles as a key
- Leakage-proof design extends battery life
- Simple operation:
  - On: on state
  - Off: off state
  - Out: removable cap
- Waterproof and rainproof switch
- Compact size for easy installation
- Compatible with 12-48V DC systems, applications including outboard motors, yachts, cars, and Rvs



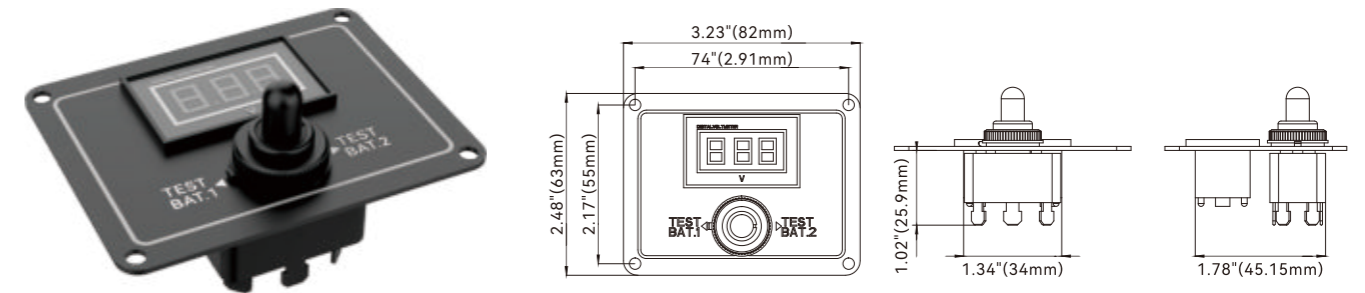
Model	Continuous Current	Maximum Voltage	Intermittent Current	Product Life	Operating Temperature	Material
SFCBS-50-204	50A	32V	75A	1000 times	-30°C ~ +60°C	Plastic + Brass
SFCBS-100-204	100A	32V	150A	1000 times	-30°C ~ +60°C	Plastic + Brass
SFCBS-200-204	200A	32V	300A	1000 times	-30°C ~ +60°C	Plastic + Brass

### 2-Way Voltage Display Switch Panel

- High-definition LED display panel monitors battery voltage status in real time
- Made of aluminum for improved thermal and electrical conductivity
- One-touch switching allows for clear dual battery status at a glance
- Automatically shifts battery voltage based on voltage, ensuring balanced accuracy and meeting higher voltage requirements
- IP65-rated protection: waterproof, moisture-proof, oil-proof, and vibration-proof
- Simple wiring, reverse connection protection prevents burns



High-definition LED display panel monitors battery voltage status in real time



Model	Electrical Safety Rating	Material (panel)	Maximum Total Current	Input Voltage
SFSP-20-11	IP65	Aluminum	20A	12V

### Ignition Switch Panel

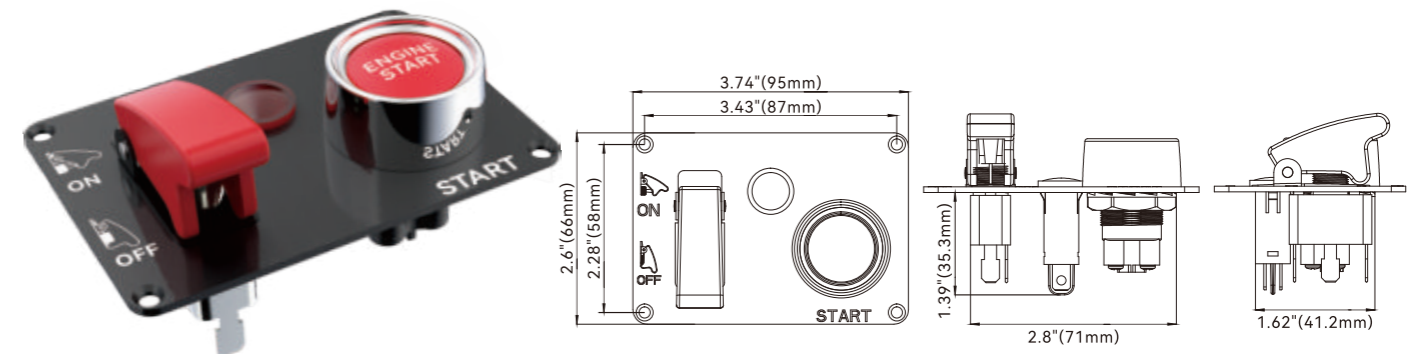
- Three-in-one design, Start Engine Button, On-Off LED Lighted Switch, LED indicator light
- LED indicator light ensures safe nighttime operation
- One-touch control instantly cuts off power to the entire vehicle
- Made of reinforced aluminum and high-quality carbon fiber for durability
- Compatible with most 12V vehicles and can be used as a starter switch for RVs, yachts, or other vehicles



Start Engine Button



On-Off LED Lighted Switch



Model	Maximum Current	Input voltage	Material (panel)
SFSP-20-12	20A	12V	Carbon fiber aluminum plate

## Dual Circuit ON/OFF Battery Disconnect Switch

### FEATURES

- Switches an isolated battery bank to all loads or combines battery banks to all loads
- The Combine function can be used to parallel the batteries in the event of a low engine battery. (only SFCBS-300-301)
- Tin-plated copper studs for maximum conductivity and corrosion resistance
- Studs accept 3/8" (M10) ring terminals
- One-piece terminal stud design never loosens over time
- Isolating cover with three snap-off side pieces protects rear contacts and allows wire access in any direction

### Regulatory

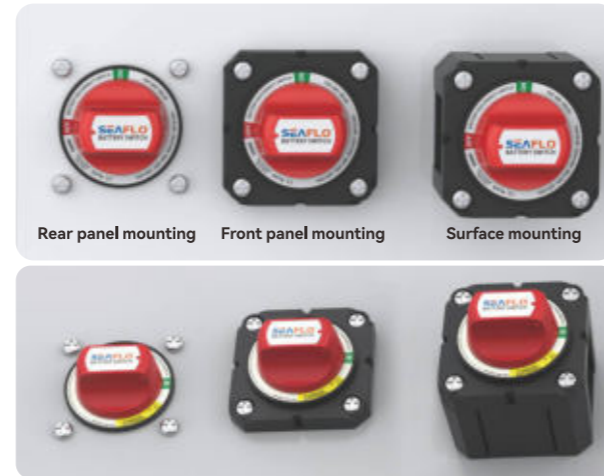
- CE, RoHS, ISO 8846
- Meets all American Boat and Yacht Council (ABYC) requirements for battery switches
- Meets UL 1500 and SAE J1171 external ignition protection requirements
- Ip66 – protected against powerful water jets



Color Box

Blister

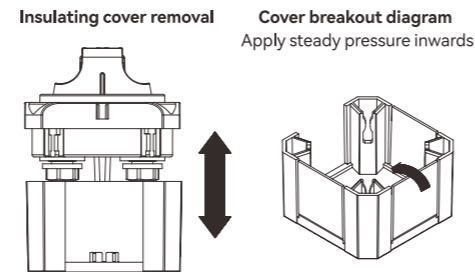
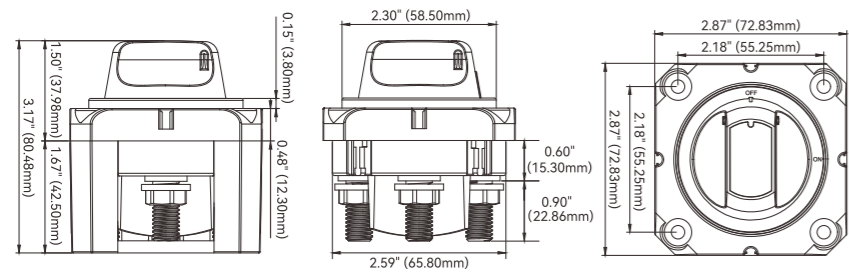
### Switch Mounting Options



Rear panel mounting

Front panel mounting

Surface mounting



## Dual Circuit



SFCBS-300-203  
Dual Circuit

SFCBS-300-301  
Dual Circuit Plus

Model	SFCBS-300-203	SFCBS-300-301
Cranking Rating: 30 sec	675A DC	675A DC
Intermittent Rating: 5 min	450A DC	450A DC
Continuous Rating	300A	300A
DC Terminal Stud, Tin-Plated Copper	3/8" -16 (M10)	3/8" 16 (M10)
Torque 120 in-lb (13.56 N·m) Cable Size to Meet Ratings*	4/0 AWG (120 mm <sup>2</sup> )	4/0 AWG (120 mm <sup>2</sup> )
Maximum Voltage Rating	32 Volts DC	32 Volts DC

## Single Circuit ON-OFF



SFCBS-300-202

Model	SFCBS-300-202
Cranking Rating: 30 sec	900A DC
Intermittent Rating: 5 min	500A DC
Continuous Rating	300A
DC Terminal Stud, Tin-Plated Copper	3/8" -16 (M10)
Torque 120 in-lb (13.56 N·m) Cable Size to Meet Ratings*	4/0 AWG (120 mm <sup>2</sup> )
Maximum Voltage Rating	48 Volts DC

## Selector 4 Position



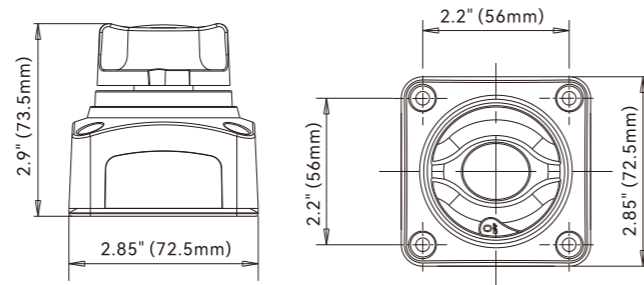
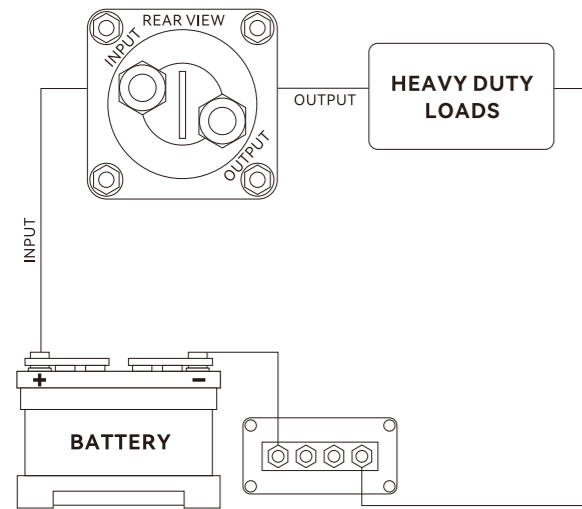
SFCBS-300-402

Model	SFCBS-300-402
Cranking Rating: 30 sec	900A DC
Intermittent Rating: 5 min	500A DC
Continuous Rating	300A
DC Terminal Stud, Tin-Plated Copper	3/8" -16 (M10)
Torque 120 in-lb (13.56 N·m) Cable Size to Meet Ratings*	4/0 AWG (120 mm <sup>2</sup> )
Maximum Voltage Rating	32 Volts DC

## Battery Isolator Switch

### FEATURES & BENEFITS

An interchangeable labeling system allowing a full range of applications.  
Removable side plates on 4 sides for access of up to 1/0 cables plus a rear cover insulating the rear terminals against any short circuits.  
ABS Anti-aging, Anti-ultraviolet.  
May be connected to either the positive or the negative electric cable.



Model	Max.Volt	Amp Draw(A)	Max Amp Draw(A)	Switch Position	Packing Size	N.W./G.W.
SFCBS-275-201	50 V	275	1250	2	3.07" x 3.07" x 3.14" (78 x 78 x 80 mm)	0.20/0.30 kg

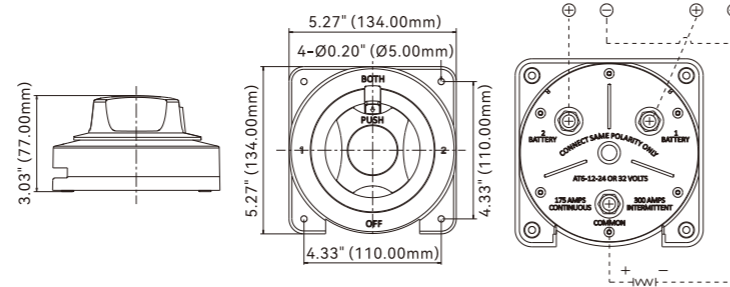
## Battery Selector Switch

### FEATURES & BENEFITS

The selector switch will allow the use of one battery for engine starting and one battery for auxiliary electrical equipment.  
Batteries may be placed in parallel by switching to (BOTH) for emergency usage  
Small in size, Fine appearance, Sturdy and durable  
3/8"-16 tin-plated copper studs for maximum conductivity and corrosion resistance Can be installed in any position  
175A continuous duty at DC-12V  
300A intermittent duty at DC-12V  
Suitable for 6V, 12V, 24V and 32V ship's supply system

### 4 POSITIONS

- OFF** - Complete disconnect of both batteries or banks of batteries
- 1**- Operation of No.1 battery only
- 2**- Operation of No.2 battery only
- BOTH**- Operation of both batteries and banks of batteries



Model	Max.Volt	Amp Draw(A)	Max Amp Draw(A)	Switch Position	Packing Size	N.W./G.W.
SFCBS-175-402	6-12-24-32	175	300	3	5.51" x 5.51" x 3.34" (140 x 140 x 85 mm)	0.45/0.65 kg

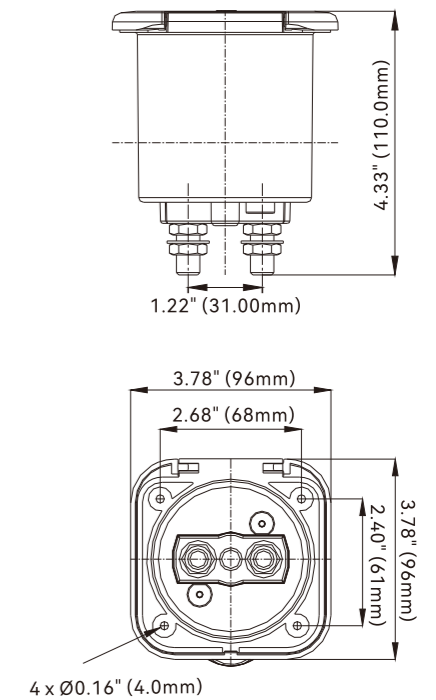
## Battery Isolator Switch

### FEATURES & BENEFITS

An interchangeable labeling system allowing a full range of applications.  
ABS Anti-aging, Anti-ultraviolet.  
May be connected to either the positive or the negative electric cable.  
In the "OFF" position the key may be removed. (SFIBS1-01 only)  
Small in size, Fine appearance, Sturdy and durable.



Kraft Box

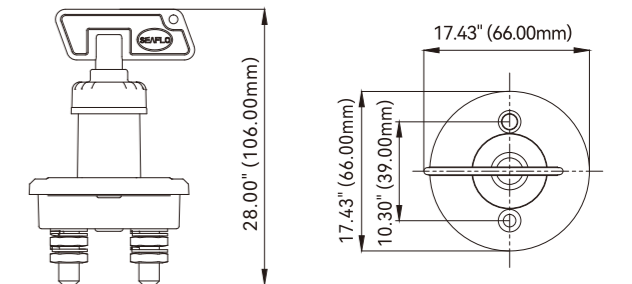


### Product Specifications

Model	Voltage	Amps Draw(A)	Max Amp Draw(A)	N.W.	Working Tempure°C	Package
SFIBS1-01	50 V	275	1250	0.29 kg	-40~80	Kraft Box



Blister



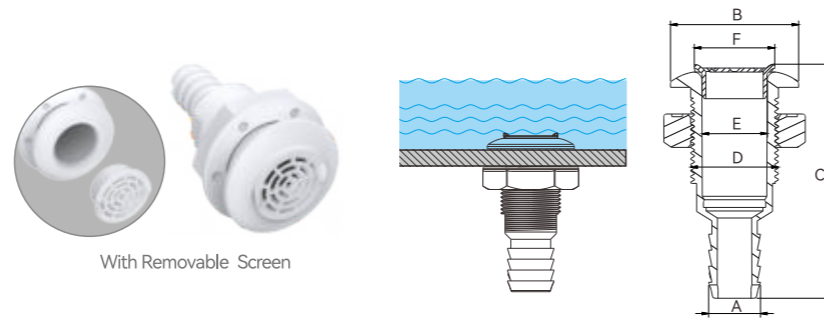
### Product Specifications

Model	Voltage	Amps Draw(A)	Max Amp Draw(A)	N.W.	Working Tempure°C	Package
SFIBS2-01	50 V	275	1250	0.15 kg	-40~80	PE Bag

## Thru Hull Fittings with Strainer

### FEATURES & BENEFITS

High flow, low resistance screening  
Made from premium ASA materials, durability and performance  
The removable screen allows easy maintenance ensuring a clean and efficient boat drainage system

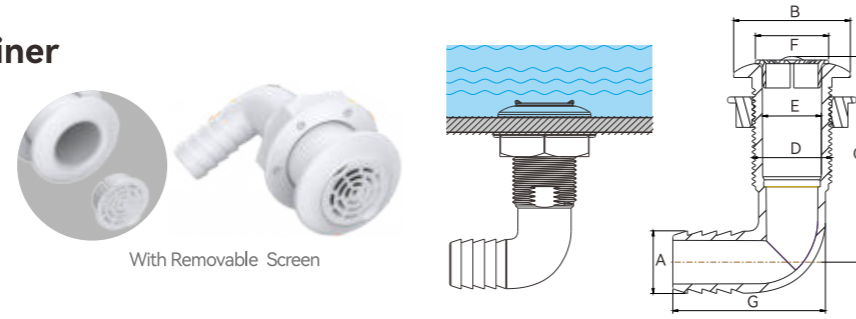


Model	Size	A (mm)	B (mm)	C (mm)	D (mm)	E (mm)	F (mm)
SFTH1-0625-03	5/8"	16	48	86.2	32.8	24.5	30.1
SFTH1-0750-03	3/4"	19.4	48	86.2	32.8	24.5	30.1
SFTH1-1000-03	1"	25.8	48	86.6	32.8	24.5	30.1
SFTH1-1125-03	1-1/8"	29	48	86.6	32.8	24.5	30.1
SFTH1-1250-03	1-1/4"	32.2	60	98	41.6	32	37.1
SFTH1-1500-03	1-1/2"	38.5	60	98	41.6	32	37.1

## 90° Thru Hull Fittings with Strainer

### FEATURES & BENEFITS

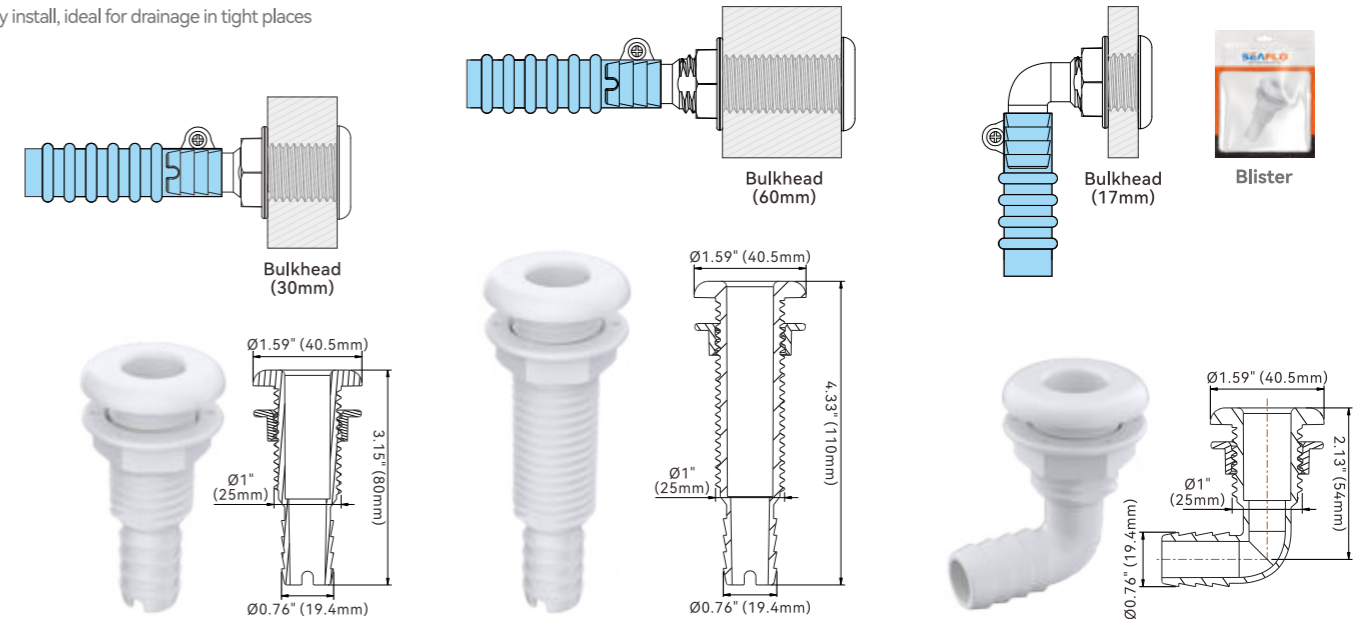
High flow, low resistance screening  
Made from premium ASA materials, durability and performance  
The removable screen allows easy maintenance ensuring a clean and efficient boat drainage system



Model	Size	A (mm)	B (mm)	C (mm)	D (mm)	E (mm)	F (mm)	G (mm)
SFTH1-0625-04	5/8"	16	48	81.2	32.8	24.5	30.1	64
SFTH1-0750-04	3/4"	19.4	48	81.2	32.8	24.5	30.1	64
SFTH1-1000-04	1"	25.8	48	84.7	32.8	24.5	30.1	64
SFTH1-1125-04	1-1/8"	29	48	84.7	32.8	24.5	30.1	64
SFTH1-1250-04	1-1/4"	32.2	60	86	41.6	32	37.1	96
SFTH1-1500-04	1-1/2"	38.5	60	98	41.6	32	37.1	96

## 3/4" Thru Hull Fittings

Made of impact resistant pp  
Easy install, ideal for drainage in tight places

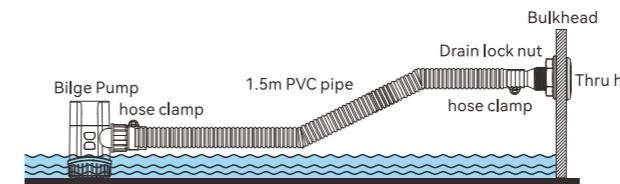


Model	Size	Color	Model	Size	Color	Model	Size	Color
SFTH1-0750-05	3/4"	White	SFTH1-0750-06	3/4"	White	SFTH1-0750-07	3/4"	White

## Bilge Pump Installation Kit

Used together with SEAFLO bilge pump

### APPLICATION



### Standard Pump Configurations

Model	Outlet Dia	Current
SFBPK-0750-01	3/4" (19mm) Outlet	4.5' (1.5m) x 3/4" (19mm) Flexible PVC Hose 3/4" (19mm) Thru-Hull 2 Stainless Steel Hose Clamps
SFBPK-1000-01	1" (25mm) Outlet	4.5' (1.5m) x 1" (25mm) Flexible PVC Hose 1" (25mm) Thru-Hull 2 Stainless Steel Hose Clamps
SFBPK-1125-01	1-1/8" (29mm) Outlet	4.5' (1.5m) x 1-1/8" (29mm) Flexible PVC Hose 1-1/8" (29mm) Thru-Hull 2 Stainless Steel Hose Clamps
SFBPK-1500-01	1-1/2" (40mm) Outlet	4.5' (1.5m) x 1-1/2" (40mm) Flexible PVC Hose 1-1/2" (40mm) Thru-Hull 2 Stainless Steel Hose Clamps
SFBPK-2000-01	2" (52mm) Outlet	4.5' (1.5m) x 2" (52mm) Flexible PVC Hose 2" (52mm) Thru-Hull 2 Stainless Steel Hose Clamps

## Thru Hull Fittings

Made from premium materials, molded from nylon and fiberglass, Sturdy construction, Easy to install. The thru hull fittings is suitable for some corners and narrow areas. Widely used in ships, yachts, boats to meet your daily needs.

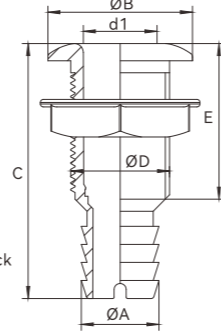
### Plastic Thru-Hulls



Blister



Optional product check valve to prevent product backflow



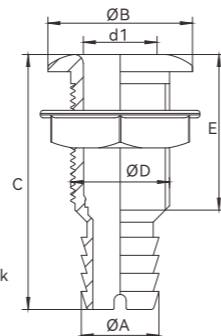
SFTH1-0625-01 SFTH1-0750-01 SFTH1-1000-01 SFTH1-1125-01 SFTH1-1250-01 SFTH1-1500-01 SFTH1-2000-01

Model	Size	A (mm)	B (mm)	C (mm)	D (mm)	E (mm)	d1 (mm)	Color
SFTH1-0625-01	5/8"	16	48	85	32.8	52	24.5	White
SFTH2-0625-01	5/8"	16	48	85	32.8	52	24.5	Black
SFTH1-0750-01	3/4"	19.4	48	85	32.8	52	24.5	White
SFTH2-0750-01	3/4"	19.4	48	85	32.8	52	24.5	Black
SFTH1-1000-01	1"	25.8	48	85	32.8	52	24.5	White
SFTH2-1000-01	1"	25.8	48	85	32.8	52	24.5	Black
SFTH1-1125-01	1-1/8"	29	48	85	32.8	52	24.5	White
SFTH2-1125-01	1-1/8"	29	48	85	32.8	52	24.5	Black
SFTH1-1250-01	1-1/4"	32.2	60	95	41.6	55	32	White
SFTH2-1250-01	1-1/4"	32.2	60	95	41.6	55	32	Black
SFTH1-1500-01	1-1/2"	38.5	60	95	41.6	55	32	White
SFTH2-1500-01	1-1/2"	38.5	60	95	41.6	55	32	Black
SFTH1-2000-01	2"	51.3	82.5	130	59.7	80	49	White
SFTH2-2000-01	2"	51.3	82.5	130	59.7	80	49	Black

### Stainless Steel Capped Composite Thru-Hulls



Optional product check valve to prevent product backflow



SFTH3-0625-01 SFTH3-0750-01 SFTH3-1000-01 SFTH3-1125-01 SFTH3-1250-01 SFTH3-1500-01 SFTH3-2000-01

Model	Size	A (mm)	B (mm)	C (mm)	D (mm)	E (mm)	d1 (mm)	Color
SFTH3-0625-01	5/8"	16	48	85	32.8	52	24.5	Black
SFTH3-0750-01	3/4"	19.4	48	85	32.8	52	24.5	Black
SFTH3-1000-01	1"	25.8	48	85	32.8	52	24.5	Black
SFTH3-1125-01	1-1/8"	29	48	85	32.8	52	24.5	Black
SFTH3-1250-01	1-1/4"	32.2	60	95	41.6	55	32	Black
SFTH3-1500-01	1-1/2"	38.5	60	95	41.6	55	32	Black
SFTH3-2000-01	2"	51.3	82.5	130	59.7	80	49	Black

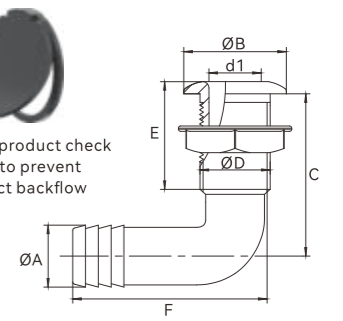
## 90° Thru Hull Fittings

Made from premium materials, molded from nylon and fiberglass, Sturdy construction, Easy to install. The 90° thru hull fittings is suitable for some corners and narrow areas. Widely used in ships, yachts, boats to meet your daily needs.

### Plastic Thru-Hulls



Optional product check valve to prevent product backflow



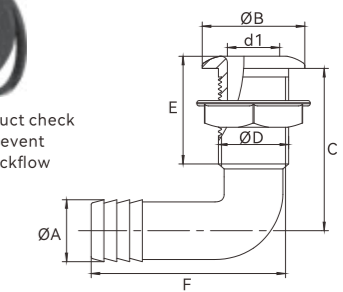
SFTH1-0625-02 SFTH1-0750-02 SFTH1-1000-02 SFTH1-1125-02 SFTH1-1250-02 SFTH1-1500-02

Model	Size	A (mm)	B (mm)	C (mm)	D (mm)	E (mm)	F (mm)	d1 (mm)	Color
SFTH1-0625-02	5/8"	16	48	73	32.8	52	64	24.5	White
SFTH2-0625-02	5/8"	16	48	73	32.8	52	64	24.5	Black
SFTH1-0750-02	3/4"	19.4	48	73	32.8	52	64	24.5	White
SFTH2-0750-02	3/4"	19.4	48	73	32.8	52	64	24.5	Black
SFTH1-1000-02	1"	25.8	48	76	32.8	52	64	24.5	White
SFTH2-1000-02	1"	25.8	48	76	32.8	52	64	24.5	Black
SFTH1-1125-02	1-1/8"	29	48	76	32.8	52	91	24.5	White
SFTH2-1125-02	1-1/8"	29	48	76	32.8	52	91	24.5	Black
SFTH1-1250-02	1-1/4"	32.2	60	76	41.6	55	95	32	White
SFTH2-1250-02	1-1/4"	32.2	60	76	41.6	55	95	32	Black
SFTH1-1500-02	1-1/2"	38.5	60	88	41.6	55	96	32	White
SFTH2-1500-02	1-1/2"	38.5	60	88	41.6	55	96	32	Black

### Stainless Steel Capped Composite Thru-Hulls



Optional product check valve to prevent product backflow



SFTH3-0625-02 SFTH3-0750-02 SFTH3-1000-02 SFTH3-1125-02 SFTH3-1250-02 SFTH3-1500-02

Model	Size	A (mm)	B (mm)	C (mm)	D (mm)	E (mm)	F (mm)	d1 (mm)	Color
SFTH3-0625-02	5/8"	16	48	73	32.8	52	64	24.5	Black
SFTH3-0750-02	3/4"	19.4	48	73	32.8	52	64	24.5	Black
SFTH3-1000-02	1"	25.8	48	76	32.8	52	64	24.5	Black
SFTH3-1125-02	1-1/8"	29	48	76	32.8	52	91	24.5	Black
SFTH3-1250-02	1-1/4"	32.2	60	76	41.6	55	95	32	Black
SFTH3-1500-02	1-1/2"	38.5	60	88	41.6	55	96	32	Black

## Boat Drain Plugs

### FEATURES & BENEFITS

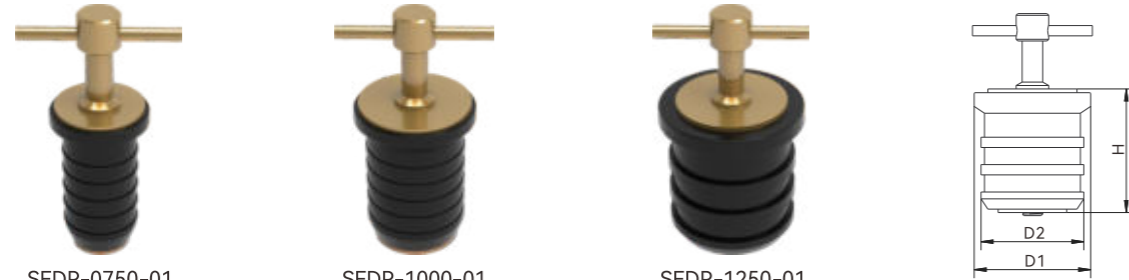
- High-quality brass material, durable, anti-rust, non-fading, corrosion-resistant, sturdy and durable for long-term use
- The neoprene seal creates a high-quality waterproof seal, which is not easily deformed and has a good sealing effect

- A variety of size and style options, widely used
- Simple twist and lock operation, easy to use
- 2 drain plugs per set
- Use in the bottom hatch, lifeboat and so on



Blister

### 01 T-Handle Drain Plug



SFDP-0750-01

SFDP-1000-01

SFDP-1250-01

Model	Size	D1mm	D2mm	Hmm	Material	Seal
SFDP-0750-01	3/4"(19mm)	22	17	34	Brass	Neoprene
SFDP-1000-01	1"(25mm)	28	23	34		
SFDP-1250-01	1-1/4"(32mm)	34	30	34		

### 02 Snap Handle Drain Plug



SFDP-0750-02

SFDP-1000-02

SFDP-1250-02

Model	Size	D1mm	D2mm	Hmm	Material	Seal
SFDP-0750-02	3/4"(19mm)	22	17	34	Brass	Neoprene
SFDP-1000-02	1"(25mm)	28	23	34		
SFDP-1250-02	1-1/4"(32mm)	34	30	34		

### 03 Drain Plugs



SFDP-0750-03

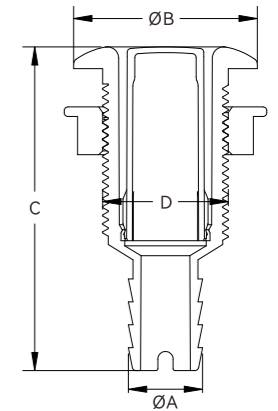
SFDP-1000-03

SFDP-1250-03

Model	Size	D1mm	D2mm	Hmm	Material	Seal
SFDP-0750-03	3/4"(19mm)	22	17	34	Brass	Neoprene
SFDP-1000-03	1"(25mm)	28	23	34		
SFDP-1250-03	1-1/4"(32mm)	34	30	34		

## Tank Ventilator, Straight

It is made from high quality, durable materials to withstand harsh marine conditions and is compatible with a wide range of hoses commonly used in the marine environment, ensuring that gases and pressures can escape, which is essential for the safe operation of a boat's systems.



SFTV3-0625-01

SFTV3-0750-01

SFTV3-1000-01

SFTV3-1125-01

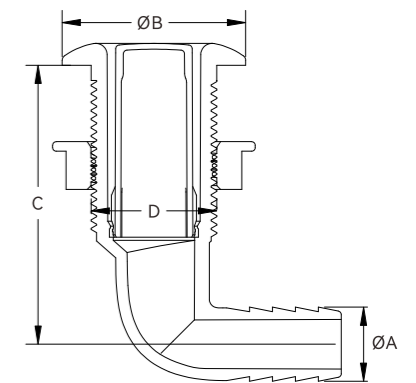
Model	Size	A (mm)	B (mm)	C (mm)	D (mm)	Color	Material
SFTV3-0625-01	5/8"	16	48	85	32.8	Black	Body : Nylon+GF Cover :316 Stainless steel
SFTV3-0750-01	3/4"	19.4	48	85	32.8	Black	
SFTV3-1000-01	1"	25.8	48	85	32.8	Black	
SFTV3-1125-01	1-1/8"	29	48	85	32.8	Black	

## Tank Ventilator, Angle

It is made from high quality, durable materials to withstand harsh marine conditions and is compatible with a wide range of hoses commonly used in the marine environment, ensuring that gases and pressures can escape, which is essential for the safe operation of a boat's systems.



Blister



SFTV3-0625-02

SFTV3-0750-02

SFTV3-1000-02

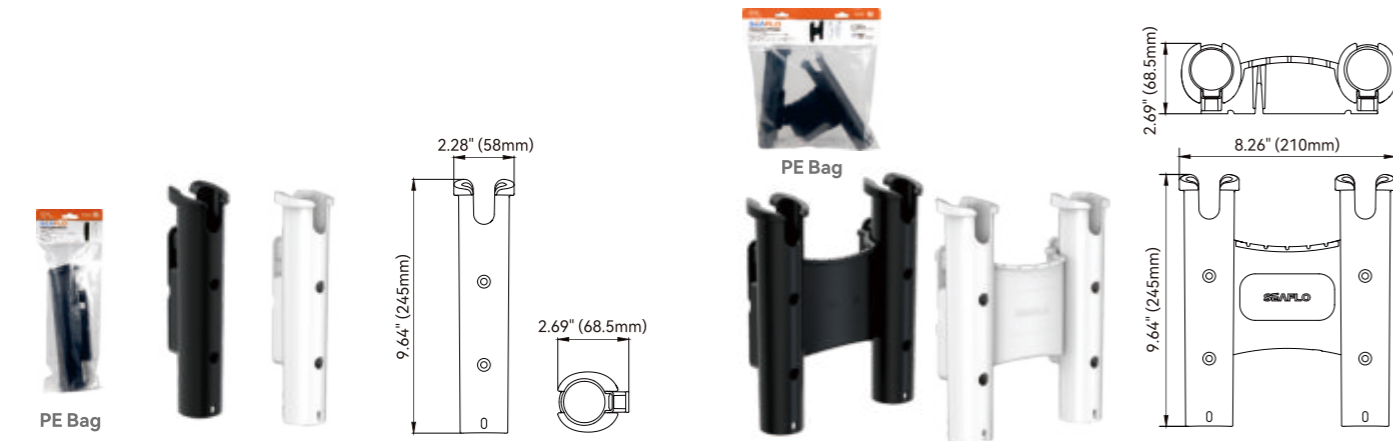
SFTV3-1125-02

Model	Size	A (mm)	B (mm)	C (mm)	D (mm)	Color	Material
SFTV3-0625-02	5/8"	16	48	73	32.8	Black	Body : Nylon+GF Cover :316 Stainless steel
SFTV3-0750-02	3/4"	19.4	48	73	32.8	Black	
SFTV3-1000-02	1"	25.8	48	76	32.8	Black	
SFTV3-1125-02	1-1/8"	29	48	76	32.8	Black	

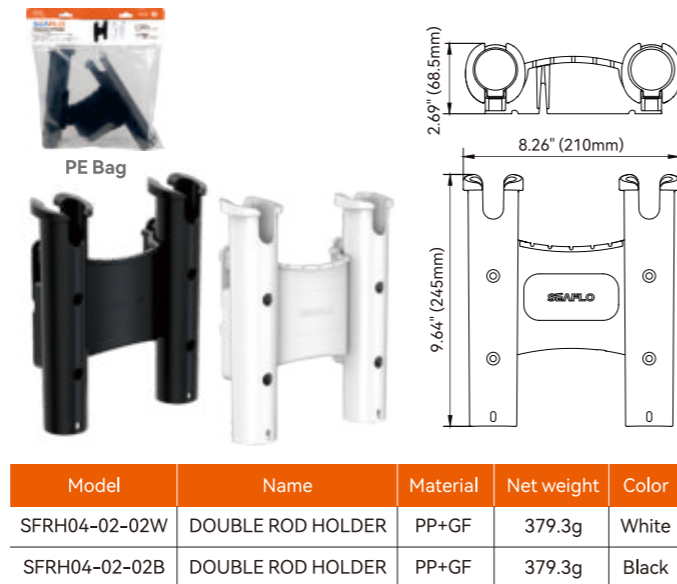
## Fishing Rod Holder

### FEATURES & BENEFITS

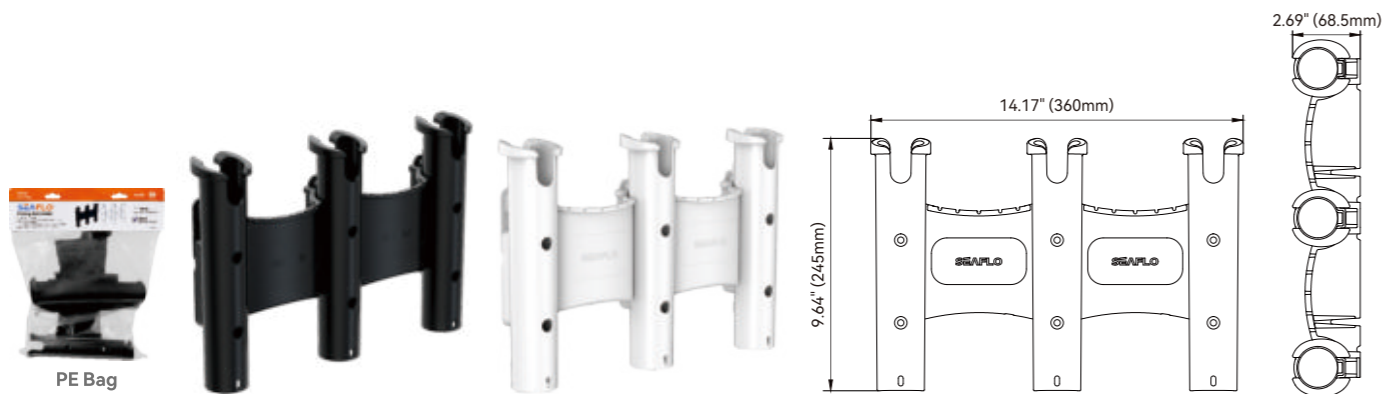
- **Multi-size adaptability:**  
Offering three different sizes, designed for fishing enthusiasts, it can be adapted to various types and sizes of boats to meet the needs of different fishing scenarios.
- **Universal joint pin design:**  
The universal joint pin design effectively prevents the fishing rod from rotating within the tube, protecting the rod while ensuring safe and stable storage.
- **Quick Installation:**  
The installation process is quick and easy, requiring no complex tools and can be completed in a few minutes.
- **Portability and Durability:**  
The material is lightweight, strong, corrosion-resistant and heat-resistant, which ensures the durability under outdoor use; the assembled design is easy to carry to any scene.



Model	Name	Material	Net weight	Color
SFRH04-01-02W	SINGLE ROD HOLDER	PP+GF	145.4g	White
SFRH04-01-02B	SINGLE ROD HOLDER	PP+GF	145.4g	Black



Model	Name	Material	Net weight	Color
SFRH04-02-02W	DOUBLE ROD HOLDER	PP+GF	379.3g	White
SFRH04-02-02B	DOUBLE ROD HOLDER	PP+GF	379.3g	Black

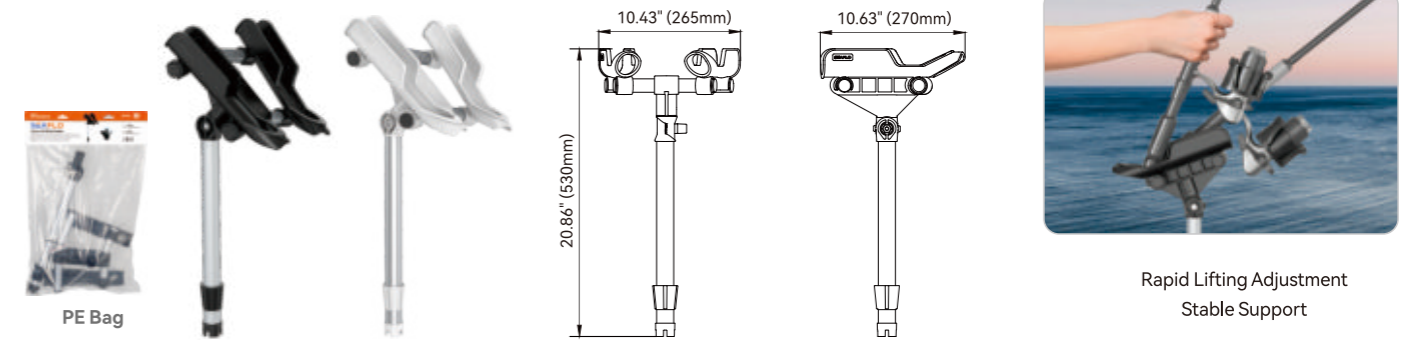


Model	Name	Material	Net weight	Color
SFRH04-03-02W	3-RACKROD HOLDER	PP+GF	613.2g	White
SFRH04-03-02B	3-RACKROD HOLDER	PP+GF	613.2g	Black

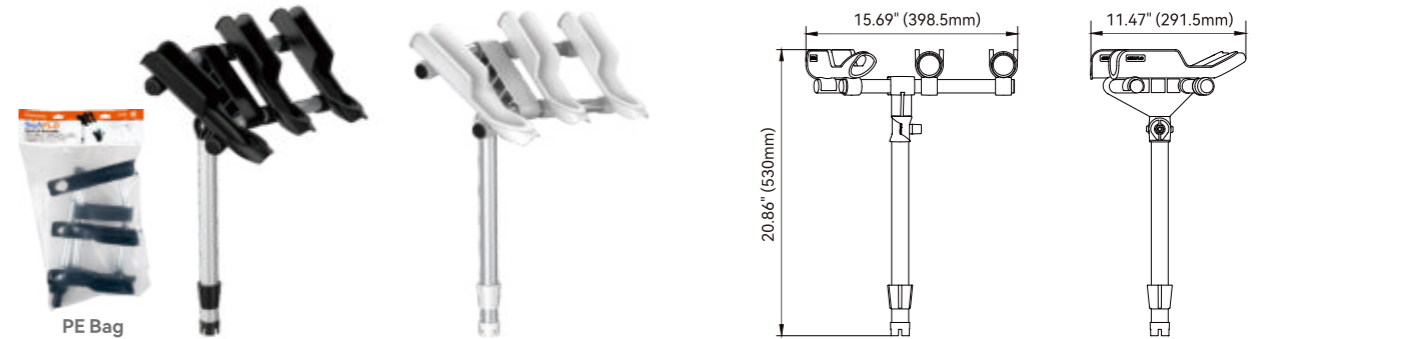
## Quick Lift Rod Holder

### FEATURES & BENEFITS

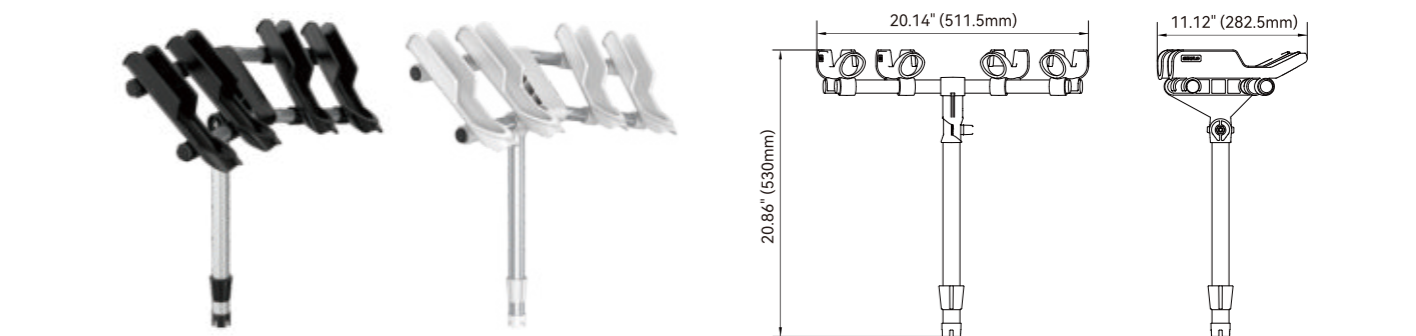
- **Rapid Lifting Adjustment:** Realize the rapid adjustment of the height of the fishing rod, adapt to different fishing needs.
- **Stable Support:** Provides stable support to ensure the rod is stable and does not shake.
- **Portable and easy to install:** compact design, easy to carry to various fishing locations, easy and quick to install.
- **Broad adaptability:** Integrates support, adjustment, and protection, catering to diverse fishing environments and fulfilling varied demands.



Model	Name	Material	Net weight	Color
SFRH06-02-01W	2 in 1 Rod Holder Mount	PP+Al	972g	White + aluminum
SFRH06-02-01B	2 in 1 Rod Holder Mount	PP+Al	972g	Black + aluminum



Model	Name	Material	Net weight	Color
SFRH06-03-01W	3 in 1 Rod Holder Mount	PP+Al	1232g	White + aluminum
SFRH06-03-01B	3 in 1 Rod Holder Mount	PP+Al	1232g	Black + aluminum



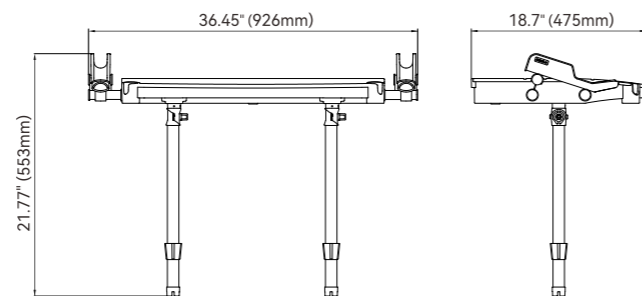
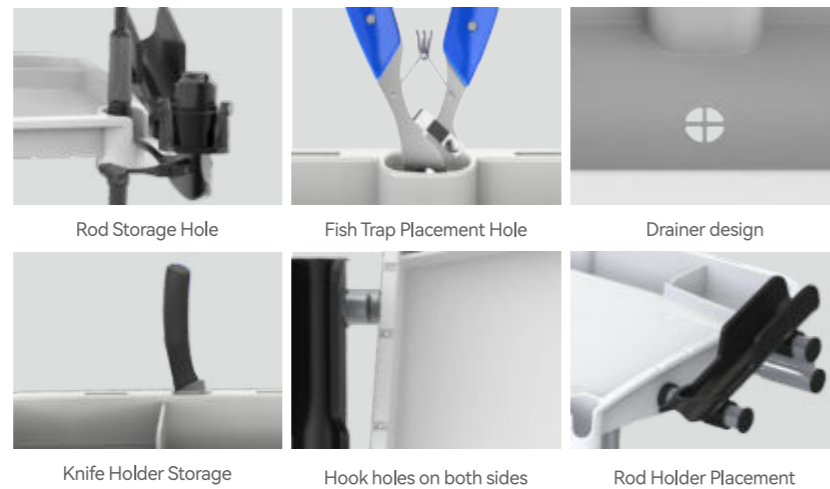
Model	Name	Material	Net weight	Color
SFRH06-04-01W	4-in-1 Rod Holder Mount	PP+Al	1467.5g	White + aluminum
SFRH06-04-01B	4-in-1 Rod Holder Mount	PP+Al	1467.5g	Black + aluminum



### Bait & Fillet Table

#### FEATURES & BENEFITS

- One-piece molded polypropylene material
- Multi-functional storage
- Easy to disassemble design
- Enhanced practicality
- Hook hole on the left side
- Drainage holes for efficient water drainage
- Incorporate placement holes for fish grippers and knife slots
- Provide fishing rod holder storage compartments and rod storage holes on both sides

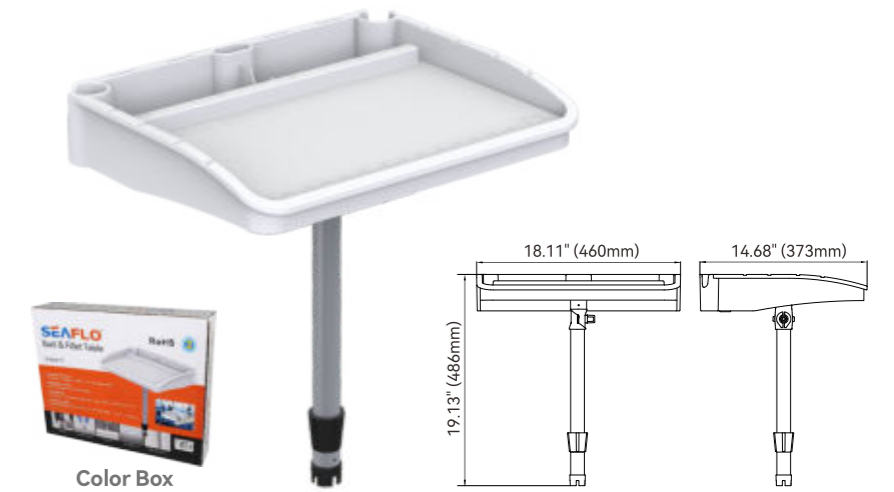


Model	Name	Material	Net weight	Color
SFBCB-02	Large Bait Table	PP+GF	4792g	White + Aluminum

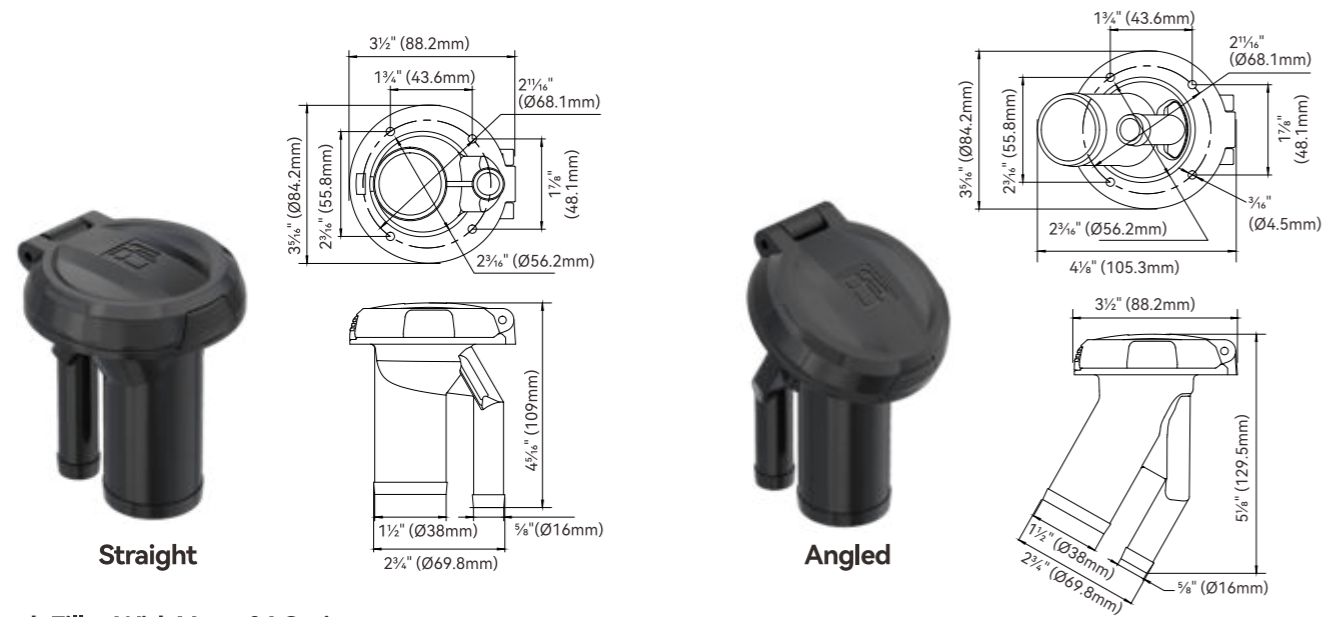
### Bait & Fillet Table

#### FEATURES & BENEFITS

- One-piece molded polypropylene material
- Multi-functional storage
- Easy to disassemble design
- Enhanced practicality
- Hook hole on the left side
- Drainage holes for efficient water drainage
- Incorporate placement holes for fish grippers and knife slots



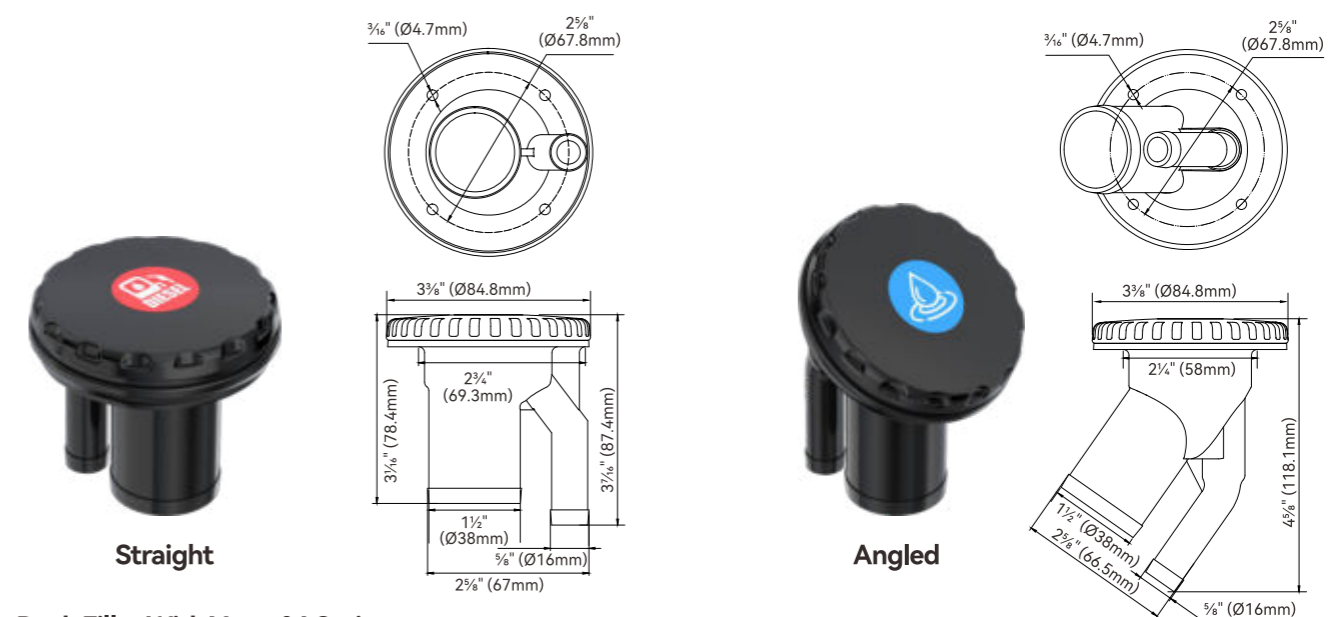
Model	Name	Material	Net weight	Color
SFBCB-01	Small Bait Table	PP+GF	2342g	White + Aluminum



### Deck Filler With Vent, 04 Series

Fits standard 1-1/2" fuel fill hose and 5/8" vent hose Includes rubber O-ring to prevent leakage of fuel or water

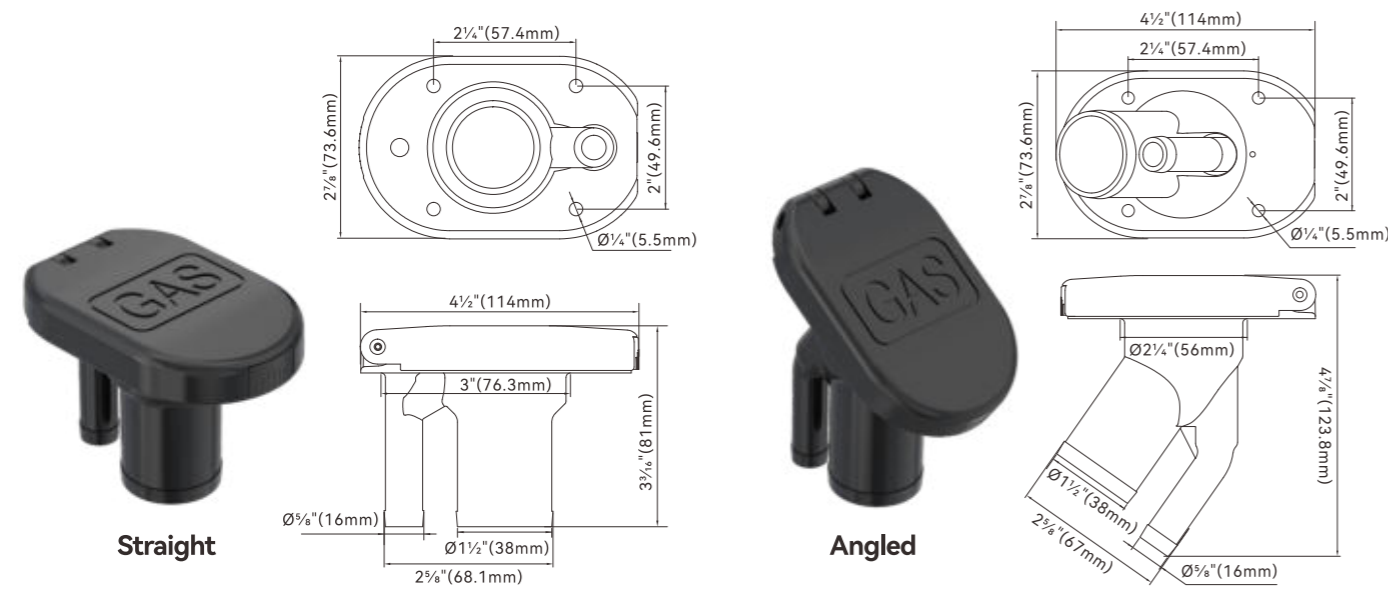
Model	SFCG2-38-04	SFCD2-38-04	SFCW2-38-04	SFCG2-38-04A	SFCD2-38-04A	SFCW2-38-04A
Body :	Straight			Angled		
Type :	Gas <sup>2</sup>	Diesel <sup>2</sup>	Water	Gas <sup>2</sup>	Diesel <sup>2</sup>	Water
Fill Hose Size :	1-1/2" (38mm)					
Vent Hose Size :	5/8" (16mm)					
Mounting Hole Size :	2-3/4" x 2-3/16" (69.8 x 56.2mm)					
Material :	PA66+33%GF					



### Deck Filler With Vent, 06 Series

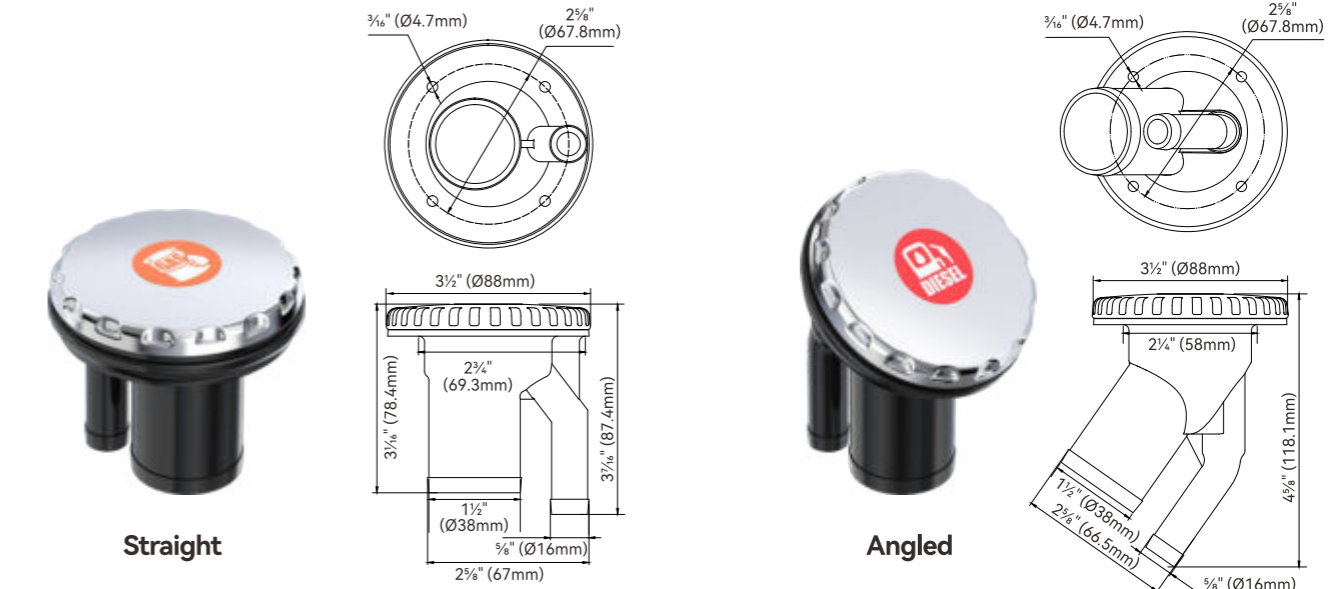
Fits standard 1-1/2" fuel fill hose and 5/8" vent hose

Model	SFCG2-38-06	SFCD2-38-06	SFCW2-38-06	SFCG2-38-06A	SFCD2-38-06A	SFCW2-38-06A
Body :	Straight			Angled		
Type :	Gas <sup>2</sup>	Diesel <sup>2</sup>	Water	Gas <sup>2</sup>	Diesel <sup>2</sup>	Water
Fill Hose Size :	1-1/2" (38mm)					
Vent Hose Size :	5/8" (16mm)					
Mounting Hole Size :	1-1/4" x 2-1/4" (32x57mm)					
Material :	PA66+33%GF					



### Deck Filler With Vent, 05 Series

Model	SFCG2-38-05	SFCG2-38-05A
Body :	Straight	Angled
Type :	Gas <sup>2</sup>	
Fill Hose Size :	1-1/2" (38mm)	
Vent Hose Size :	5/8" (16mm)	
Mounting Hole Size :	3/4" x 2-1/16" (17x52.5mm)	
Material :	PA66+33%GF	



### Deck Filler With Vent, 06 series (SUS 316 Cover)

Model	SFCG3-38-06	SFCD3-38-06	SFCW3-38-06	SFCG3-38-06A	SFCD3-38-06A	SFCW3-38-06A
Body :	Straight			Angled		
Type :	Gas <sup>2</sup>	Diesel <sup>2</sup>	Water	Gas <sup>2</sup>	Diesel <sup>2</sup>	Water
Fill Hose Size :	1-1/2" (38mm)					
Vent Hose Size :	5/8" (16mm)					
Mounting Hole Size :	1-1/4" x 2-1/4" (32x57mm)					
Material :	SUS316+PA66+33%GF					

### Water Deck Filler Caps



**SFCW1-01**

Hose Ø: 1.5"(38mm)  
Material: plastic  
Color: White



**SFCW2-01**

Hose Ø: 1.5"(38mm)  
Material: plastic  
Color: Black

### Fuel Deck Filler Caps



**SFCF1-01**

Hose Ø: 1.5"(38mm)  
Material: plastic  
Color: White



**SFCF2-01**

Hose Ø: 1.5"(38mm)  
Material: plastic  
Color: Black

### Water Inlet

SEAFLO Water Inlet is used for fresh water system and it is constructed with UV stabilized plastic. There are a check valve inside and different model have different features.

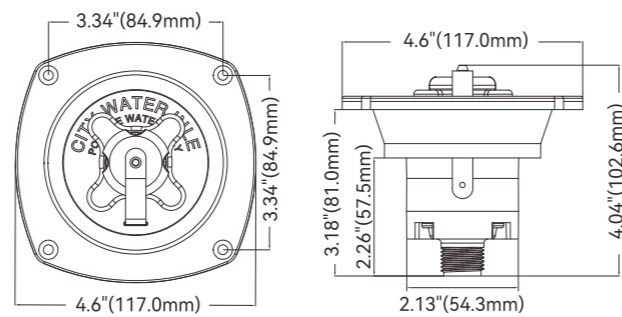
### Water Inlet Pressure Reducing Valve

**FEATURES & BENEFITS**

- Continuous protection from high pressure surges
- Constructed With Uv Stabilized Plastic
- Quick, permanent wall mount installation
- Fits standard hose fittings
- Built In Check Valve
- Outlet Pressure: 50psi
- Inlet Pressure: 125psi Max



Blister

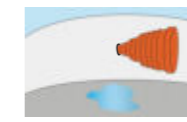


Model	Description	Color
SFW1-04	Water Inlet	White
SFW2-04	Water Inlet	Black
SFW3-04	Water Inlet	Chrome

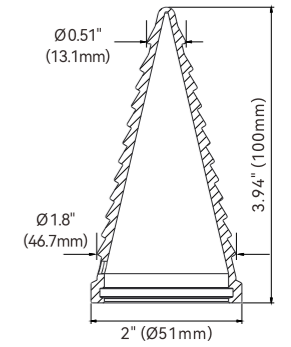
### Boat Emergency Plug

**FEATURES & BENEFITS**

- Made from high-strength elastomer composites
- Will not tear, mold or swell
- Swiftly plugs hull breach holes and hoses
- Small and compact
- 2-Pack



**SFEP-01**  
Applicable aperture  
0.51in(13.1mm)-1.8in(46.7mm)



### Fold-up Adjustable Drink Holder

SEAFLO Fold-Up Adjustable Drink Holder for RVs, cars, trucks, boats, cans etc, help prevent spills and mounts quickly and easily. This holder features arms that easily adjust to hold almost any size bottle, can or mug. Folds up for compact storage. It easily mounts with tapes or screws.

**FEATURES & BENEFITS**

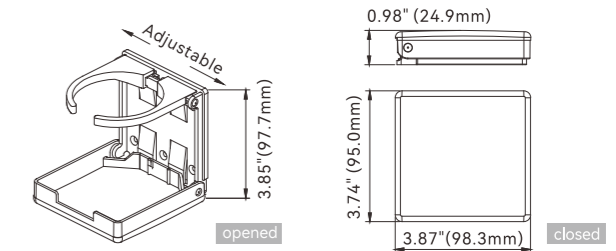
- Easily adjust to hold almost any size bottle, can or mug
- Mounts with tapes or screws
- Folds up for compact storage



Industry Carton



Blister



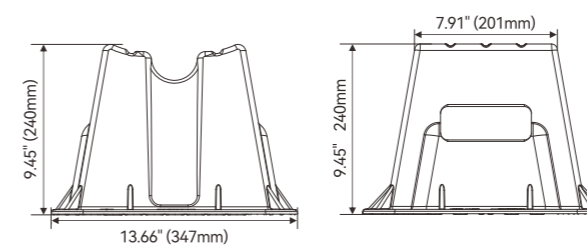
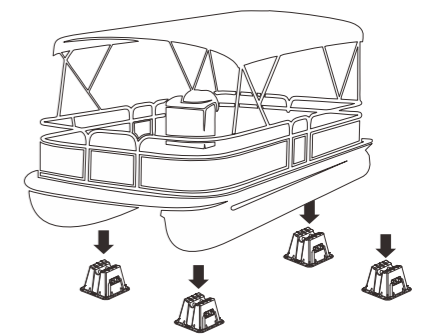
Model	Size	Color
SFTS1-01	3.87"x3.74"x3.85"(98.3x95x97.7mm)	White
SFTS2-01	3.87"x3.74"x3.85"(98.3x95x97.7mm)	Black

### Pontoon Storage Blocks

SEAFLO Pontoon Storage Blocks are a must have for long-term, winter or fall storage of your pontoon. Their rugged design keeps your pontoon high off the ground and dry to preserve the lifetime of your hull. Each block is capable of holding 4,000 lbs, for a total holding capacity of 16,000 lbs among the 4 blocks.

**FEATURES & BENEFITS**

- Keeps Your Pontoon Hull High and Dry off of the Ground
- Designed for Ultimate Strength and Contoured to your Pontoon Hull
- Specially Formulated Anti-Ultraviolet, Chemical Resistant and Impact Resistant Composite Material
- Great for Fall and Winter Pontoon Storage
- Stacking Fitment Design for Easy Storage
- 4 Blocks are Included in Each Box

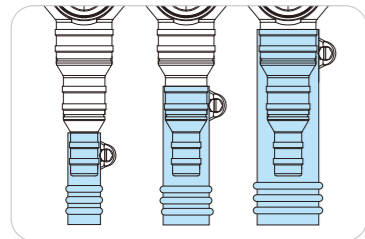


Color Box

Model	Description	Dimensions
SFPSB-04-01	Pontoon Storage Blocks, set of four	13-1/2" x 13-1/2" x 9-1/2"

## Non-return Valves

The check valve has a simple structure, can effectively prevent water from flowing back, and is made of high-quality materials with good sealing performance and high reliability. The middle connecting part can be unscrewed and is easy to use. There are two styles: in-line and 90 degrees. Different models make the check valve suitable for various types of water pumps, pipeline systems and other application scenarios, and have a wide range of applications.



Multiple Hose Size Compatibility

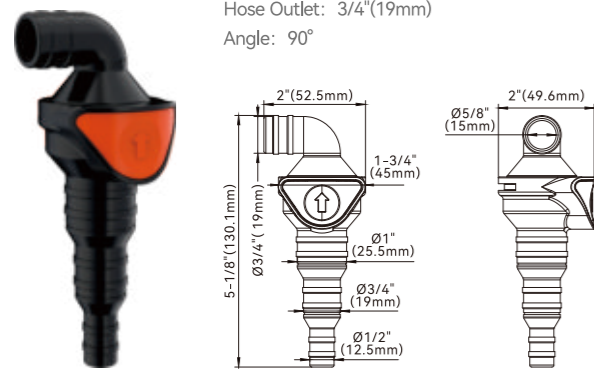


Blister



### SFENV1-W075-01

Hose Inlet: 1/2" or 3/4" or 1"(12.5 or 19 or 25.5mm)  
Hose Outlet: 3/4"(19mm)  
Angle: 90°



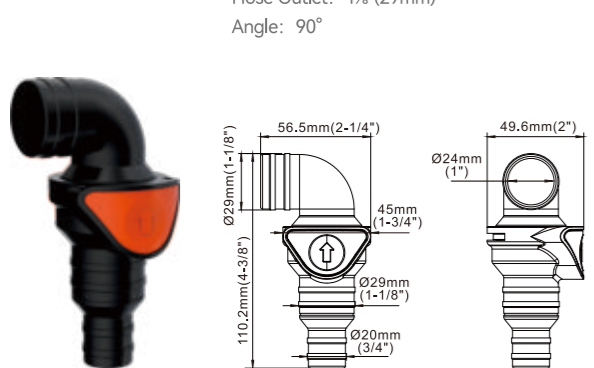
### SFENV1-W100-01

Hose Inlet: 1/2" or 3/4" or 1"(12.5 or 19 or 25.5mm)  
Hose Outlet: 1"(25.5mm)  
Angle: 90°



### SFENV1-W112-01

Hose Inlet: 3/4" or 1"(20 or 29mm)  
Hose Outlet: 1/2"(29mm)  
Angle: 90°



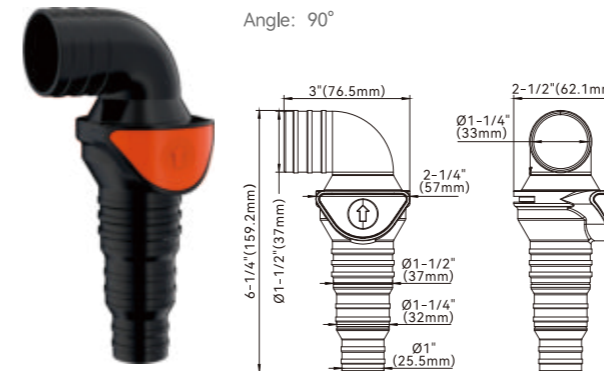
### SFENV1-W125-01

Hose Inlet: 1" or 1 1/4" or 1 1/2"(25.5 or 32 or 37mm)  
Hose Outlet: 1/2"(32mm)  
Angle: 90°



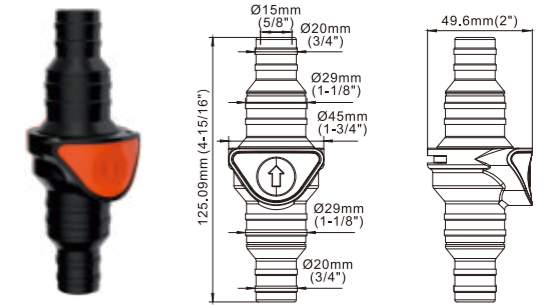
### SFENV1-W150-01

Hose Inlet: 1" or 1 1/4" or 1 1/2"(25.5 or 32 or 37mm)  
Hose Outlet: 1/2"(37mm)  
Angle: 90°



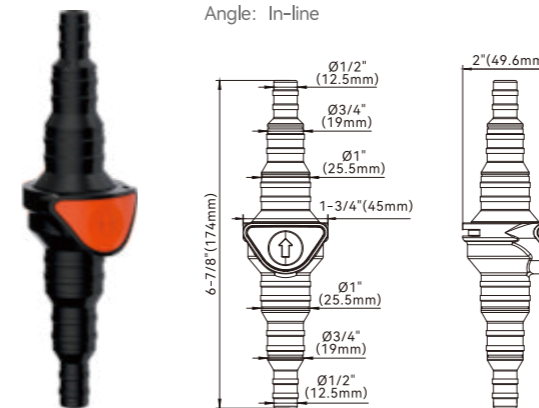
### SFINV1-Z112-01

Hose Inlet: 3/4" - 1"(20-29mm)  
Hose Outlet: 3/4" - 1"(20-29mm)  
Angle: In-line



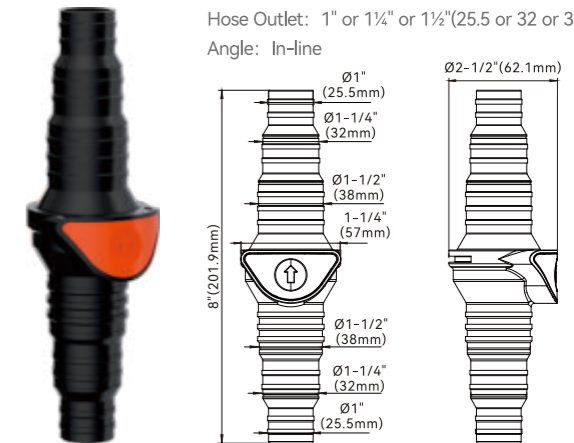
### SFINV1-Z100-01

Hose Inlet: 1/2" or 3/4" or 1"(12.5 or 19 or 25.5mm)  
Hose Outlet: 1/2" or 3/4" or 1"(12.5 or 19 or 25.5mm)  
Angle: In-line



### SFINV1-Z150-01

Hose Inlet: 1" or 1 1/4" or 1 1/2"(25.5 or 32 or 38mm)  
Hose Outlet: 1" or 1 1/4" or 1 1/2"(25.5 or 32 or 38mm)  
Angle: In-line



## Hose Clamps

Seaflo hose repair clamp kit is ideal for corrosive applications or applications exposed to moisture or water. Stainless steel surface can prevent hose corrosion. It is very suitable for pipeline maintenance. This clamp provides a durable and low-maintenance solution.

### FEATURES & BENEFITS

- Engraved with dimension data for easy reference
- 304 stainless steel for lasting durability
- Excellent rust resistance
- Features versatile use with hoses made from a variety of different materials



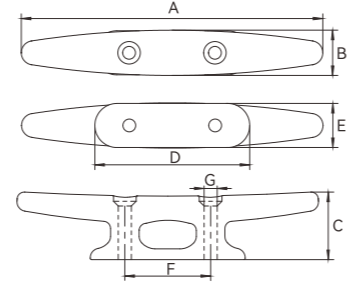
Model	Size	Material
SFHC-01	5/8 ~ 1" (16~25mm)	304 stainless steel
SFHC-02	3/4 ~ 1-1/8" (19~29mm)	304 stainless steel
SFHC-03	4/5 ~ 1-1/2" (21~38mm)	304 stainless steel
SFHC-04	1 ~ 2" (27~51mm)	304 stainless steel
SFHC-05	1-1/2 ~ 2-1/2" (40~63mm)	304 stainless steel

### Nylon Cleats

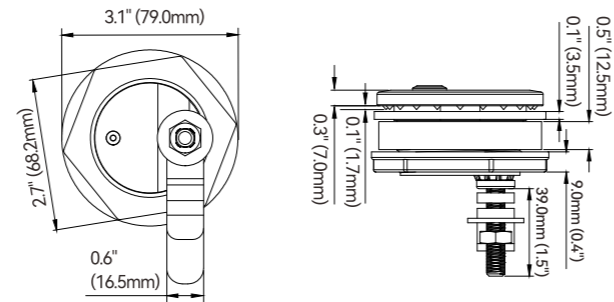
- Highly durable
- Excellent tensile properties
- Easy installation
- Wide range of applications



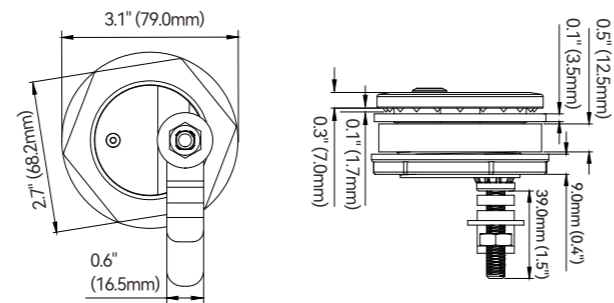
Model	Size	A(mm)	B(mm)	C(mm)	D(mm)	E(mm)	F(mm)	G(mm)
SFNC-01	3"	76	13	21	47	13	28	Φ4.5
SFNC-02	4"	101	16	25	50	16	30	Φ4.5
SFNC-03	5"	127	19	28	65	18.5	36	Φ5.5
SFNC-04	6"	152	23	36	73	23	42	Φ6.8
SFNC-05	8"	203	26.5	43	100	26	49	Φ6.8



### Flush Latch Locking

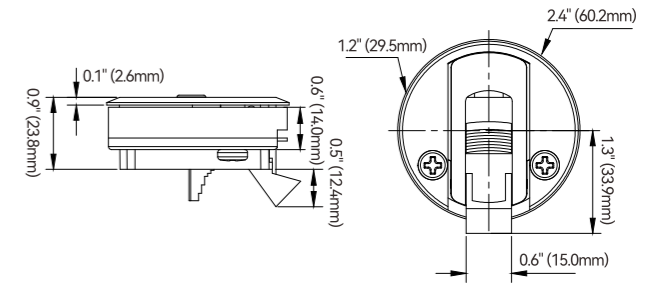


Model	Mounting Hole Diameter	For Mounting Surfaces	Face Plate Diameter	Lock	Color
SFFL1-01	2-1/2"	3/8" to 7/8"	2-9/10"	Yes	White
SFFL2-01	2-1/2"	3/8" to 7/8"	2-9/10"	Yes	Black

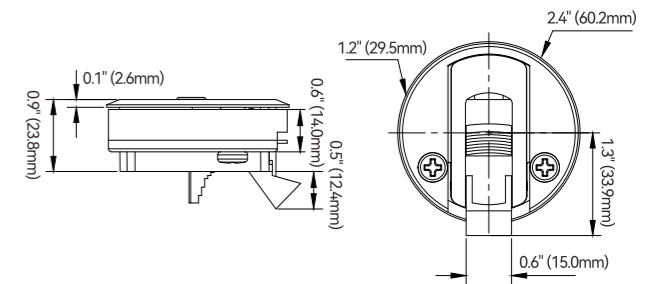


Model	Mounting Hole Diameter	For Mounting Surfaces	Face Plate Diameter	Lock	Color
SFFP1-01	2-1/2"	3/8" to 7/8"	2-9/10"	No	White
SFFP2-01	2-1/2"	3/8" to 7/8"	2-9/10"	No	Black

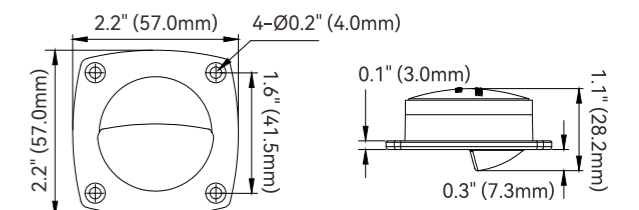
### Flush Latch Locking



Model	Mounting Hole Diameter	For Mounting Surfaces	Face Plate Diameter	Lock	Color
SFFL1-02	2"	1/12" to 1/2"	2-4/11"	Yes	White
SFFL2-02	2"	1/12" to 1/2"	2-4/11"	Yes	Black



Model	Mounting Hole Diameter	For Mounting Surfaces	Face Plate Diameter	Lock	Color
SFFP1-02	2"	1/12" to 1/2"	2-4/11"	Yes	White
SFFP2-02	2"	1/12" to 1/2"	2-4/11"	Yes	Black



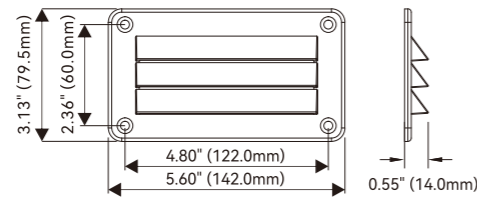
Model	Mounting Hole Diameter	For Mounting Surfaces	Lock	Color
SFFP1-03	1-3/4"	2-1/4" X 2-1/4"	No	White
SFFP2-03	1-3/4"	2-1/4" X 2-1/4"	No	Black

## Dent Vent

SEAFLO Dent Vent is use for a quick and easy way to repair the minor damage of boat body and keep the original look; which are made of UV stabilized plastic and combine multiple vents to cover larger damage areas.

### FEATURES & BENEFITS

- Keep the original look
- Made of UV resistant ABS
- There are 3 sizes available
- A quick and easy way to repair the minor damage of boat body
- Save expensive maintenance costs
- Combine multiple vents to cover larger damage areas

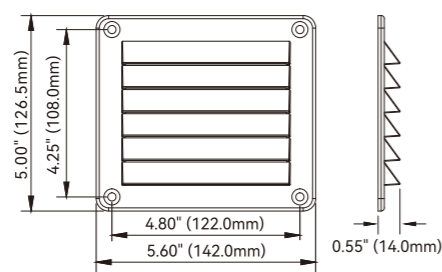


Blister



Industry Carton

Model	L	H	Color
SFDV1-140-79-01	5.60"(142.0mm)	3.13"(79.5mm)	White
SFDV2-140-79-01	5.60"(142.0mm)	3.13"(79.5mm)	Black

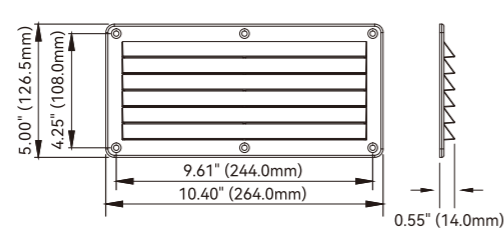


Blister



Industry Carton

Model	L	H	Color
SFDV1-140-125-02	5.60"(142.0mm)	5.00"(126.5mm)	White
SFDV2-140-125-02	5.60"(142.0mm)	5.00"(126.5mm)	Black



Blister



Industry Carton

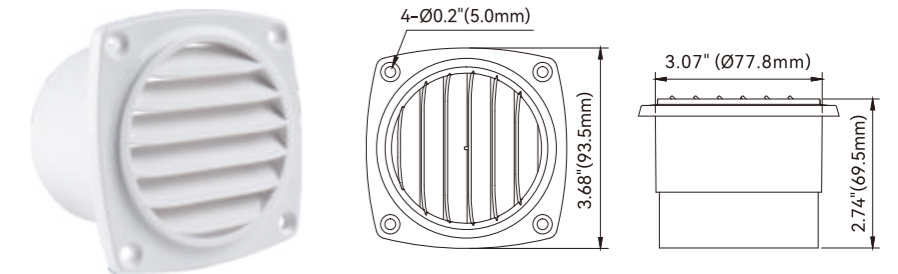
Model	L	H	Color
SFDV1-260-125-03	10.40"(264.0mm)	5.00"(126.5mm)	White
SFDV2-260-125-03	10.40"(264.0mm)	5.00"(126.5mm)	Black

## Round Louver Air Vent

SEAFLO Round Louvre air vent is made of high quality ABS, Diameter 77.8 mm, ducting height 69.5 mm, Wall mounted or ceiling mounted, perfect for RV, boat or room exhaust and ventilation use.

### FEATURES & BENEFITS

- 69.5 mm Ducting Fitting Size
- High-Quality ABS Plastic
- Simple To Fit
- Designed To Cover Wall Or Ceiling Openings And Ducting Vents



Blister



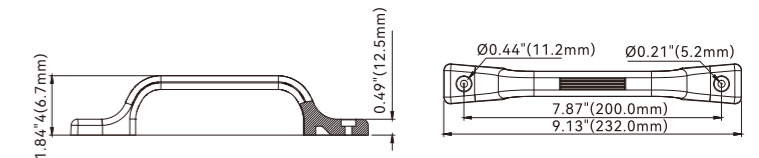
Industry Carton

Model	Size	Color
SFAV1-01	3.68"x3.68"x2.74"(93.5x93.5x69.5 mm)	White
SFAV2-01	3.68"x3.68"x2.74"(93.5x93.5x69.5 mm)	Black

## Grab Handle

### FEATURES & BENEFITS

- SEAFLO Grab Handle designed for safety and convenience
- Easy to install - Fits most RV's, Travel Trailer's, Fifth Wheel Trailers, Campers, Motor Home's, Cargo Trailers and Boats
- Can be mounted vertically or horizontally

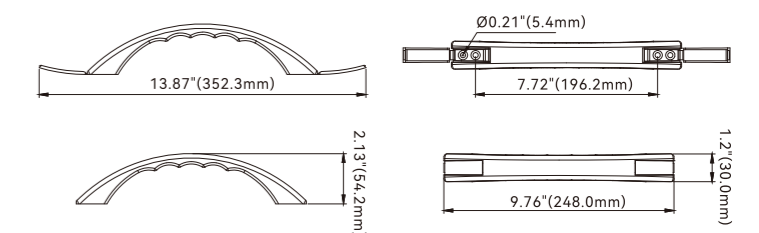


Model	Size	Color	Material
SFDK1-01	9.13"x1.84"x0.49"(232x46.7x12.5mm)	White	PA66
SFDK2-01	9.13"x1.84"x0.49"(232x46.7x12.5mm)	Black	PA66

## Arch Assist Handle

### FEATURES & BENEFITS

- SEAFLO Arch Handle designed in clean styling, shaped to fit your hand for a secure grip
- Easy to install - Fits most RV's, Travel Trailer's, Fifth Wheel Trailers, Campers, Motor Home's, Cargo Trailers and Boats
- Made with All Weather Impact Resistant Polypropylene



Model	Size	Color	Material
SFDK1-02	9.76"x1.2"x2.13"(248x30x54.2mm)	White	PP
SFDK2-02	9.76"x1.2"x2.13"(248x30x54.2mm)	Black	PP

SEAFLO hatches are made of durable ABS or PP with excellent UV, aging, and corrosion resistance. Some models have locks. Reinforced lids feature non-slip textures and durable rubber or EVA seals for waterproofing. They have a compact structure and are easy to install, making them ideal for various boat deck access and inspection applications.

**Hatches**

ABS Anti-aging, Anti-ultraviolet.  
180° opening hatches.  
Easy 'click-in' construction.  
Corrosion free synthetic fittings and durable rubber seals.



Color Box

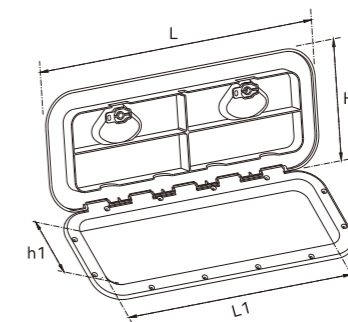
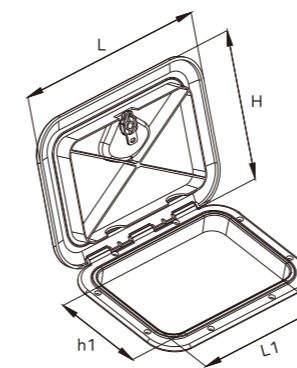


Kraft Box



PLASTIC ACCESSORIES

Model	Size inch	d (mm)	D (mm)	Color
SFRH1-004-01	4	101	143	white
SFRH1-006-01	6	151	198	white
SFRH1-008-01	8	180	250	white



Model	H(mm)	L(mm)	h1(mm)	L1(mm)
SFRE1-270-375-01	270	375	192	291

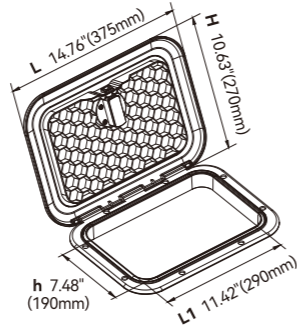
Model	H(mm)	L(mm)	h1(mm)	L1(mm)
SFRE1-243-607-01	243	607	168	525
SFRE1-315-440-01	315	440	240	358
SFRE1-353-606-01	353	606	278	524
SFRE1-370-375-01	370	375	295	295
SFRE1-460-510-01	460	510	383	436



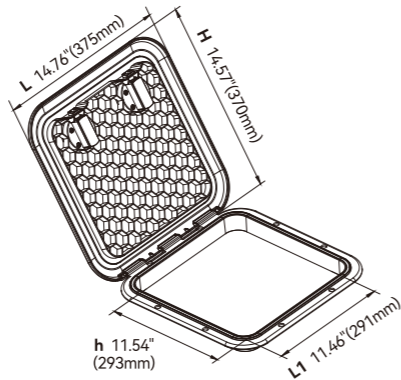
## Deck Hatches

### FEATURES & BENEFITS

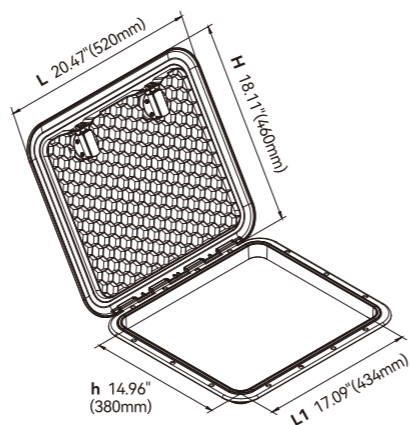
- PP material anti-aging, anti-ultraviolet.
- Upgraded handle for easy access.
- 180° opening hatches with lock and key.
- Reinforced lid with non-skid surface and completely covers the mounting flange.
- Rubber seal ensures weatherproofing when mounted on vertical surfaces.



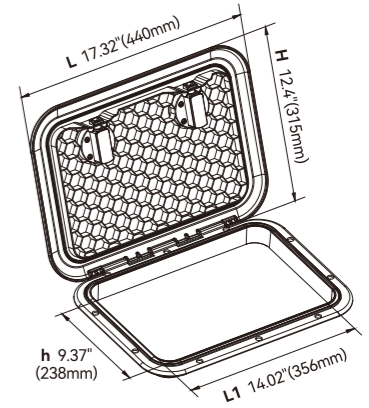
Model	H	L	h	L1	Color
SFRE1-270-375-02	10.63\"(270mm)	14.76\"(375mm)	7.48\"(190mm)	11.42\"(290mm)	White
SFRE2-270-375-02	10.63\"(270mm)	14.76\"(375mm)	7.48\"(190mm)	11.42\"(290mm)	Black



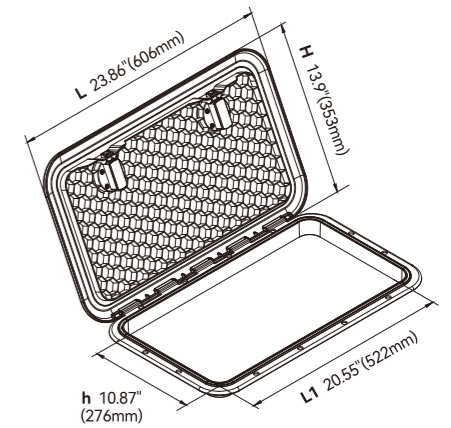
Model	H	L	h	L1	Color
SFRE1-370-375-02	14.57\"(370mm)	14.76\"(375mm)	11.54\"(293mm)	11.46\"(291mm)	White
SFRE2-370-375-02	14.57\"(370mm)	14.76\"(375mm)	11.54\"(293mm)	11.46\"(291mm)	Black



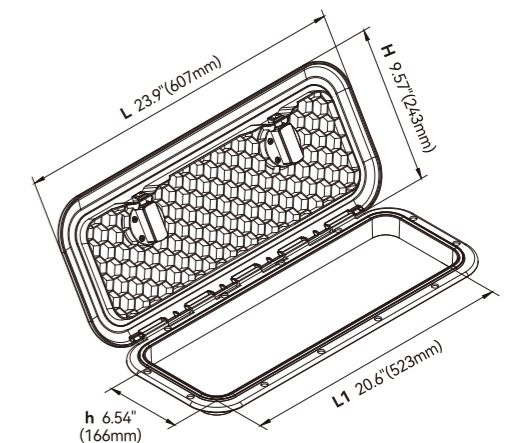
Model	H	L	h	L1	Color
SFRE1-460-510-02	18.11\"(460mm)	20.47\"(520mm)	14.96\"(380mm)	17.09\"(434mm)	White
SFRE2-460-510-02	18.11\"(460mm)	20.47\"(520mm)	14.96\"(380mm)	17.09\"(434mm)	Black



Model	H	L	h	L1	Color
SFRE1-315-440-02	12.4\"(315mm)	17.32\"(440mm)	9.37\"(238mm)	14.02\"(356mm)	White
SFRE2-315-440-02	12.4\"(315mm)	17.32\"(440mm)	9.37\"(238mm)	14.02\"(356mm)	Black



Model	H	L	h	L1	Color
SFRE1-353-606-02	13.9\"(353mm)	23.86\"(606mm)	10.87\"(276mm)	20.55\"(522mm)	White
SFRE2-353-606-02	13.9\"(353mm)	23.86\"(606mm)	10.87\"(276mm)	20.55\"(522mm)	Black



Model	H	L	h	L1	Color
SFRE1-243-607-02	9.57\"(243mm)	23.9\"(607mm)	6.54\"(166mm)	20.6\"(523mm)	White
SFRE2-243-607-02	9.57\"(243mm)	23.9\"(607mm)	6.54\"(166mm)	20.6\"(523mm)	Black

## Round Deck Hatches

PP material anti-corrosive; Anti-aging; Ultraviolet resistant.  
Rotary switch, simple installation and usage.  
Heavy duty lid with non-slip surface.  
4/6/8 inch boat deck plate can be installed vertically and horizontally.



Blister



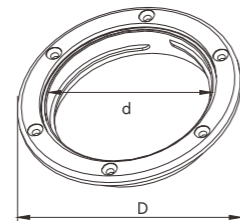
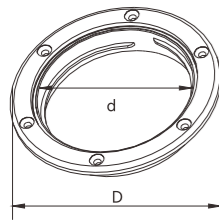
Non-slip surface



Rubber sealing

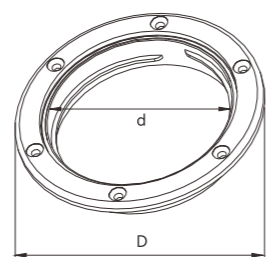
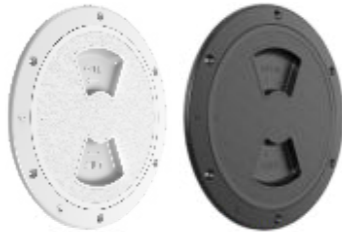
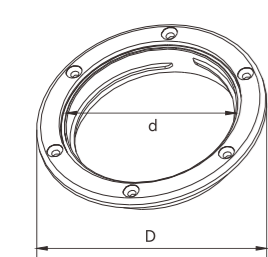


Rotary switch cover



Model	Size	d	D	Color
SFRH1-004-02	4"(101.6mm)	4"(101.6mm)	5.67"(144mm)	white
SFRH2-004-02	4"(101.6mm)	4"(101.6mm)	5.67"(144mm)	Black

Model	Size	d	D	Color
SFRH1-005-02	5"(127mm)	5"(127mm)	6.77"(172mm)	white
SFRH2-005-02	5"(127mm)	5"(127mm)	6.77"(172mm)	Black



Model	Size	d	D	Color
SFRH1-006-02	6"(52.4mm)	6"(52.4mm)	8.07"(205mm)	white
SFRH2-006-02	6"(52.4mm)	6"(52.4mm)	8.07"(205mm)	Black

Model	Size	d	D	Color
SFRH1-008-02	8"(203.2mm)	8"(203.2mm)	10.04"(255mm)	white
SFRH2-008-02	8"(203.2mm)	8"(203.2mm)	10.04"(255mm)	Black

## Hatches

### FEATURES & BENEFITS

- Inspection hatches with removable bag
- ABS/PP Anti-Aging, Ultraviolet Resistant
- Heavy Duty Lid with Non-Slip Surface
- Durable water resistant EVA seal
- Designed for vertical and horizontal applications
- Never turn yellow White hatch is made of PP
- Black hatch is made of ABS
- Engineered for the toughest marine elements
- Easy access, no tools required



Kraft Box



Model	Size	Outside Dia	Inside Dia	Cut Out Dia	Bag for storage
SFRH12-004-02A	4"	138 mm	96 mm	108 mm	No
SFRH12-004-02B	4"	138 mm	96 mm	108 mm	Yes



Model	Size	Outside Dia	Inside Dia	Cut Out Dia	Bag for storage
SFRH12-006-02A	6"	197 mm	153 mm	166 mm	No
SFRH12-006-02B	6"	197 mm	153 mm	166 mm	Yes

- White/black deck plate with pull handle
- Hidden fastener design
- UV and weather resistant ABS/PP material



Model	Size	Outside Dia	Inside Dia	Cut Out Dia	Bag for storage
SFRH12-008-02A	8"	250 mm	204 mm	218 mm	No
SFRH12-008-02B	8"	250 mm	204 mm	218 mm	Yes



Model	Size	Outside Dia	Inside Dia	Cut Out Dia	Bag for storage
SFRH12-008-03A	8.4"	285 mm	214 mm	246 mm	No
SFRH12-008-03B	8.4"	285 mm	214 mm	246 mm	Yes

### Portholes

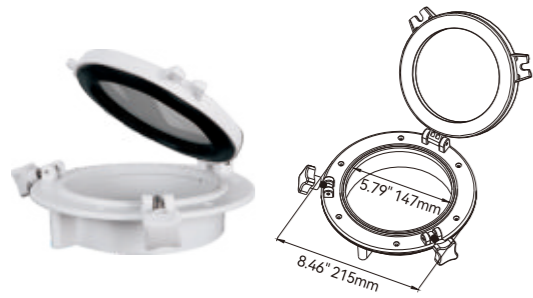
4 mm thickness tempered glass.  
ABS Anti-aging, Anti-ultraviolet.  
Casted and polished 316 stainless steel accessories.  
Easy 'click-in' construction.  
Corrosion free synthetic fittings and durable rubber seals.



Color Box

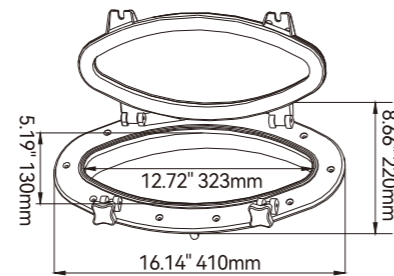


Kraft Box

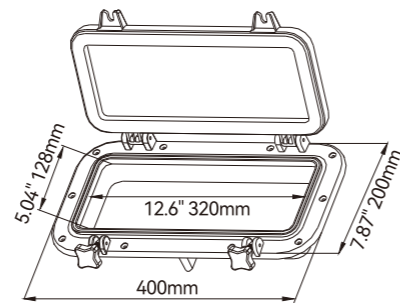


Model	Frame Size	Cut-out Size	Color
SFPP1-01	8.46" (215mm)	5.79" (147mm)	white
SFPP2-01	8.46" (215mm)	5.79" (147mm)	black

Model	Frame Size	Cut-out Size	Color
SFPP1-02	10.43" (265mm)	7.76" (197mm)	white
SFPP2-02	10.43" (265mm)	7.76" (197mm)	black



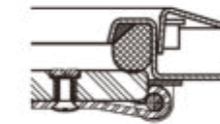
Model	Size	Shape	Color
SFPP1-03	16.14"x8.66" (410x220mm)	Oval shape porthole	white
SFPP2-03	16.14"x8.66" / (410x220mm)	Oval shape porthole	black



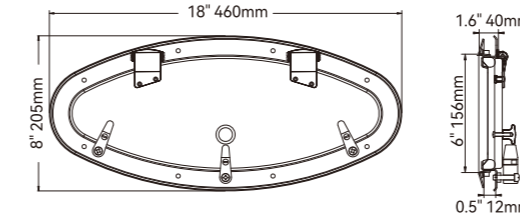
Model	Size	Shape	Color
SFPP1-04	15.75"x7.87" (400x200mm)	Rectangular shape porthole	white
SFPP2-04	15.75"x7.87" (400x200mm)	Rectangular shape porthole	black

### Eyes Shape Portlight

Frame material : #316 Stainless Steel  
Surface Treatment : Mirror Polished  
Glass Material : Acrylic  
Color : Smoke  
Handle Material : Nylon



Portlight Profile



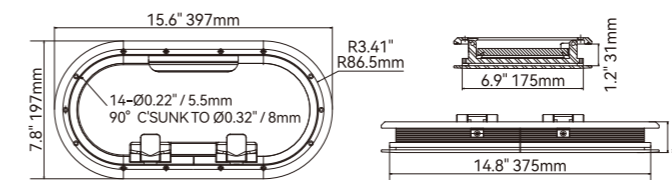
Model	Frame Size	Cut-out Size	Height	Deck Thickness
SFP3-460-03	18"x8" (460x205mm)	16.3"x6" (414x156mm)	1.6" (40mm)	0.5" (12mm)

### Standard Portlight

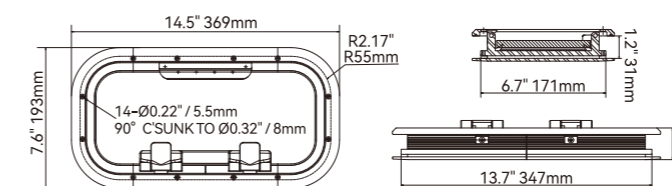
Frame material : Aluminium Alloy  
Surface Treatment : Anodized  
Glass Material : Acrylic  
Handle Material : Nylon



Portlight Profile



Model	Frame Size L*W	Cut-out Size	Height	Deck Thickness	Colour	Geometry
SFP1-397-04	15.6"x7.8" (397x197mm)	14.8"x6.9" (375x175mm)	1.7" (44mm)	1.2" (31mm)	silvery	Oval
SFP2-397-04	15.6"x7.8" (397x197mm)	14.8"x6.9" (375x175mm)	1.7" (44mm)	1.2" (31mm)	Black	Oval



Model	Frame Size L*W	Cut-out Size	Height	Deck Thickness	Colour	Geometry
SFP1-369-05	14.5"x7.6" (369*193mm)	13.7"x6.7" (347x171mm)	1.7" (44mm)	1.2" (31mm)	silvery	Rectangular
SFP2-369-05	14.5"x7.6" (369*193mm)	13.7"x6.7" (347x171mm)	1.7" (44mm)	1.2" (31mm)	Black	Rectangular

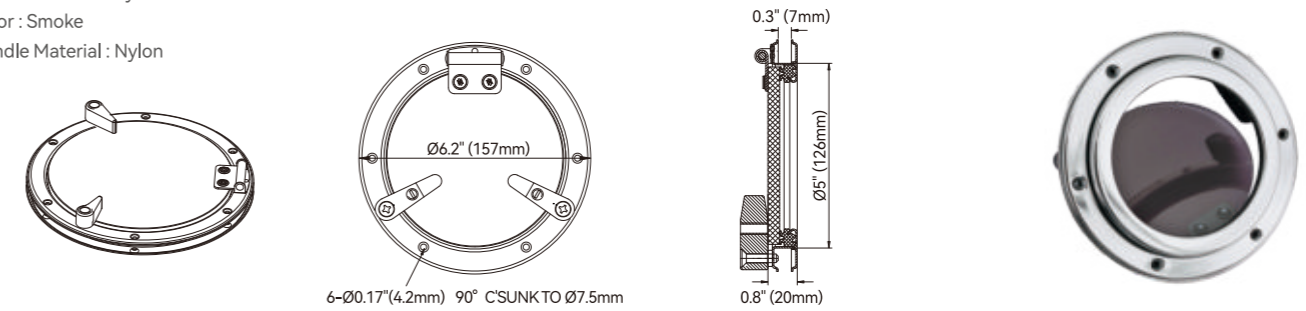
### Round Portlight

Frame material : AISI316  
Surface Treatment :Mirror polishing  
Glass Material : Acrylic  
Color : Smoke  
Handle Material : Nylon

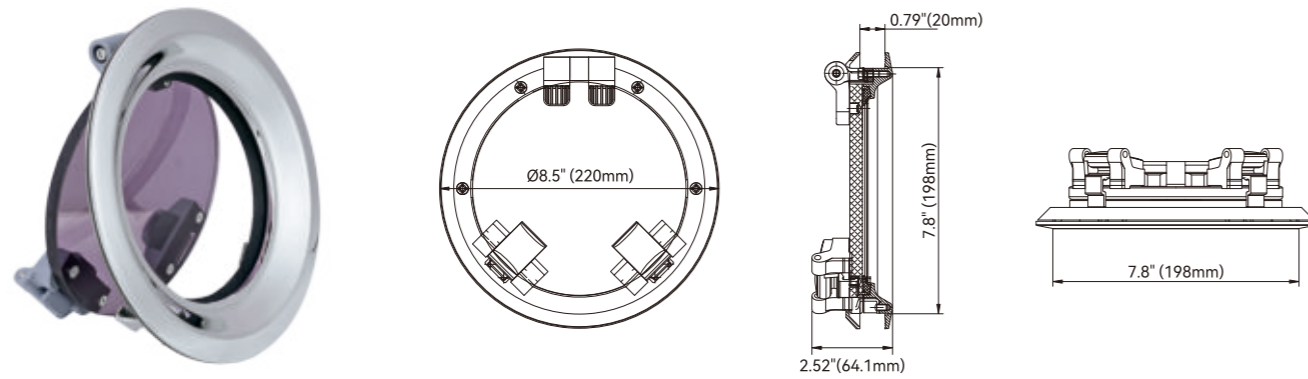


### Round Portlight

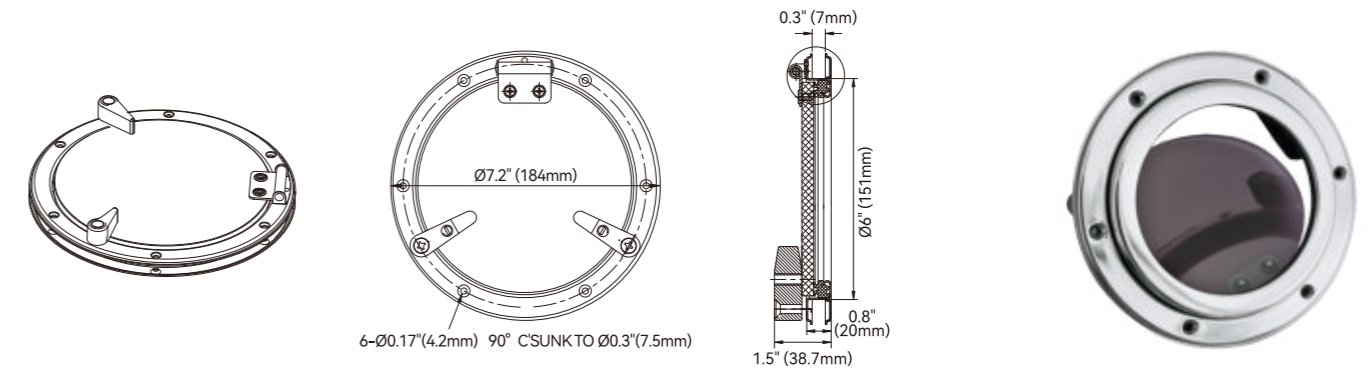
Frame material : #316 Stainless Steel  
Surface Treatment :Mirror Polished  
Glass Material : Acrylic  
Color : Smoke  
Handle Material : Nylon



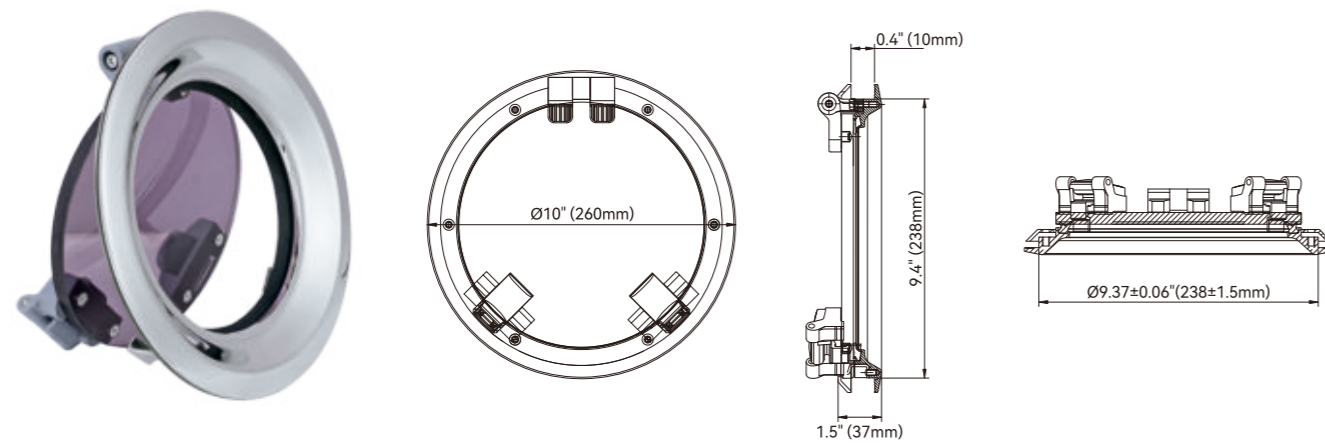
Model	Frame Size	Cut-out Size	Height	Deck Thickness
SFP3-157-02	Ø6.2" (157mm)	Ø5" (126mm)	0.8" (20mm)	0.3" (7mm)



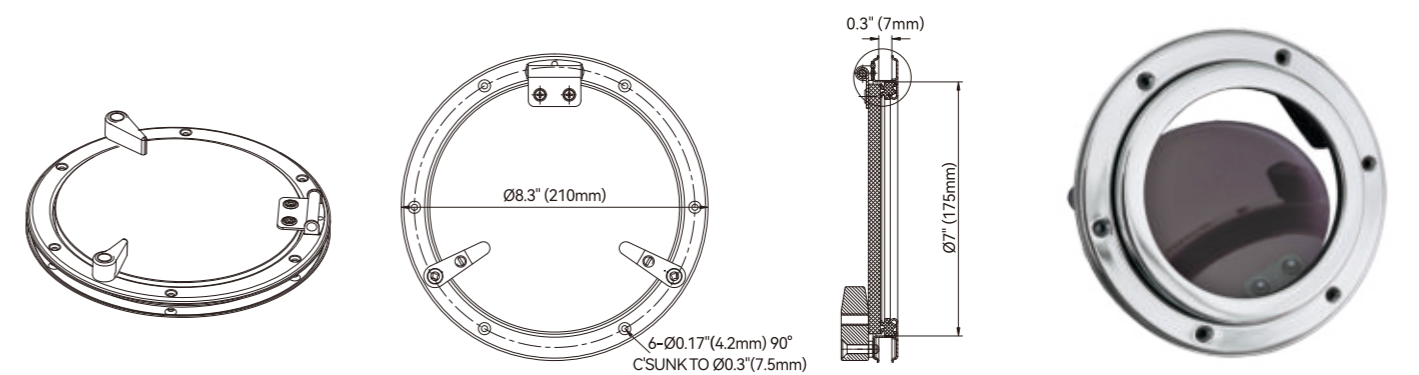
Model	Frame Size	Cut-out Size	Height	Deck Thickness
SFP3-220-01	8.5" (220mm)	7.8" (198mm)	1.5" (37mm)	0.4" (10mm)



Model	Frame Size	Cut-out Size	Height	Deck Thickness
SFP3-184-02	Ø7.2" (184mm)	Ø6" (151mm)	0.8" (20mm)	0.3" (7mm)



Model	Frame Size	Cut-out Size	Height	Deck Thickness
SFP3-260-01	10" (260mm)	9.4" (238mm)	1.5" (37mm)	0.4" (10mm)



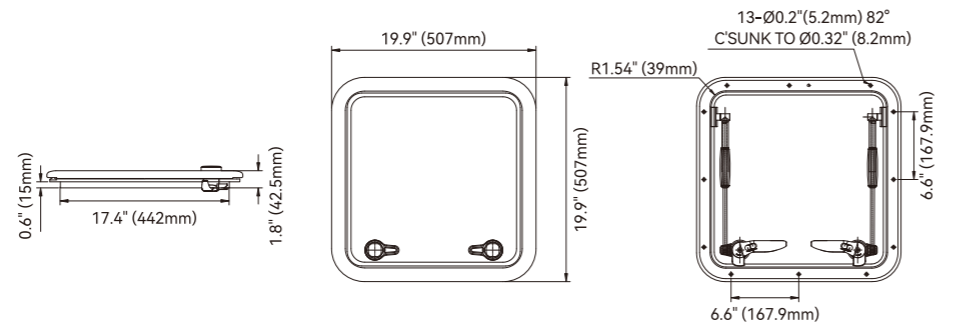
Model	Frame Size	Cut-out Size	Height	Deck Thickness
SFP3-210-02	Ø8.3" (210mm)	Ø7" (175mm)	0.8" (20mm)	0.3" (7mm)

### Square Deck Hatch

Frame material : Aluminium Alloy  
Surface Treatment : Anodized  
Glass Material : Acrylic  
Handle Material : Nylon



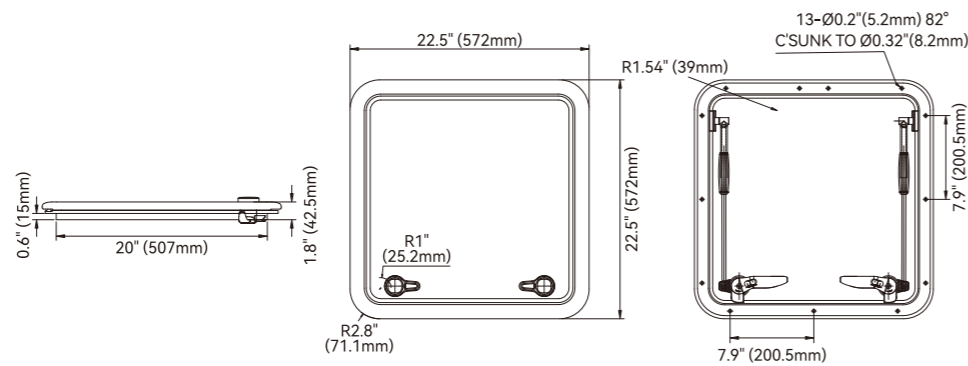
Custom sizes are available



Model	Frame Size	Cut-out Size	Height	Deck Thickness	Colour
SFDH2-507-01	19.9" (507mm)	17.4" (442mm)	1.8" (42.5mm)	0.6" (15mm)	Black



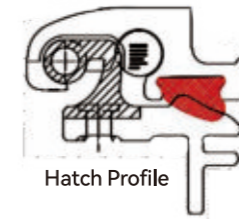
Custom sizes are available



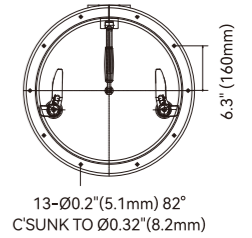
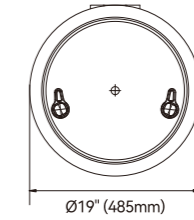
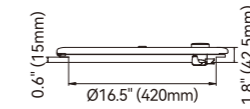
Model	Frame Size	Cut-out Size	Height	Deck Thickness	Colour
SFDH2-572-01	22.5" (572mm)	20" (507mm)	1.8" (42.5mm)	0.6" (15mm)	Black

### Round Deck Hatch

Frame material : Aluminium Alloy  
Surface Treatment : Anodized  
Glass Material : Acrylic  
Handle Material : Nylon



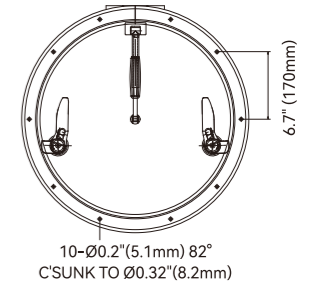
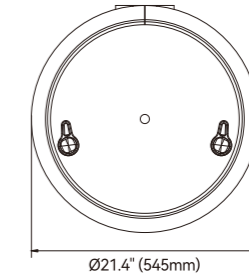
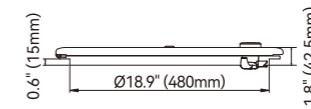
Custom sizes are available



Model	Frame Size	Cut-out Size	Height	Deck Thickness	Colour
SFDH2-485-02	Ø19" (485mm)	Ø16.5" (420mm)	1.8" (42.5mm)	0.6" (15mm)	Black



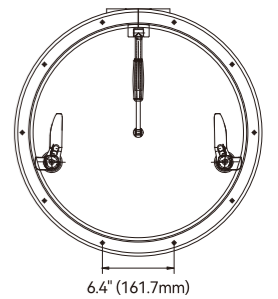
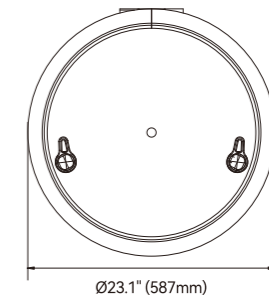
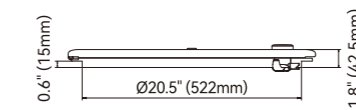
Custom sizes are available



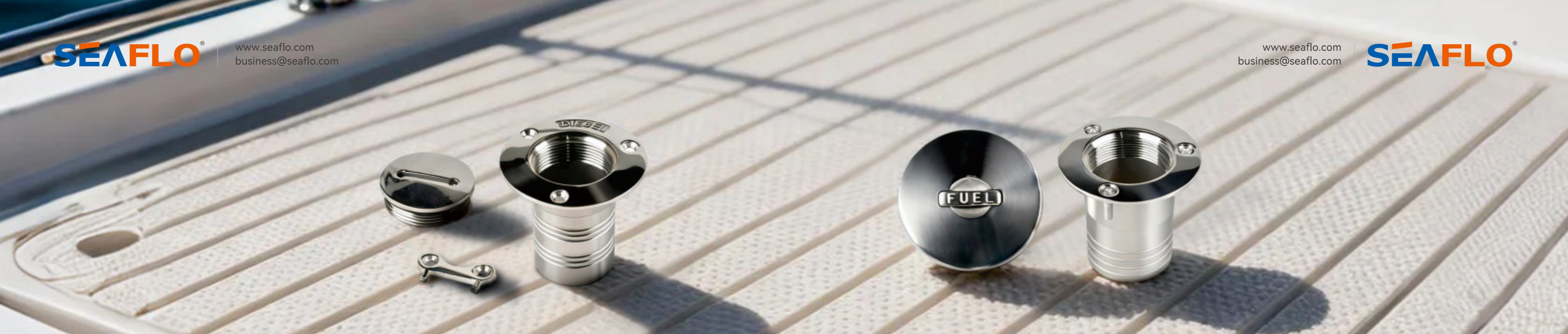
Model	Frame Size	Cut-out Size	Height	Deck Thickness	Colour
SFDH2-545-02	Ø21.4" (545mm)	Ø18.9" (480mm)	1.8" (42.5mm)	0.6" (15mm)	Black



Custom sizes are available



Model	Frame Size	Cut-out Size	Height	Deck Thickness	Colour
SFDH2-587-02	Ø23.1" (587mm)	Ø20.5" (522mm)	1.8" (42.5mm)	0.6" (15mm)	Black



**Deck Filler With Key, AISI 316**



**SFCF-38-02**  
Fuel Deck Filler Caps  
Hose Ø: Fuel-1.5"(38mm)  
Weight: 346.5g  
Material: 316 stainless steels



**SFCF-50-02**  
Fuel Deck Filler Caps  
Hose Ø: Fuel-1.97"(50mm)  
Weight: 524.3g  
Material: 316 stainless steels

**Deck Filler, AISI 316**



**SFCF-38-03**  
Fuel Deck Filler Caps  
Hose Ø: Fuel-1.5"(38mm)  
Weight: 498.5g  
Material: 316 stainless steels



**SFCF-50-03**  
Fuel Deck Filler Caps  
Hose Ø: Fuel-1.97"(50mm)  
Weight: 578.3g  
Material: 316 stainless steels



**SFCD-38-02**  
Diesel Deck Filler Caps  
Hose Ø: Diesel-1.5"(38mm)  
Weight: 346.5g  
Material: 316 stainless steels



**SFCD-50-02**  
Diesel Deck Filler Caps  
Hose Ø: Diesel-1.97"(50mm)  
Weight: 524.3g  
Material: 316 stainless steels



**SFCD-38-03**  
Diesel Deck Filler Caps  
Hose Ø: Diesel-1.5"(38mm)  
Weight: 498.5g  
Material: 316 stainless steels



**SFCD-50-03**  
Diesel Deck Filler Caps  
Hose Ø: Diesel-1.97"(50mm)  
Weight: 578.3g  
Material: 316 stainless steels



**SFCW-38-02**  
Water Deck Filler Caps  
Hose Ø: Water-1.5"(38mm)  
Weight: 346.5g  
Material: 316 stainless steels



**SFCS-38-02**  
Waste Deck Filler Caps  
Hose Ø: Waste-1.5"(38mm)  
Weight: 346.5g  
Material: 316 stainless steels

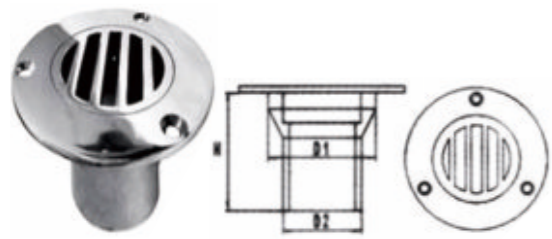


**SFCW-38-03**  
Water Deck Filler Caps  
Hose Ø: Water-1.5"(38mm)  
Weight: 498.5g  
Material: 316 stainless steels



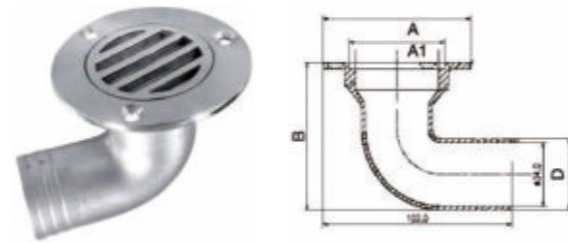
**SFCS-38-03**  
Waste Deck Filler Caps  
Hose Ø: Waste-1.5"(38mm)  
Weight: 578.3g  
Material: 316 stainless steels

### #316 Cockpit Drain



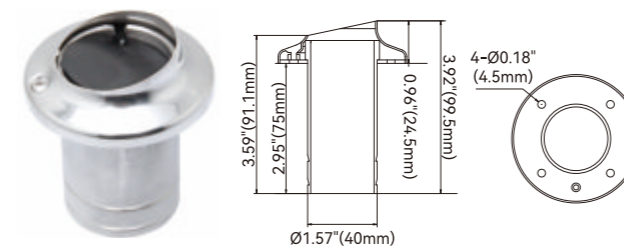
Model	H	D	C	Weight
SFC01	2.37"(60.1mm)	2"(50mm)	2"(50mm)	339.2g

### #316 Angle Cockpit Drain

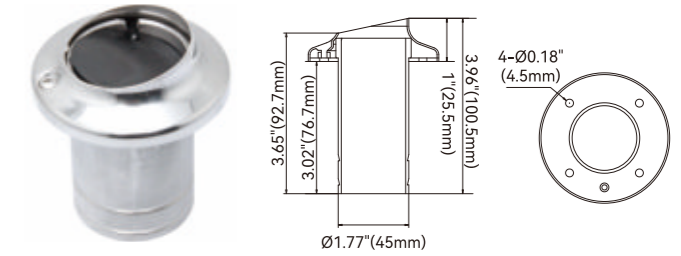


Model	A	A1	B	D	Weight
SFC02	3.15"(80mm)	2"(50mm)	3.11"(79mm)	1.5"(38mm)	399g

### Transom Exhaust Pipe, AISI 316

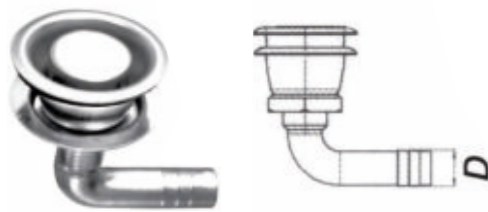


Model	Size	Weight
SFEP40-01	1.57"(40mm)	237.5g



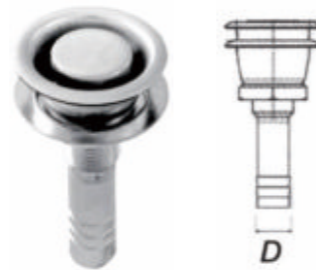
Model	Size	Weight
SFEP45-01	1.77"(45mm)	271.7g

### #316 Tank Ventilator, Angle

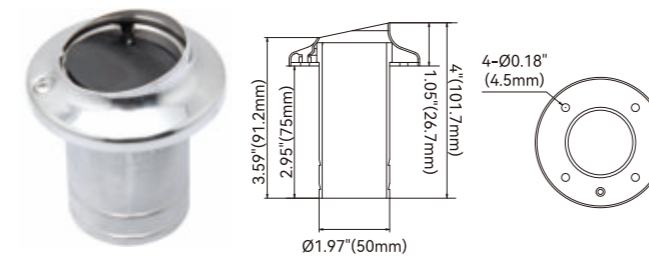


Model	Size	Weight
SFTV01	5/8"(16mm)	127.9g

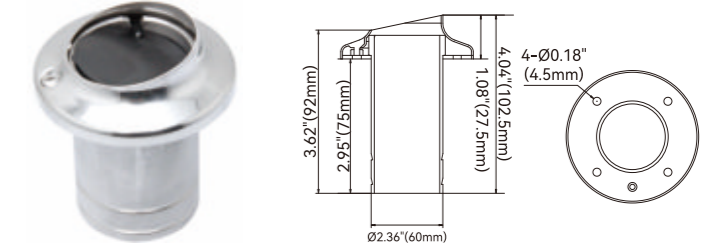
### #316 Tank Ventilator, Straight



Model	Size	Weight
SFTV02	5/8"(16mm)	144.5g



Model	Size	Weight
SFEP51-01	2"(51mm)	291.7g



Model	Size	Weight
SFEP60-01	2.36"(60mm)	372.8g

### #316 Gas Tank Vent, Angle

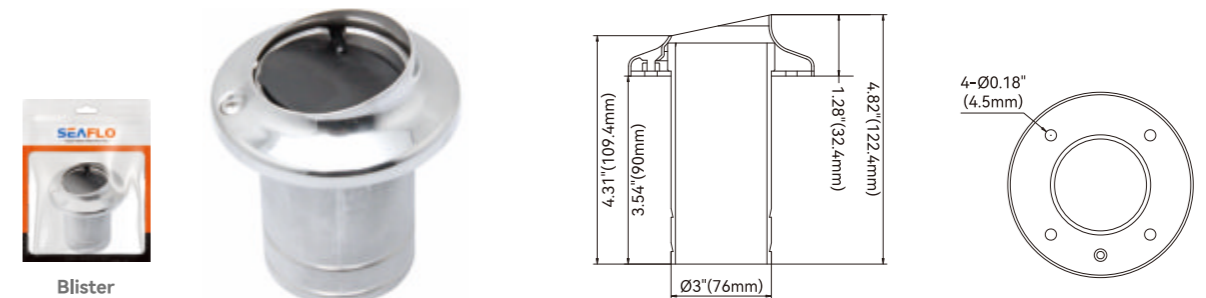


Model	Size	Weight
SFTV03	5/8"(16mm)	94.3g

### #316 Gas Tank Vent, Straight



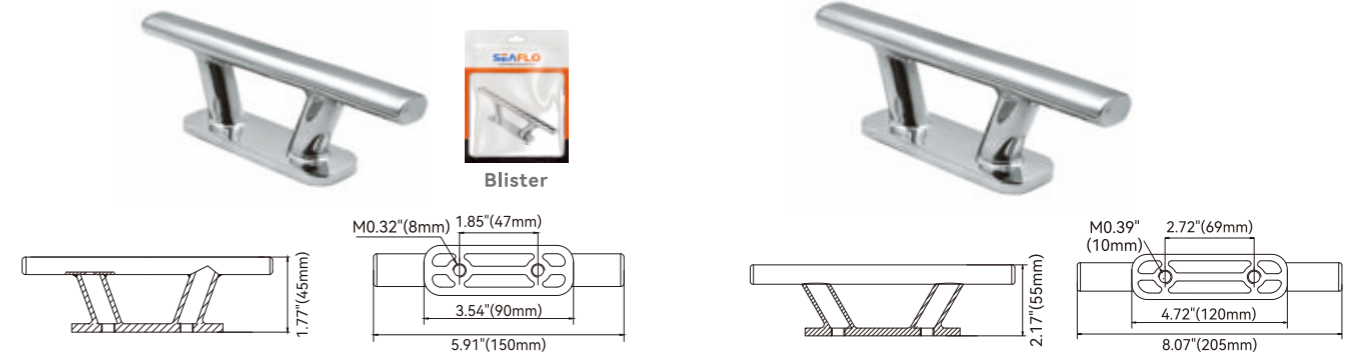
Model	Size	Weight
SFTV04	5/8"(16mm)	114.1g



Model	Size	Weight
SFEP76-01	3"(76mm)	508g



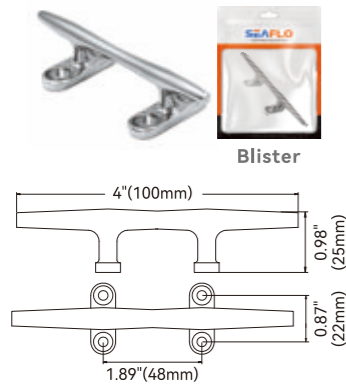
#316 Cleat



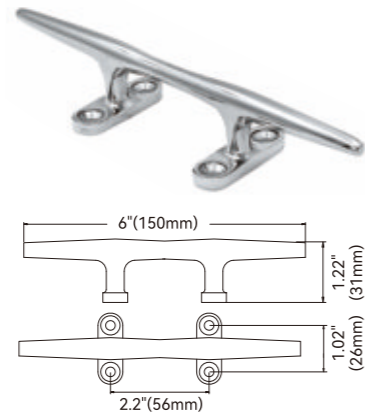
Model	Length	Base Size	Center hole	Height	Weight
SFSC-006-03	5.91" (150mm)	3.54"x1.18" (90x30mm)	1.85" (47mm)	1.77" (45mm)	211g

Model	Length	Base Size	Center hole	Height	Weight
SFSC-008-03	8.07" (205mm)	4.72"x1.38" (120x35mm)	2.72" (69mm)	2.17" (55mm)	354.7g

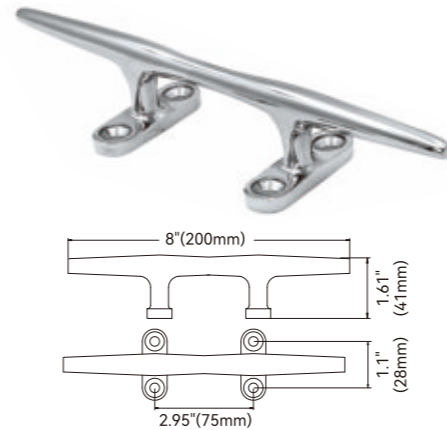
Hollow Base Cleat, Light Duty AISI 316



Model	Size	Weight
SFSC-004-01	4"	56g

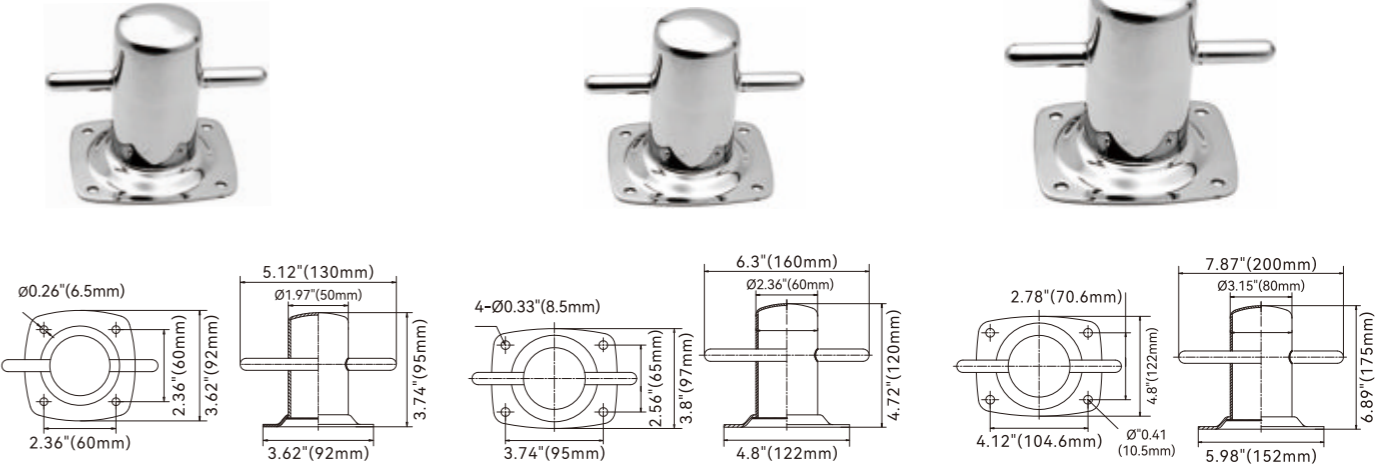


Model	Size	Weight
SFSC-006-01	6"	147g



Model	Size	Weight
SFSC-008-01	8"	256.8g

Bollard, Stamped, AISI 316

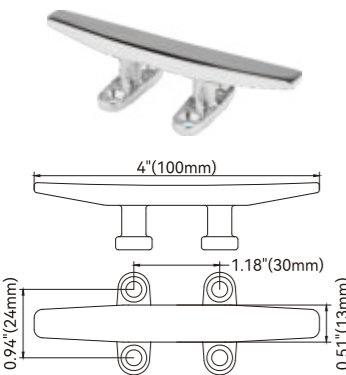


Model	Size	Height	Weight
SFSC-095-05	3.62"x3.62" (92x92mm)	3.74" (95mm)	367.5g

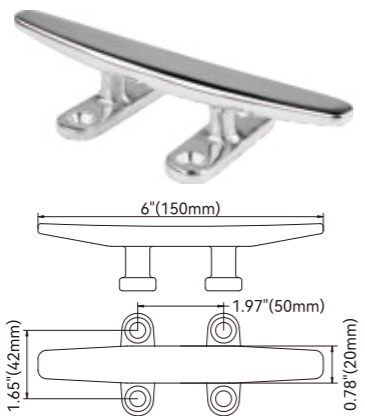
Model	Size	Height	Weight
SFSC-120-05	3.8"x4.8" (97x122mm)	4.72" (120mm)	618g

Model	Size	Height	Weight
SFSC-172-05	4.8"x5.98" (122x152mm)	6.89" (175mm)	1254.4g

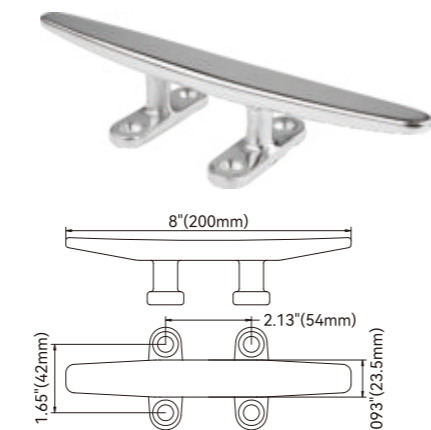
#316 Cleat



Model	Size	Weight
SFSC-004-02	4"	82.8g

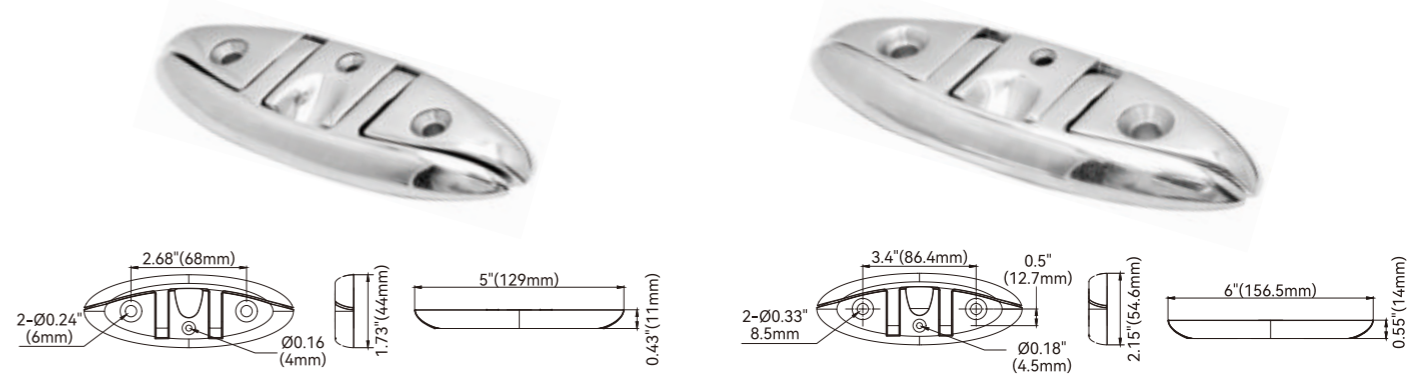


Model	Size	Weight
SFSC-006-02	6"	232.4g



Model	Size	Weight
SFSC-008-02	8"	362g

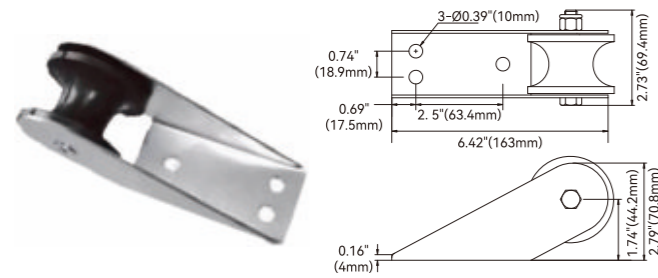
#316 Foldable Cleat



Model	Size	Weight
SFSC-005-04	5"	208g

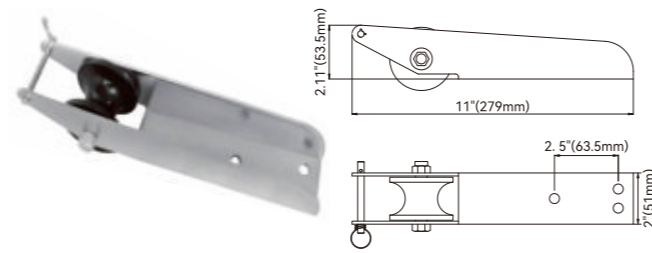
Model	Size	Weight
SFSC-006-04	6"	418.6g

### AISI 316 Small Bow Roller



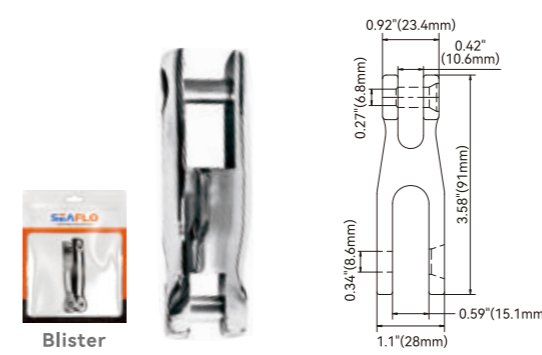
Model	Length	Width	Height	Roller	Weight
SFAR-01	6.1"(155mm)	2"(51mm)	2.79"(70.8mm)	2-1/2"x1-3/4"	360g

### AISI 316 Medium Bow Roller

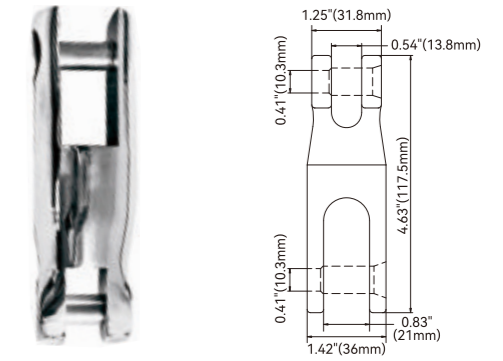


Model	Length	Width	Height	Roller	Weight
SFAR-02	11"(279mm)	2"(51mm)	2.11"(53.5mm)	2-1/2"x1-3/4"	760g

### AISI 316 Anchor Connector

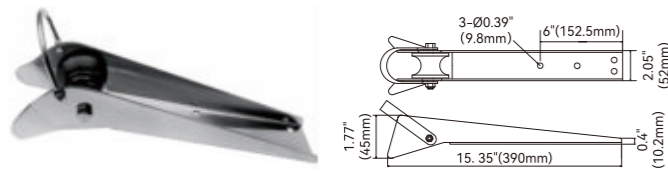


Model	Size	Suit chain	Weight
SFAC-90-02	3.54"(90mm)	6-8mm(1/4"-5/16")	178.4g



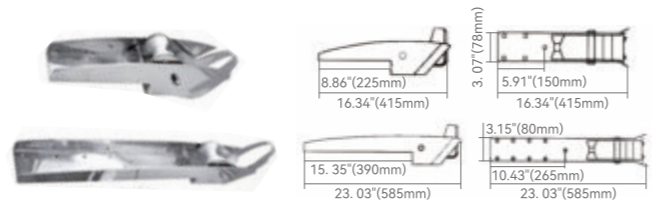
Model	Size	Suit chain	Weight
SFAC-115-02	4.53"(115mm)	10-12mm(3/8"-1/2")	458.8g

### AISI 316 Large Anchor Roller



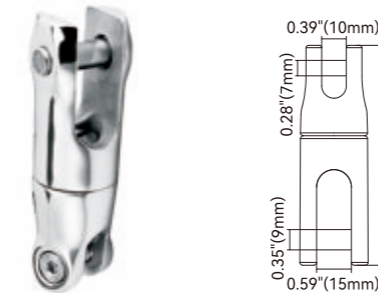
Model	Length	Width	Height	Roller	Weight
SFAR-03	15.35"(390mm)	2"(52 mm)	1.77"(45mm)	2-1/2"x1-3/4"	980g

### Selflauching Bow Rollers, AISI 316

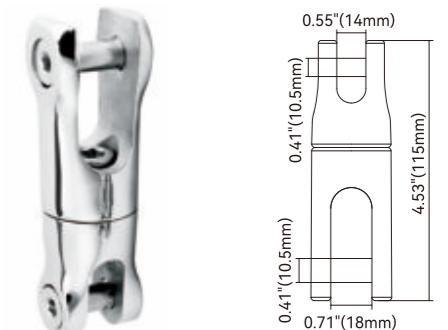


Model	Length	Width	Suit for anchor	Weight
SFAR-04	16.5"(425mm)	3.07"(78mm)	7.5-15kg	3.4kg
SFAR-05	23"(585mm)	3.15"(80mm)	10-20kg	4.8kg

### AISI 316 Swivel Anchor Chain

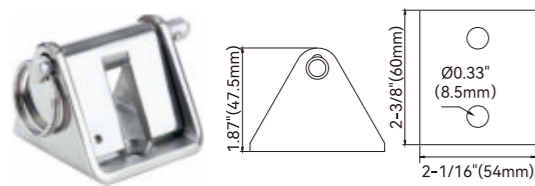


Model	Size	Suit chain	Weight
SFAC-90-03	3.54"(90mm)	6-8mm(1/4"-5/16")	220.9g

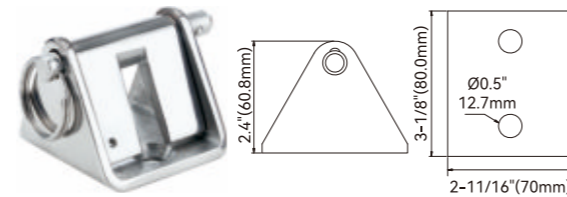


Model	Size	Suit chain	Weight
SFAC-115-03	4.53"(115mm)	10-12mm(3/8"-1/2")	473.1g

### AISI 316 Chain Stopper

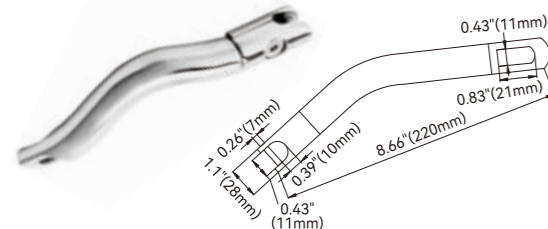


Model	Size	Suit chain	Weight
SFAC-60-01	60x54mm (2-3/8"x2-1/16")	6-8mm (1/4"-5/16")	292.5g

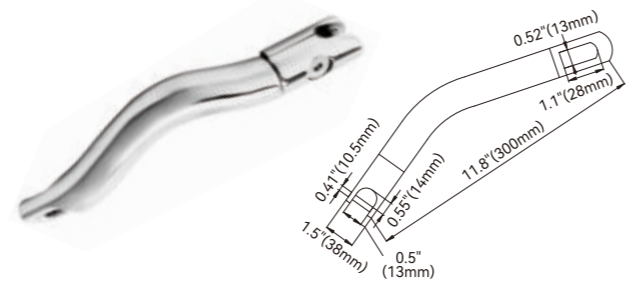


Model	Size	Suit chain	Weight
SFAC-80-01	80x70mm(3-1/8"x2-11/16")	8-10mm(5/16"-3/8")	674g

### AISI 316 Anchor Turner

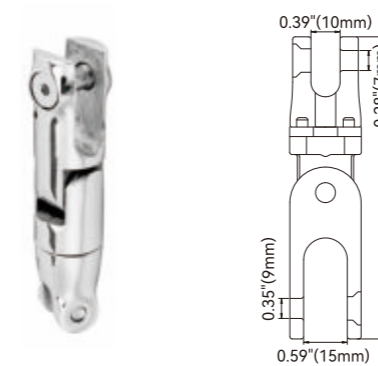


Model	Size	Suit chain	Weight
SFAC-220-05	8.66"(220mm)	6-8mm (1/4"-5/16")	923.6g

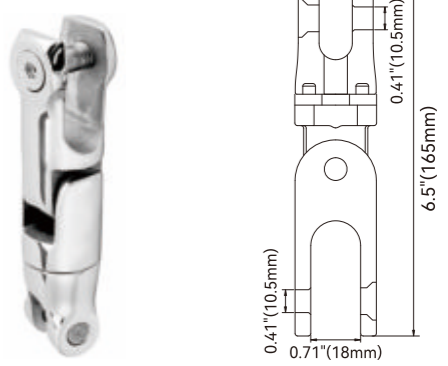


Model	Size	Suit chain	Weight
SFAC-300-05	11.8"(300mm)	10-12mm(3/8"-1/2")	2240g

### AISI 316 Double Swivel Anchor Chain



Model	Size	Suit chain	Weight
SFAC-116-04	4.57"(116mm)	6-8mm (1/4"-5/16")	338.1g

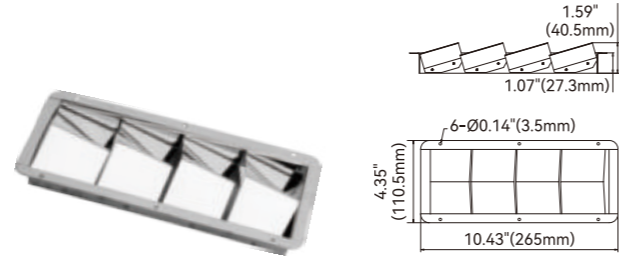


Model	Size	Suit chain	Weight
SFAC-165-04	6.5"(165mm)	10-12mm(3/8"-1/2")	657.6g

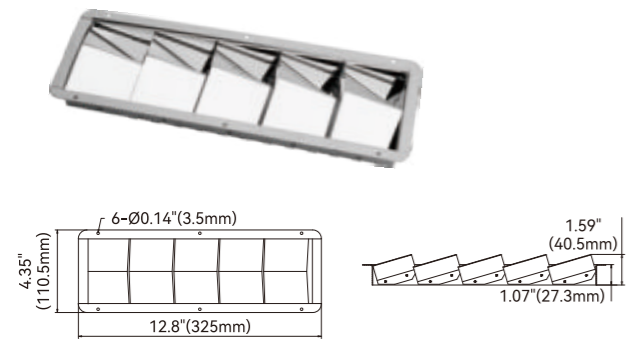
### #316 Louverd Vent



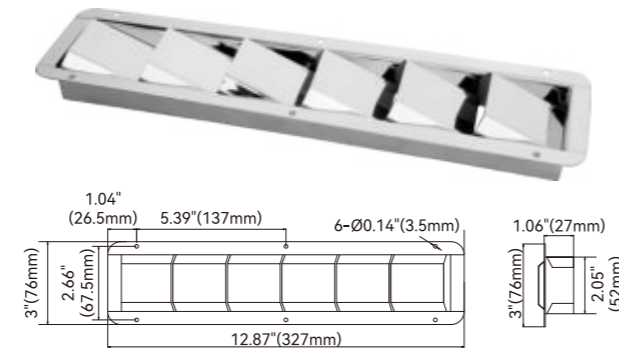
Model	Slots	Width x Height	Length	Weight
SFDV-110-120-05	3	4-3/8"x1-1/2"	8-1/4"	202.8g



Model	Slots	Width x Height	Length	Weight
SFDV-110-265-05	4	4-3/8"x1-1/2"	10"	255g



Model	Slots	Width x Height	Length	Weight
SFDV-110-325-05	5	4-3/8"x1-1/2"	12-7/8"	310g

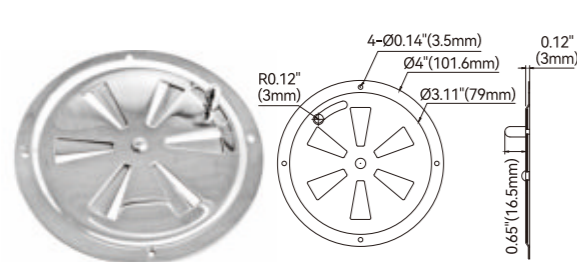


Model	Slots	Width x Height	Length	Weight
SFDV-75-330-05	6	3"x1-1/4"	12-7/8"	268g

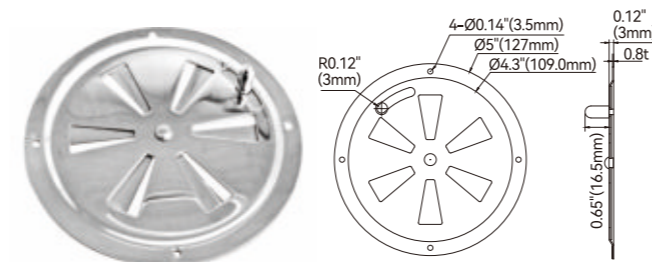


Model	Slots	Width x Height	Length	Weight
SFDV-75-430-05	8	3"x1-1/4"	16-13/16"	347.3g

### Butterfly Vent, AISI 304

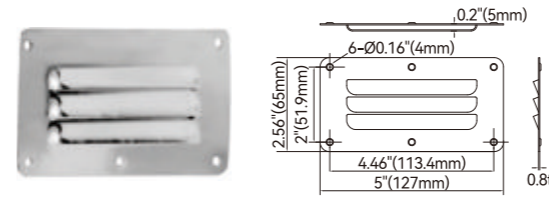


Model	Size	Weight
SFVC-04-03	4"	75.3g

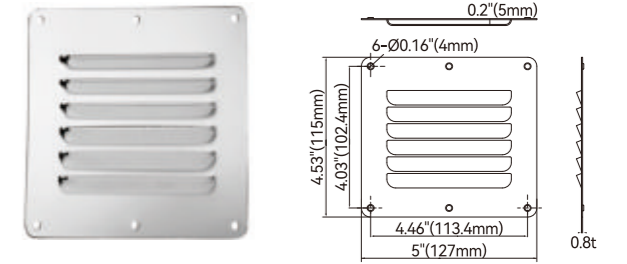


Model	Size	Weight
SFVC-05-03	5"	110g

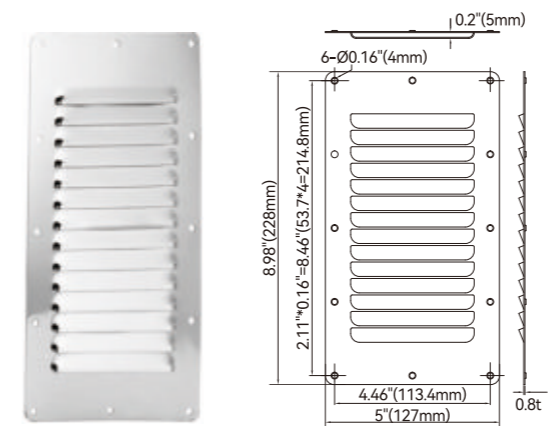
### Stainless Steel Louvered Vent



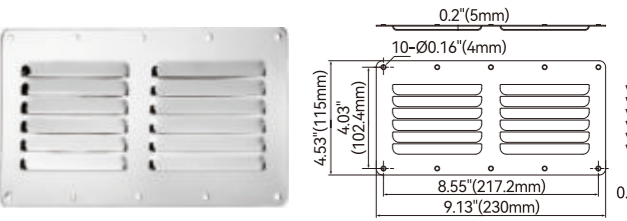
Model	Length	Height	Weight
SFDV-127-65-04	5" (127mm)	2.56" (65mm)	47.5g



Model	Length	Height	Weight
SFDV-115-127-04	4.53" (115mm)	5" (127mm)	90.5g

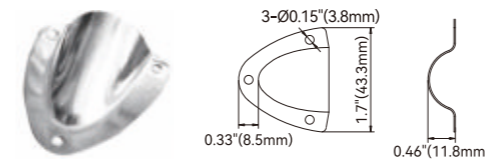


Model	Length	Height	Weight
SFDV-127-228-04	5" (127mm)	8.97" (228mm)	180g

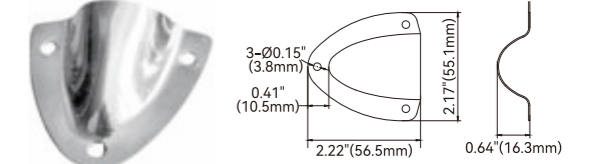


Model	Length	Height	Weight
SFDV-230-115-04	9.13" (230mm)	4.53" (115mm)	167g

### Midget Vent, AISI 316



Model	Size	Weight
SFDV-44-06	1.7"x1.67" (43.3x42.4mm)	5g

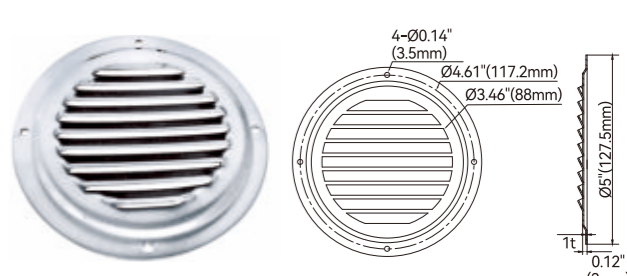


Model	Size	Weight
SFDV-56-06	2.22"x2.17" (56.5x55.1mm)	10g

### Round Louvered Vent, AISI 304

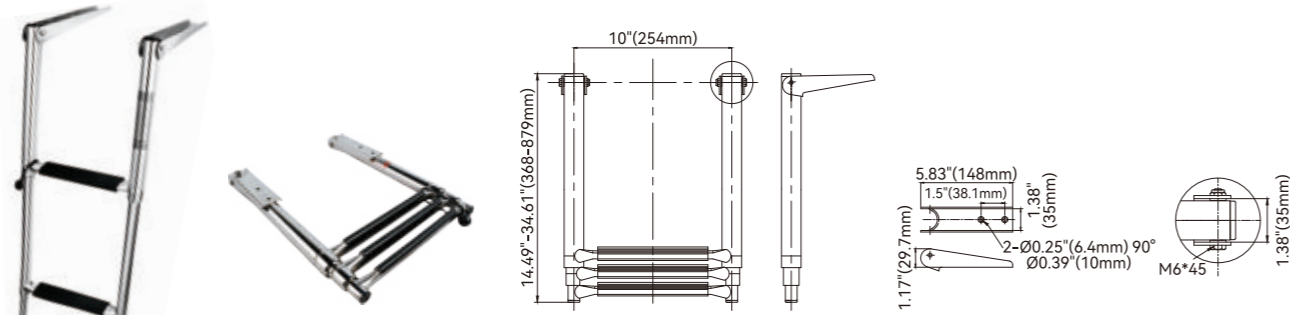


Model	Size	Weight
SFVC-04-04	4"	64g



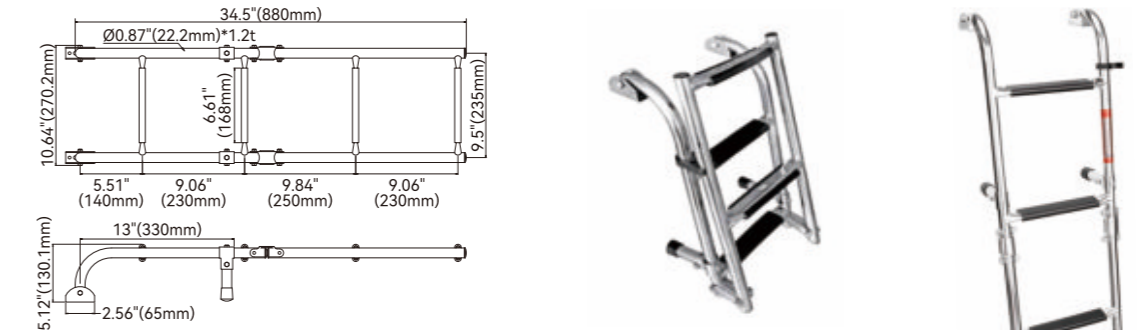
Model	Size	Weight
SFVC-05-04	5"	92.2g

### Telescoping Drop Ladder, Mirror Polished

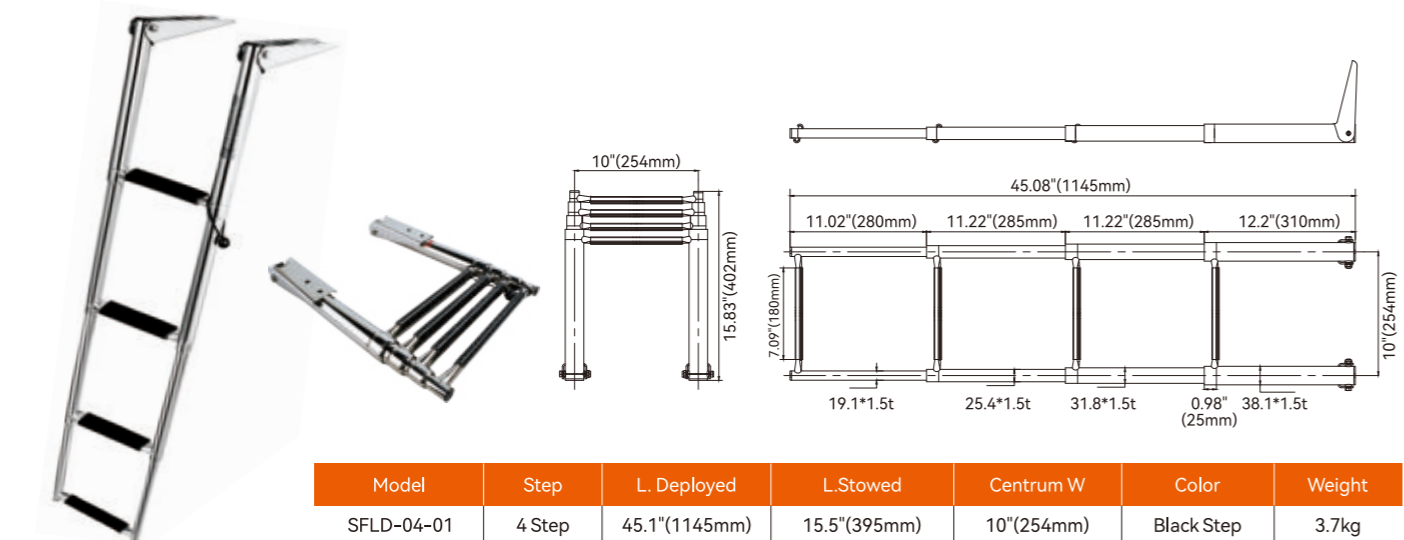


Model	Step	L. Deployed	L.Stowed	Centrum W	Color	Weight
SFLD-03-01	3 Step	35"(875mm)	14.5"(370mm)	10"(254mm)	Black Step	2.44kg

### AISI 316 Folding Ladder, Mirror Polished

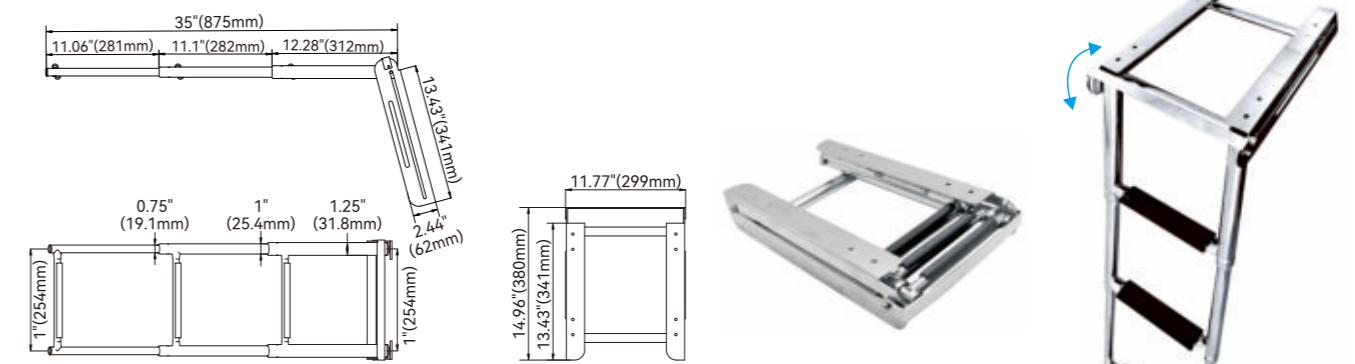


Model	Step	L. Deployed	L.Stowed	Centrum W	Material	Color	Weight
SFLD-04-02	2+2=4 step	34.5"(880mm)	18"(450mm)	9.5"(235mm)	Plastic step	Black Step	2.3kg



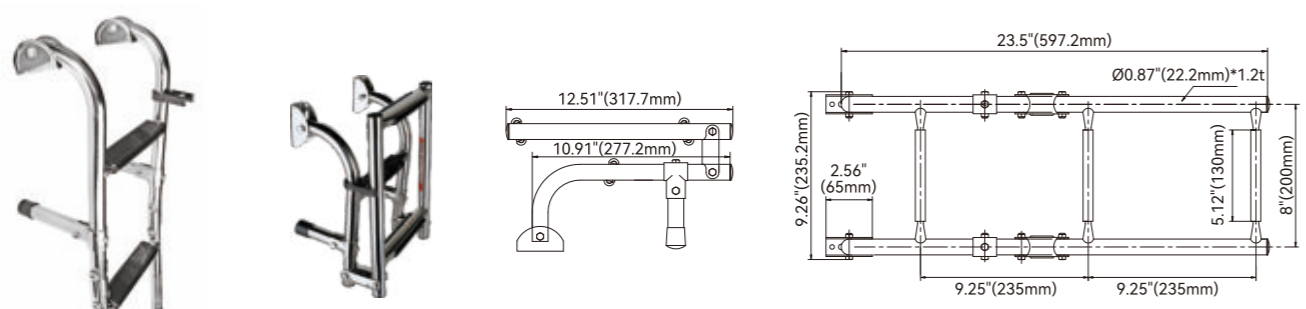
Model	Step	L. Deployed	L.Stowed	Centrum W	Color	Weight
SFLD-04-01	4 Step	45.1"(1145mm)	15.5"(395mm)	10"(254mm)	Black Step	3.7kg

### Bracket Telescopic Ladder With Stopper, Mirror Polished



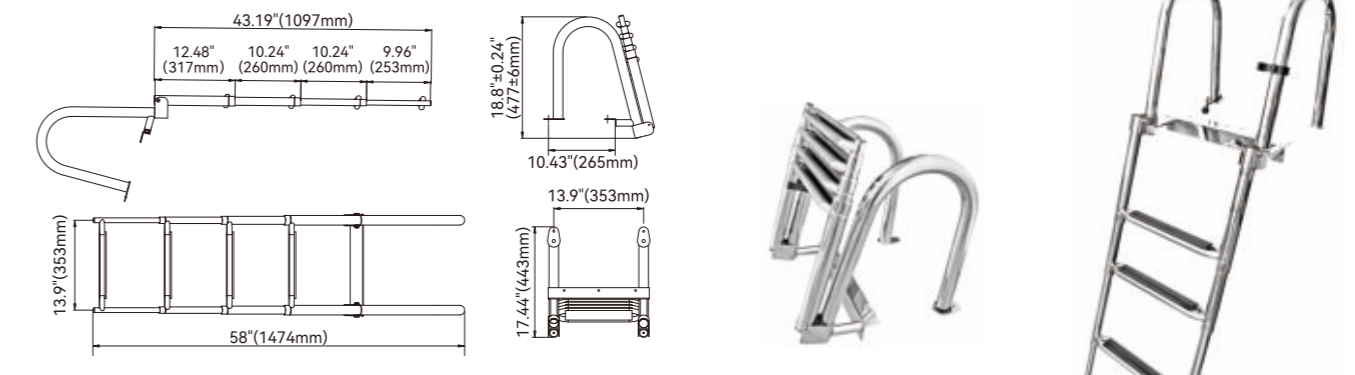
Model	Step	Width	L. Deployed	Color	Weight
SFLD-03-03	3 Step	10"(254mm)	35"(875mm)	Black Step	3.73kg

### AISI 316 Folding Ladder, Mirror Polished



Model	Step	L. Deployed	L.Stowed	Centrum W	Material	Color	Weight
SFLD-03-02	1+2=3 step	24"(600mm)	12.6"(320mm)	8"(200mm)	Plastic step	Black Step	1.71kg

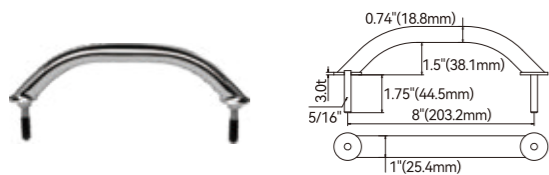
### Heavy Handrail Ladder With Double Tube Step



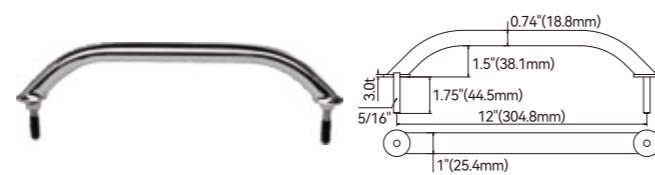
Model	Step	L. Deployed	L.Stowed	Centrum W	Weight
SFLD-04-04	4 Step	58"(1474mm)	18.8"(477mm)	13.9"(353mm)	7.42kg



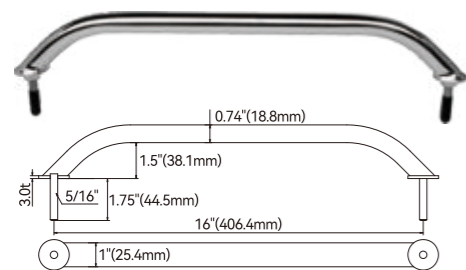
### Heavy Duty Oval Handrail



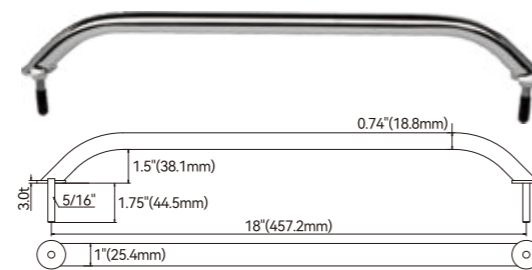
Model	Stud	Overall length	Weight
SFHD3-08-01	M0.32"x1.97"(8x50mm)	8-5/8"	218g



Model	Stud	Overall length	Weight
SFHD3-12-01	M0.32"x1.97"(8x50mm)	12"	267.4g

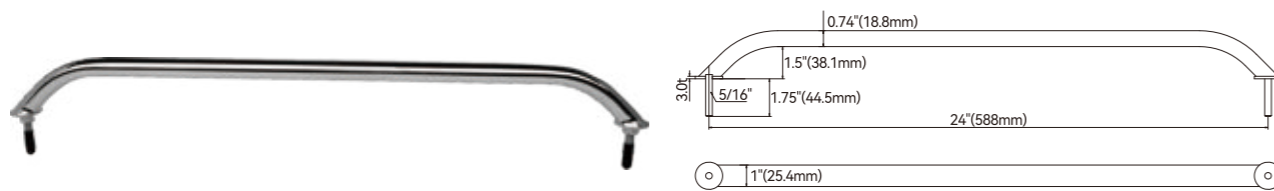


Model	Stud	Overall length	Weight
SFHD3-16-01	M0.32"x1.97"(8x50mm)	16"	325g



Model	Stud	Overall length	Weight
SFHD3-18-01	M0.32"x1.97"(8x50mm)	18"	353.5g

### Heavy Duty Oval Handrail

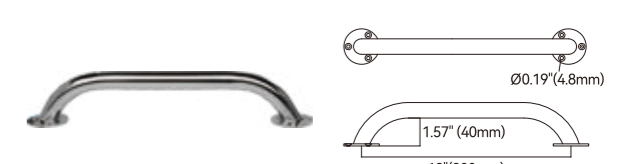


Model	Stud	Overall length	Weight
SFHD3-24-01	M0.32"x1.97"(8x50mm)	24"	444g

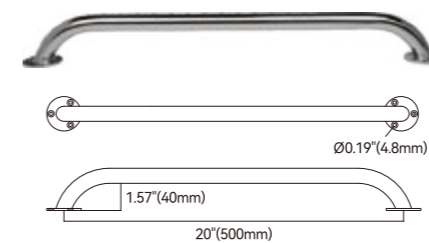
### #316 Round Handrail, Welded Round Base



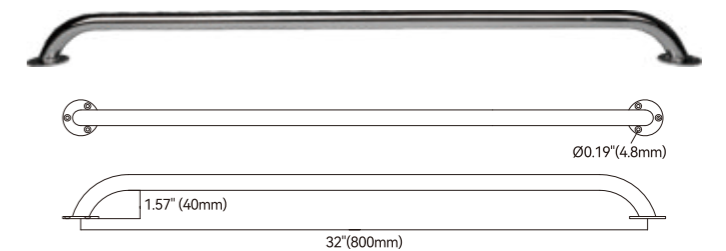
Model	Round	Length	Weight
SFHD3-08-02	0.87"(22mm)	8"(200mm)	217.6g



Model	Round	Length	Weight
SFHD3-12-02	0.87"(22mm)	12"(300mm)	274.6g



Model	Round	Length	Weight
SFHD3-20-02	0.87"(22mm)	20"(500mm)	390.4g

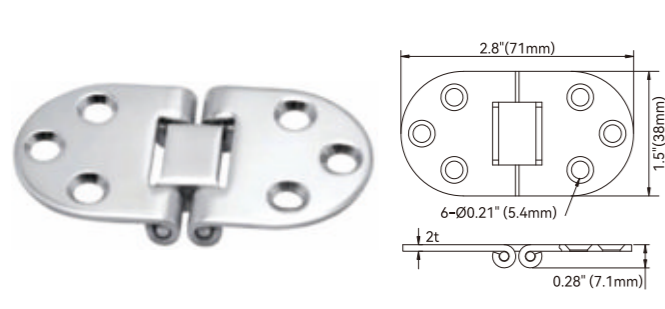


Model	Round	Length	Weight
SFHD3-32-02	0.87"(22mm)	32"(800mm)	560g

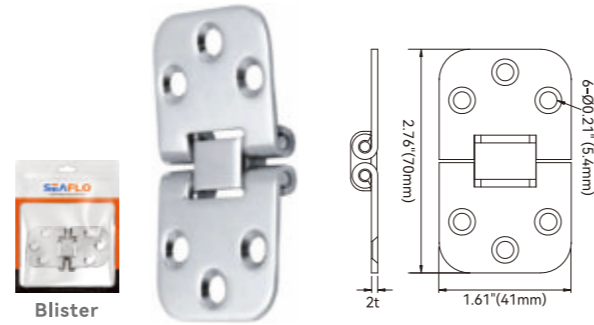


Model	Round	Length	Weight
SFHD3-40-02	0.87"(22mm)	40"(1000mm)	677.8g

### Stainless Steel Hinge, Stamped

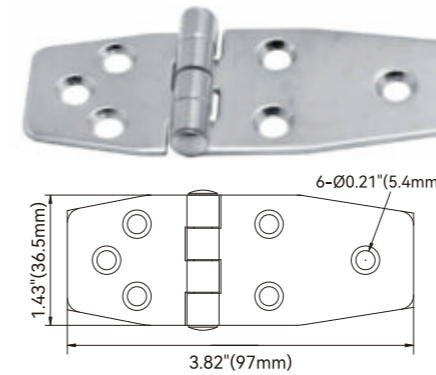


Model	Size	Weight
SFHS-01	2.8"x1.5"(71x38mm)	40g

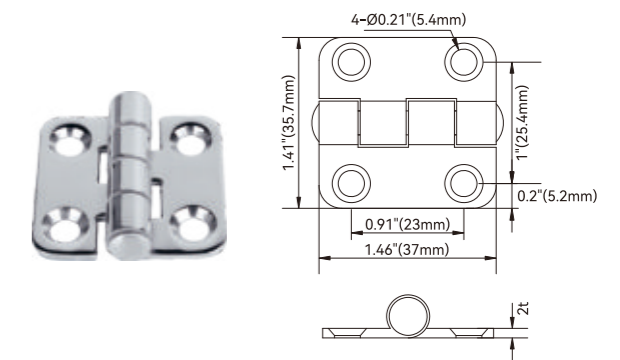


Model	Size	Weight
SFHS-02	2.76"x1.61"(70x41mm)	50g

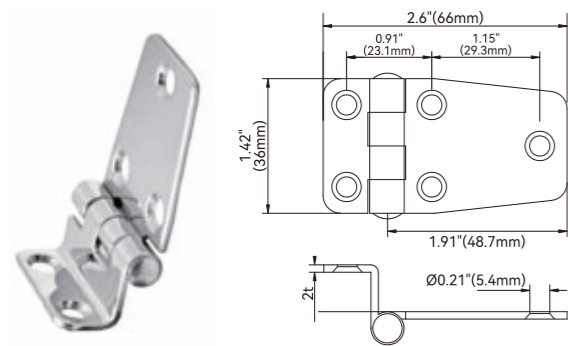
### Stainless Steel Hinge, Stamped



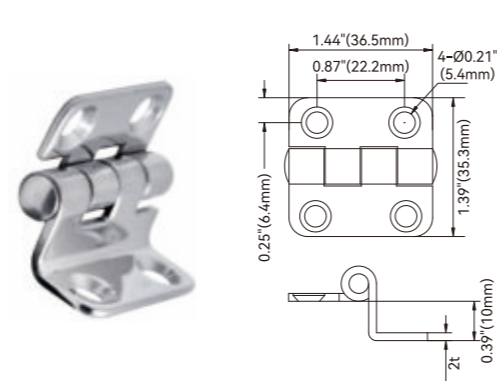
Model	Size	Weight
SFHS-07	1.43"x3.82"(36.5x97mm)	54g



Model	Size	Weight
SFHS-08	1.43"x1.41"(36.5x35.7mm)	30g

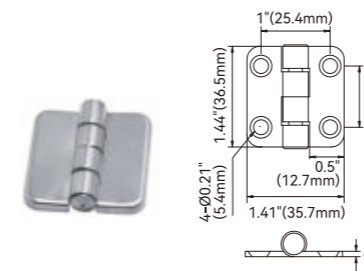


Model	Size	Weight
SFHS-03	2.6"x1.42"x0.5"(66x36x12.7mm)	53g

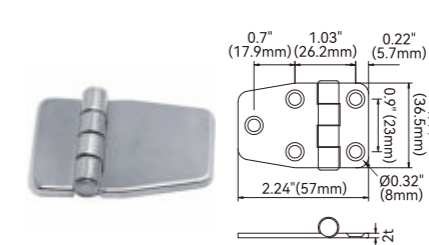


Model	Size	Weight
SFHS-04	1.38"x1.38"x0.39"(35x35x10mm)	28g

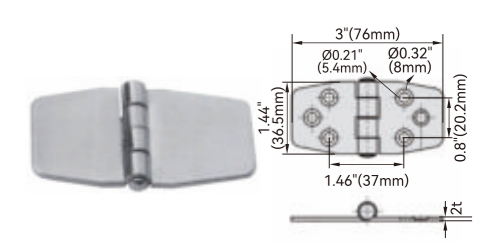
### Hinge With Cover, Mirror Polished AISI 316



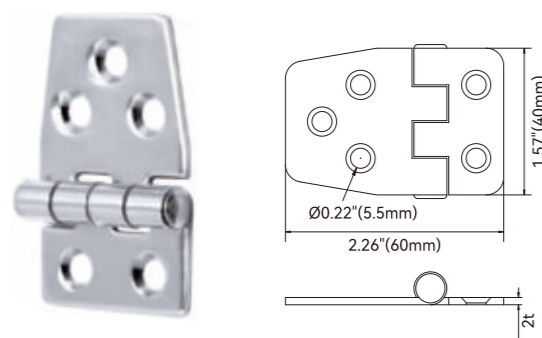
Model	Size	Weight
SFHS-09	1.57"x1.57"x0.08"(40x40x2mm)	36g



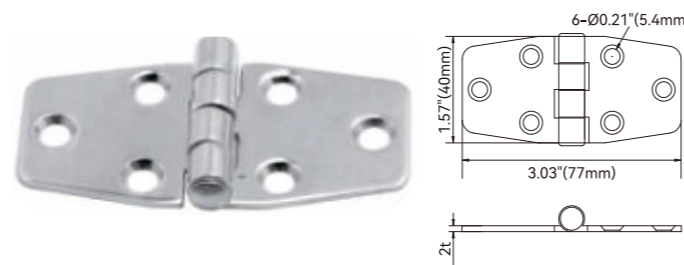
Model	Size	Weight
SFHS-10	1.57"x2.32"x0.08"(40x59x2mm)	47g



Model	Size	Weight
SFHS-11	1.57"x3"(40x76mm)	59g



Model	Size	Weight
SFHS-05	1.57"x2.36"x0.08"(40x60x2mm)	47g



Model	Size	Weight
SFHS-06	1.57"x3.03"(40x77mm)	46g

### #316 Door Holder

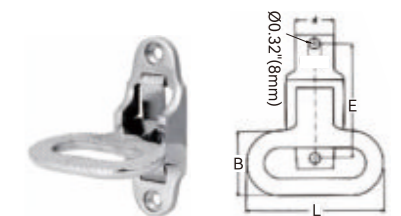


Model	Base size	Height	Weight
SFDH-01	1-9/16"x1-5/16"(40x32mm)	1-5/8"(40mm)	96g



Model	Base size	Height	Weight
SFDH-02	1-1/16"x1-1/8"(26.5x28mm)	1-1/2"(38mm)	43g

### #316 Foldable Step



Model	L	B	E	Weight
SFFS-01	3.15"(80mm)	1.97"(50mm)	3.54"(90mm)	328g

### #316 Flush Pull Slam Latch



Model	Cut-out	Diameter	Deck thickness	Weight
SFSL-01	1.97"	2.4"	0.31"-0.87"	243g

Model	Cut-out	Diameter	Deck thickness	Weight
SFSL-02	1.97"	2.4"	0.08"-0.28"	253g

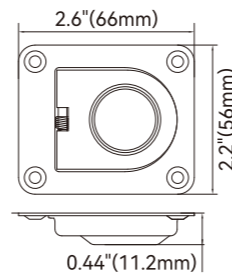
Model	Cut-out	Diameter	Deck thickness	Weight
SFSL-03	1.97"	2.44"	0.28"-0.59"	307g

### #316 Pull Flush Lift



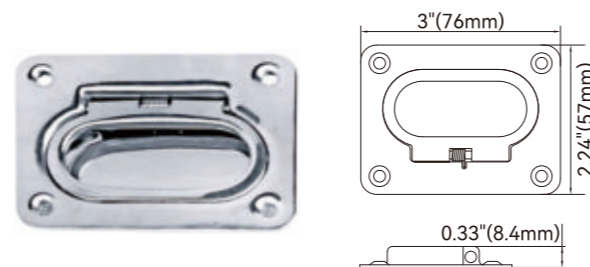
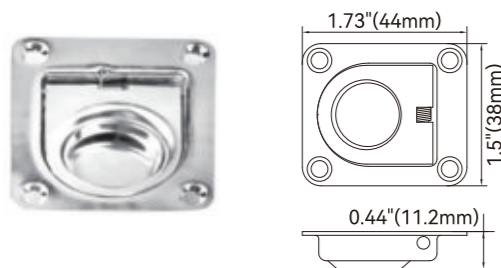
Model	Size	Weight
SFSL-04	3"x2.28"(76x58mm)	132g

Model	Size	Height	Weight
SFSL-05	2"(50mm)	0.71"(18mm)	83.6g



Model	Size	Height	Weight
SFSL-06	2"(50mm)	0.71"(18mm)	92.3g

Model	Dimension(L*W*H)	Weight
SFSL-07	2.6"x2.2"x0.44"(66x56x11.2mm)	40g

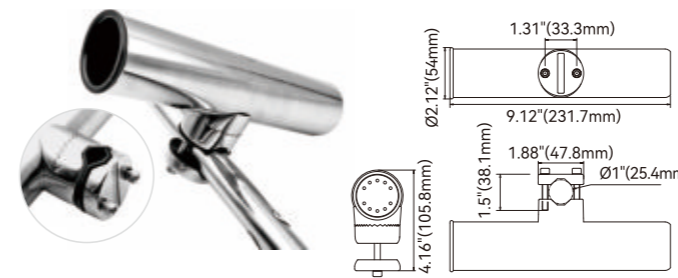


Model	Dimension(L*W*H)	Weight
SFSL-08	1.5"x1.73"x0.44"(38x44x11.2mm)	20g

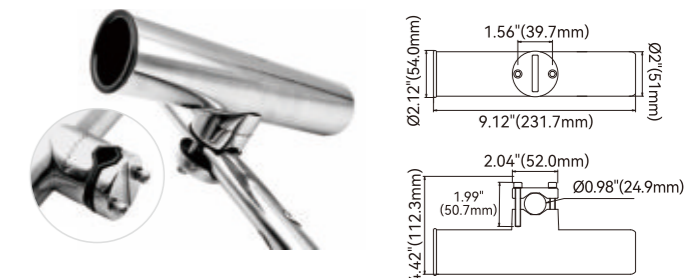
Model	Dimension(L*W*H)	Weight
SFSL-09	3"x2.24"x0.33"(76x57x8.4mm)	45g

### Stainless Steel Clamp-on Rod Holder

New improvement of clamp, with rubber plate protect rail.

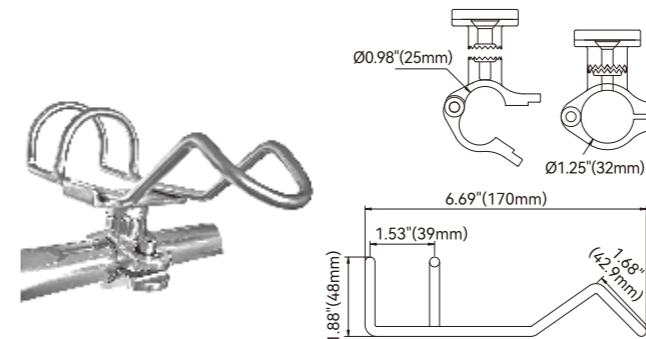


Model	Suitable Tube Size	I.D.	Length	Weight
SFRH03-01	7/8"-1"(22-25mm)	1-5/8"(42mm)	9"(230mm)	723g



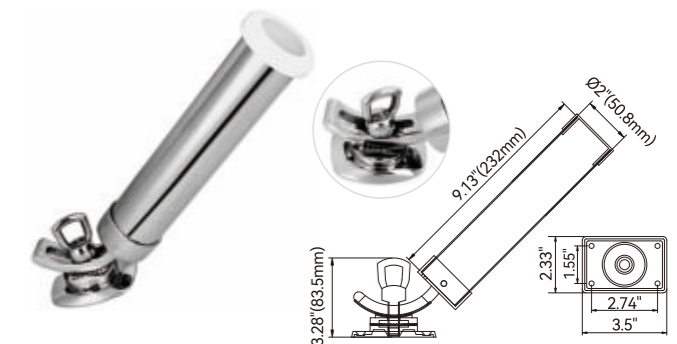
Model	Suitable Tube Size	I.D.	Length	Weight
SFRH03-02	1"-1.1/4"(25-32mm)	1-5/8"(42mm)	9"(230mm)	782.5g

### #316 Rail Rod Holder



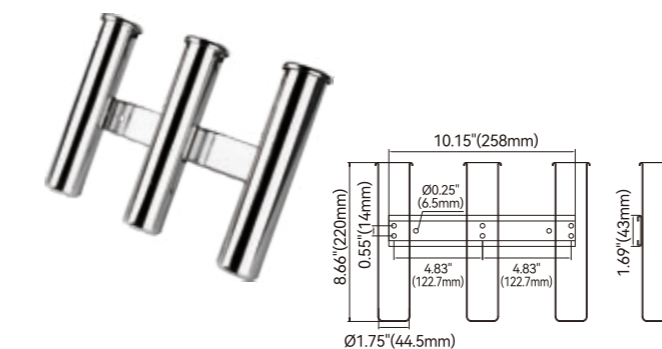
Model	Suit For Rail	Weight
SFRH05-01	1"	390g
SFRH05-02	1-1/4"	411g

### Decking Rod Holder, AISI 316

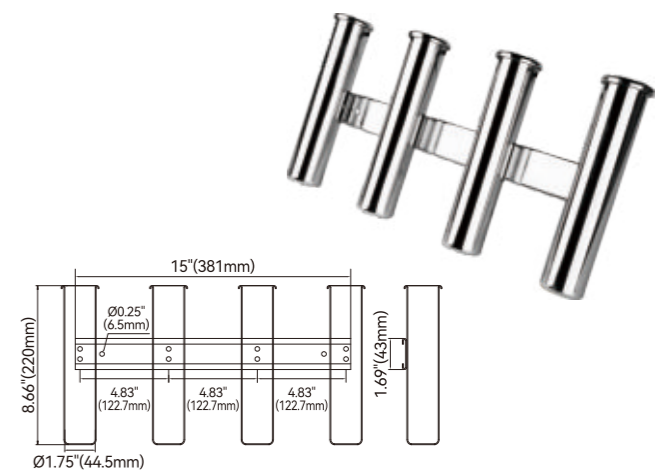


Model	Size	Weight
SFRH02-01	2"	1031.2g

### Tournament Rod Holder, AISI 316



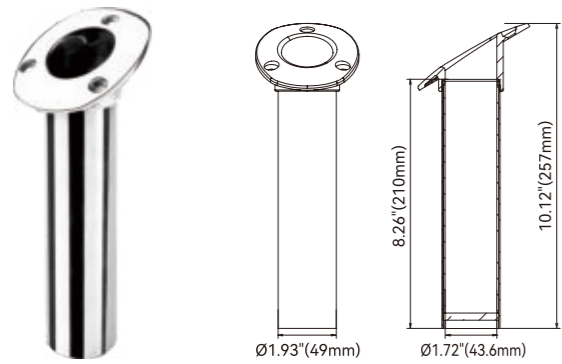
Model	I.D.	H x L	Rod	Weight
SFRH04-03-01	1-3/4"(45mm)	8.66"x10.5"(220x267mm)	3 Rod	980g



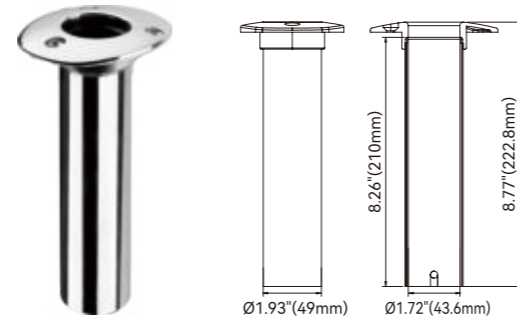
Model	I.D.	H x L	Rod	Weight
SFRH04-04-01	1-3/4"(45mm)	8.66"x15.1"(220x384mm)	4 Rod	1357.2g

### Heavy Duty Casted Head Rod Holder

AISI 316 heavy casted head which is very strong Hidden liner which is more streamlined  
Welded cast bar 1/4" wide \* 1/2" tall, excellent function



Model	Flange degree	Weight
SFRH01-30-01	30dr	783.2g

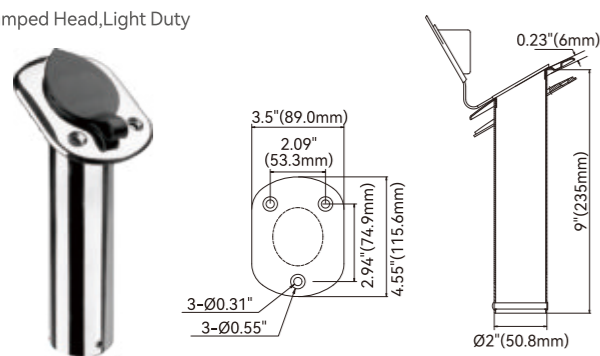


Model	Flange degree	Weight
SFRH01-90-01	90dr	713g

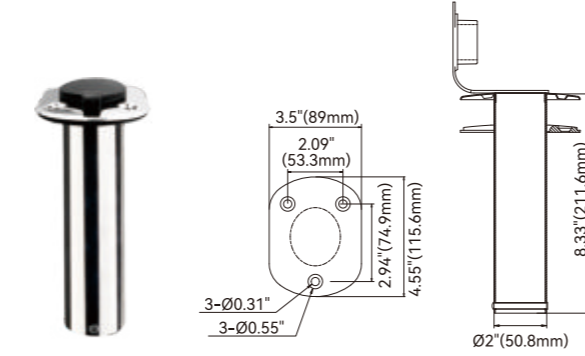


### Stainless Steel Rod Holder

Stamped Head, Light Duty



Model	Flange degree	Liner I.D.	Length	Weight
SFRH01-30-02	30dr	2"	9"	513.5g



Model	Flange degree	Liner I.D.	Length	Weight
SFRH01-90-02	90dr	2"	9"	488.8g

### Oval Type Downrigger Weight, Cast Iron Material And Lead Material



SFDW-04-01

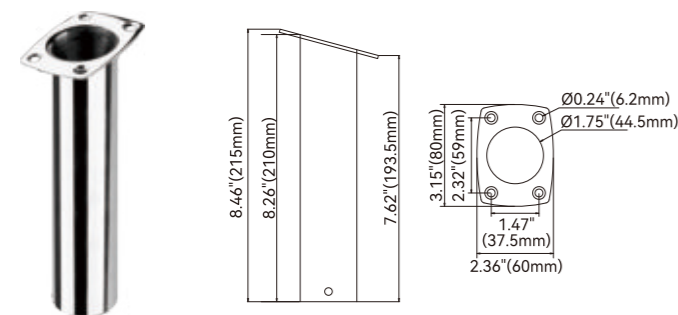
SFDW-06-01

SFDW-08-01

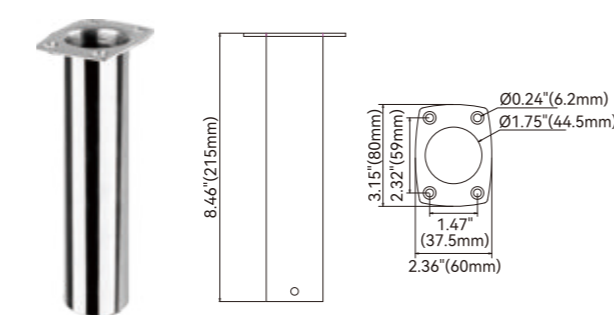
SFDW-10-01

SFDW-12-01

### Square Flush Rod Holder, AISI 316



Model	Flange degree	Liner I.D.	Length	Weight
SFRH01-15-03	15dr	1.57"	8.46"	301.7g



Model	Flange degree	Liner I.D.	Length	Weight
SFRH01-90-03	90dr	1.57"	8.46"	308.3g

Model	Size	Total Length
SFDW-04-01	4 lb	6.26" (159mm)
SFDW-06-01	6 lb	6.85" (174mm)
SFDW-08-01	8 lb	7.32" (186mm)
SFDW-10-01	10 lb	7.75" (197mm)
SFDW-12-01	12 lb	8.07" (205mm)

### Mushroom Anchor. Vinyl Coated



Model	SFAN-08-05	SFAN-10-05	SFAN-15-05	SFAN-20-05	SFAN-25-05
Size	8 lb	10 lb	15 lb	20 lb	25 lb

### River Anchor Vinyl Coated



Model	SFAN-12-06	SFAN-15-06	SFAN-18-06
Size	12 lb	15 lb	18 lb

### Navy Anchor Vinyl Coated



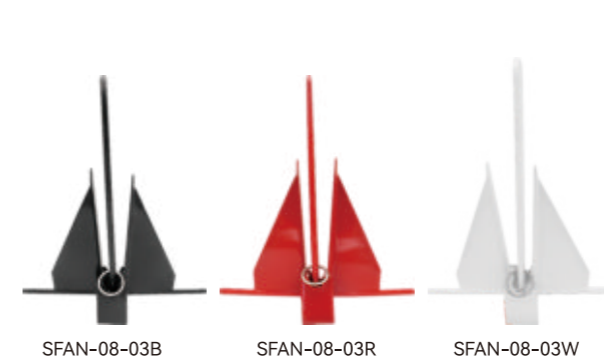
Model	Size	Model	Size	Model	Size
SFAN-10-07	10 lb	SFAN-15-07	15 lb	SFAN-20-07	20 lb

### Grapnel Anchor "A" Type



Model	SFAN-15-01	SFAN-25-01	SFAN-32-01
Size	1.5kg/3.5lb	2.5kg/5.5lb	3.2kg/7lb

### Slip Ring and Other Anchor Style



Model	Size	Color	Weight
SFAN-08-03B	#8	Black	3.56kg/7.85lb
SFAN-08-03R	#8	Red	
SFAN-08-03W	#8	White	

### Danforth Anchor, Hot Dip Galvanized



Model	Size	Weight
SFAN-08-02	#8	7.4kg/16.3lb
SFAN-13-02	#13	12.3kg/27.1lb

### Mountain Anchor and Hammer, Hot Dip Galvanized



Model	Size
SFAN-04	3.2kg/7lb

### Mountain Nail, Hot Dip Galvanized



Model	Size	Weight
SFMN-01	5.9" (150mm)	0.23kg/0.5lb

